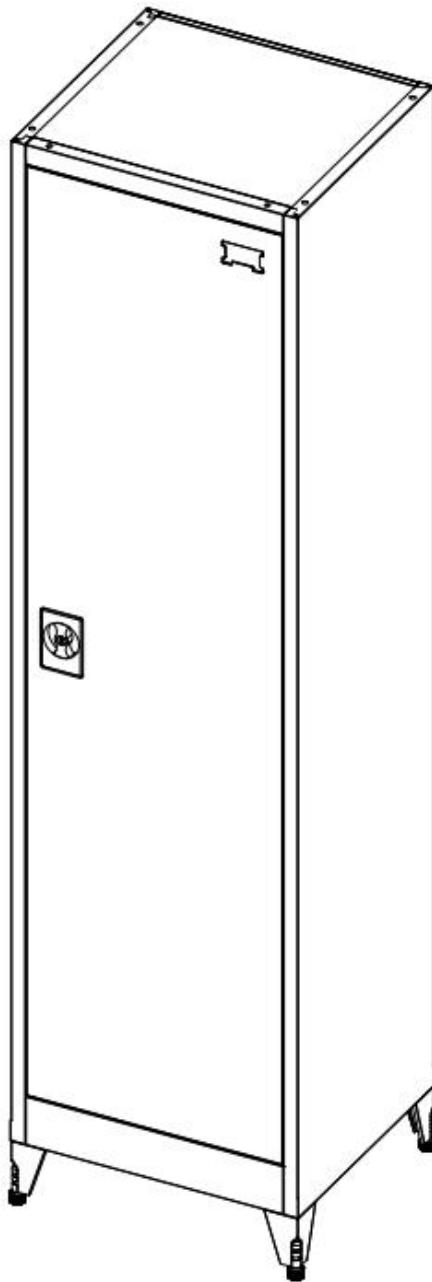


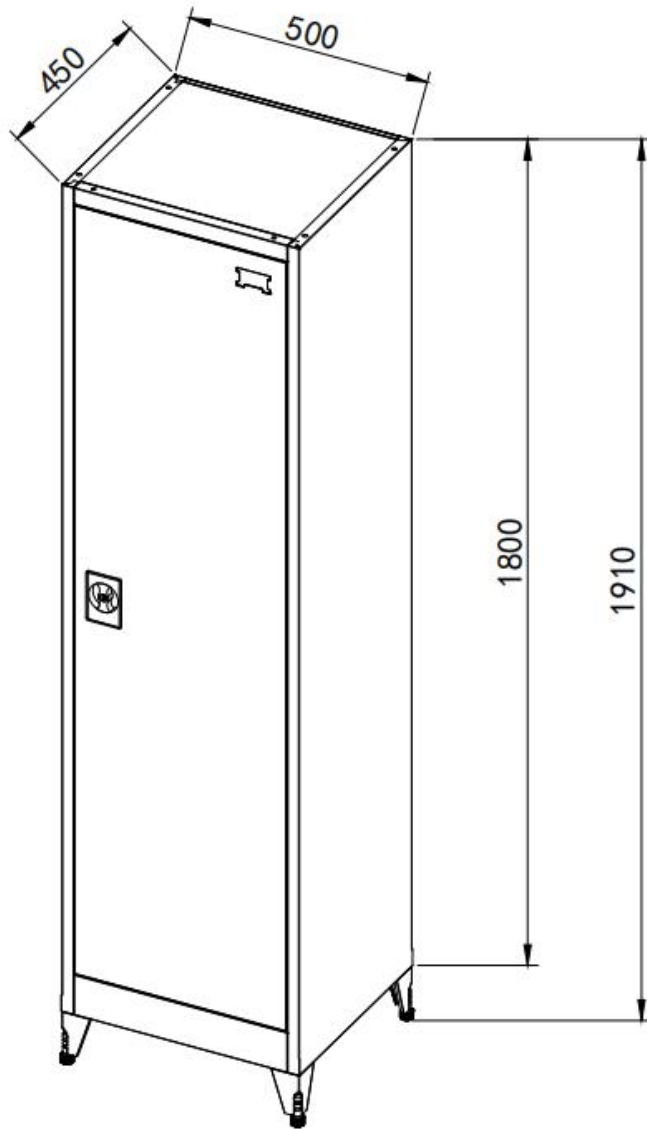
# Metal Wardrobe

---

Owner's Manual/  
Instruction for Assembly Model:452.004

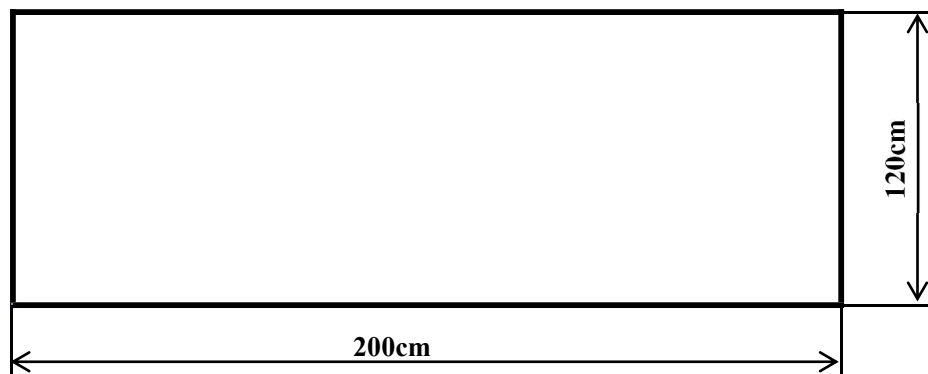


Size of Model:452.004

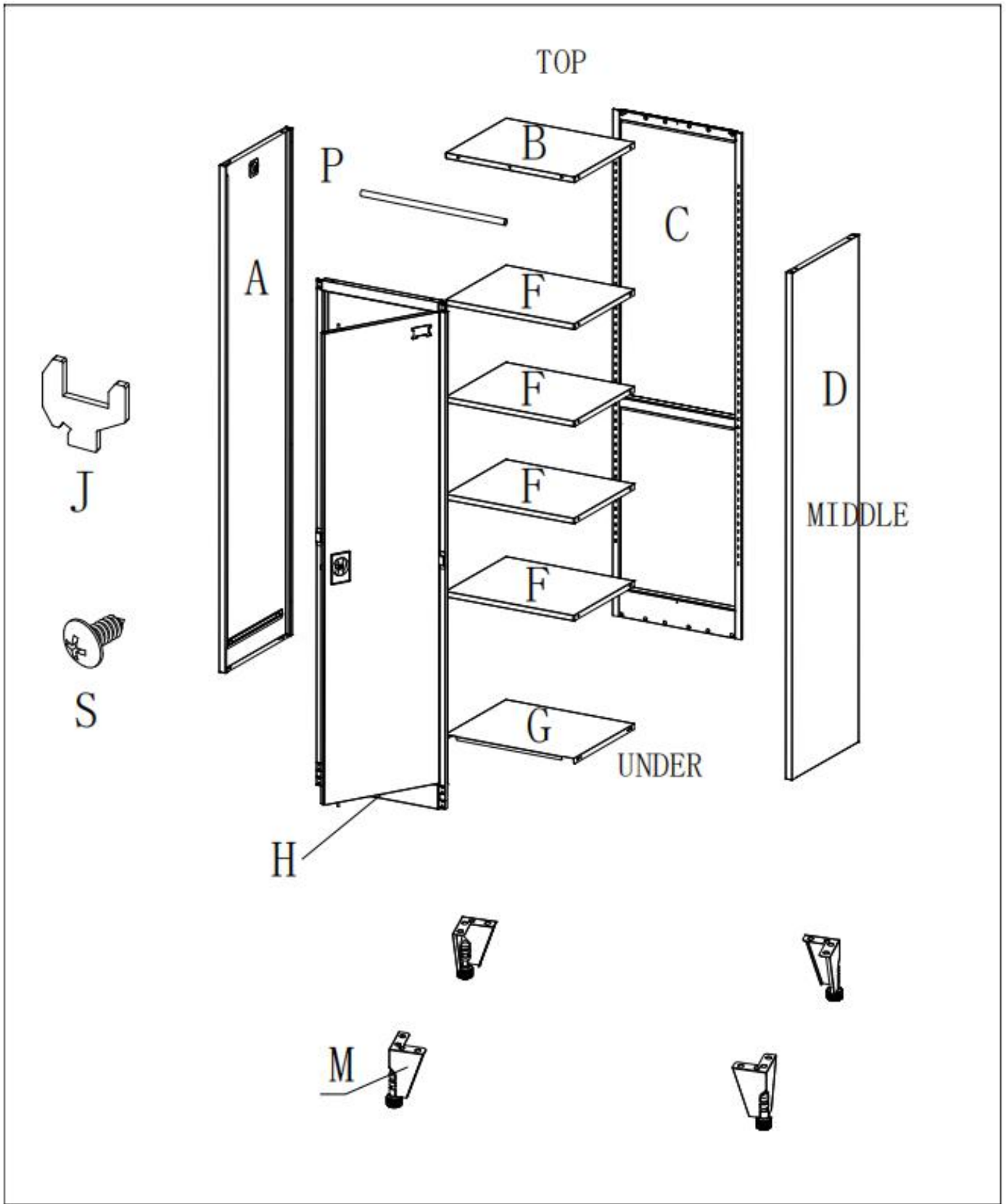


---



Area of installation requirement:



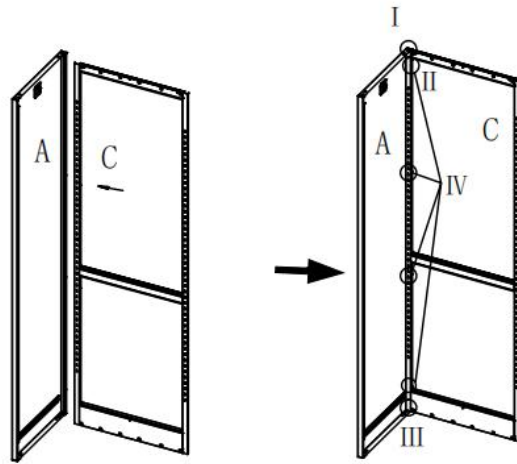
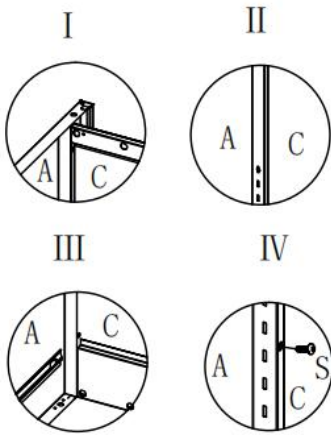
# Explosive View:



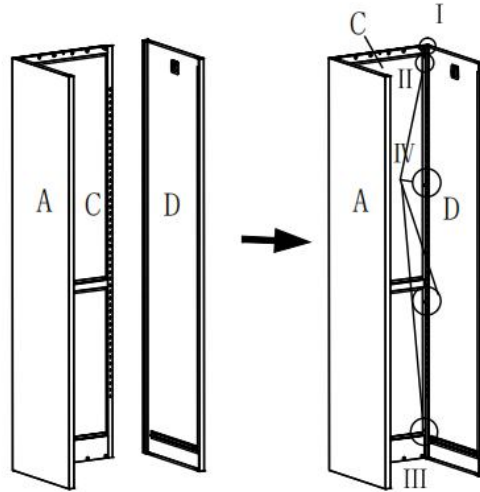
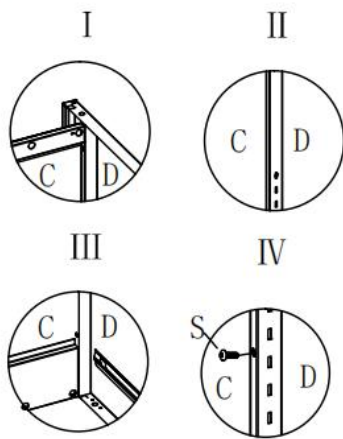
## Bill of Material:

No.	Size(mm)	Quantity(pc)
TOP		
B	410*497	x1
MIDDLE		
A	450*1800	x1
D	450*1800	x1
C	498*1798	x1
H	498*1800	x1
P	498	x1
F	409*497	x4
UNDER		
G	414*497	x1
M	60*60*110	x4
ANNEX		
J		x16
S		x31

1.



2.



3.

