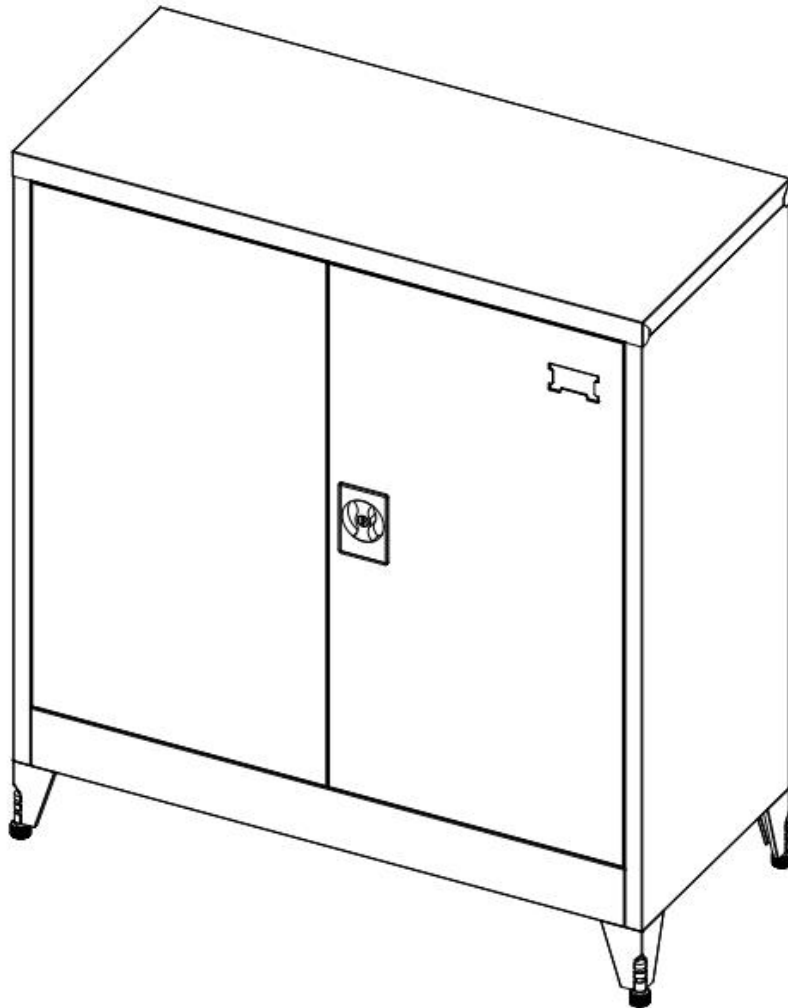


# Metal Wardrobe

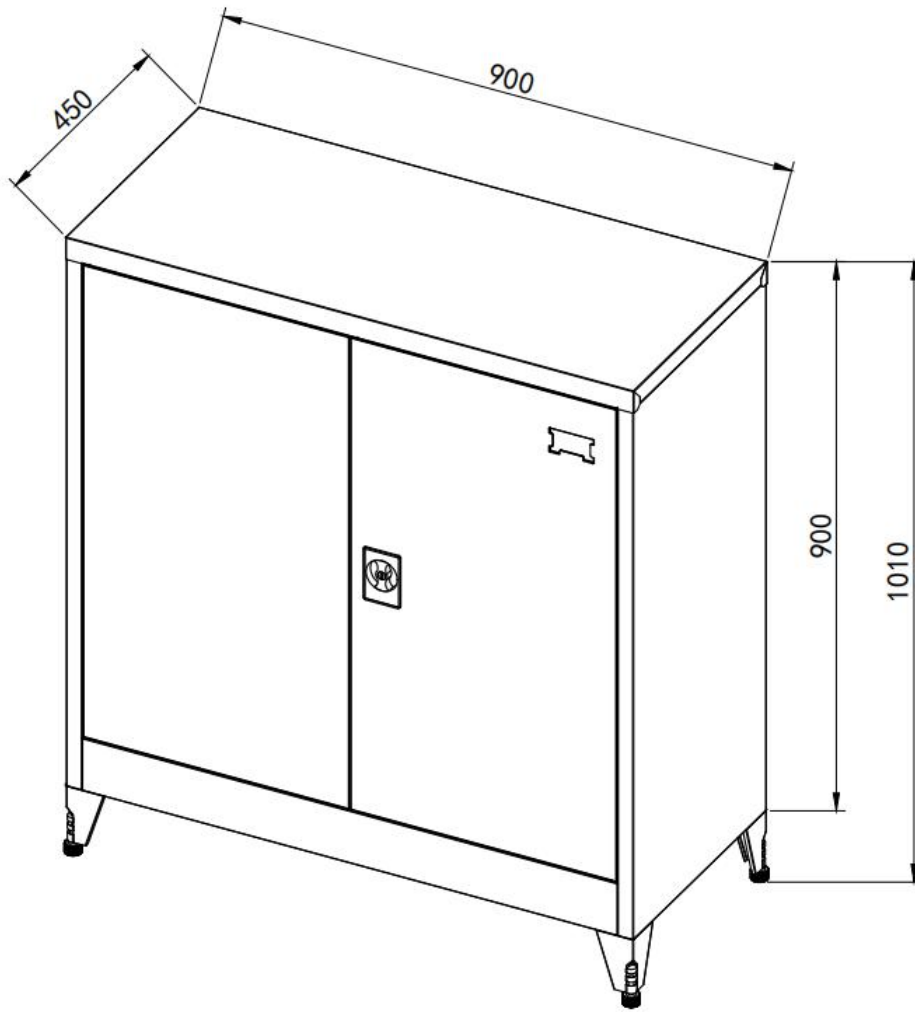
---

Owner's Manual/  
Instruction for Assembly Model:452.002



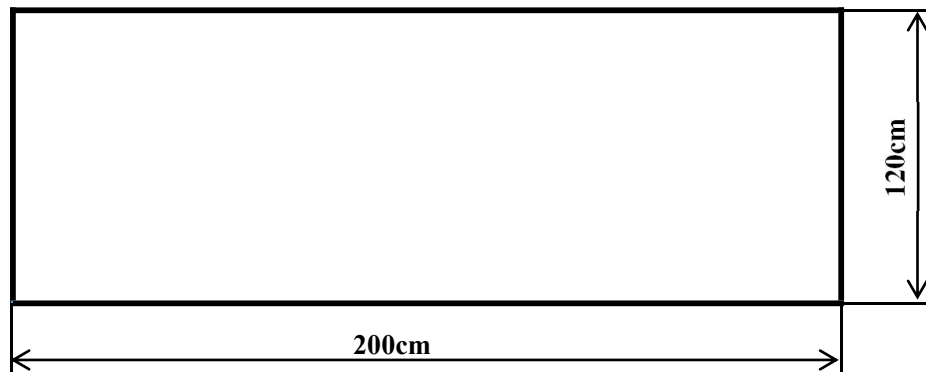
 apothiki365.gr

Size of Model:452.002

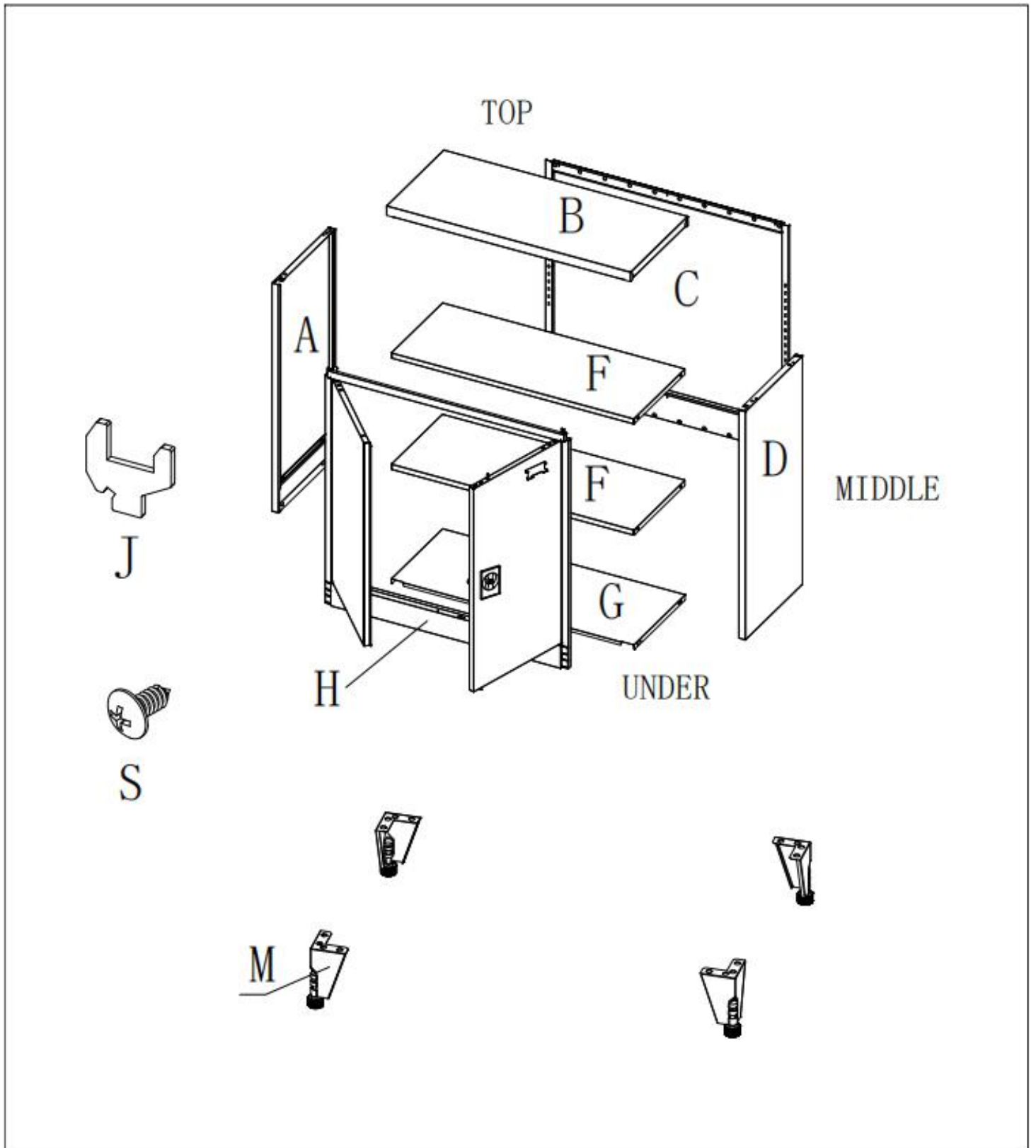


---



Area of installation requirement:



# Explosive View:



## Bill of Material:

| No.    | Size(mm)  | Quantity(pc) |
|--------|---|--------------|
| TOP    |   |              |
| B      | 451.5*902   | x1           |
| MIDDLE |   |              |
| A      | 450*870   | x1           |
| D      | 450*870   | x1           |
| C      | 868*898   | x1           |
| H      | 898*898   | x1           |
| F      | 409*897   | x2           |
| UNDER  |   |              |
| G      | 414*897   | x1           |
| M      | 60*60*110   | x4           |
| ANNEX  |   |              |
| J      |  | x8           |
| S      |  | x27          |

