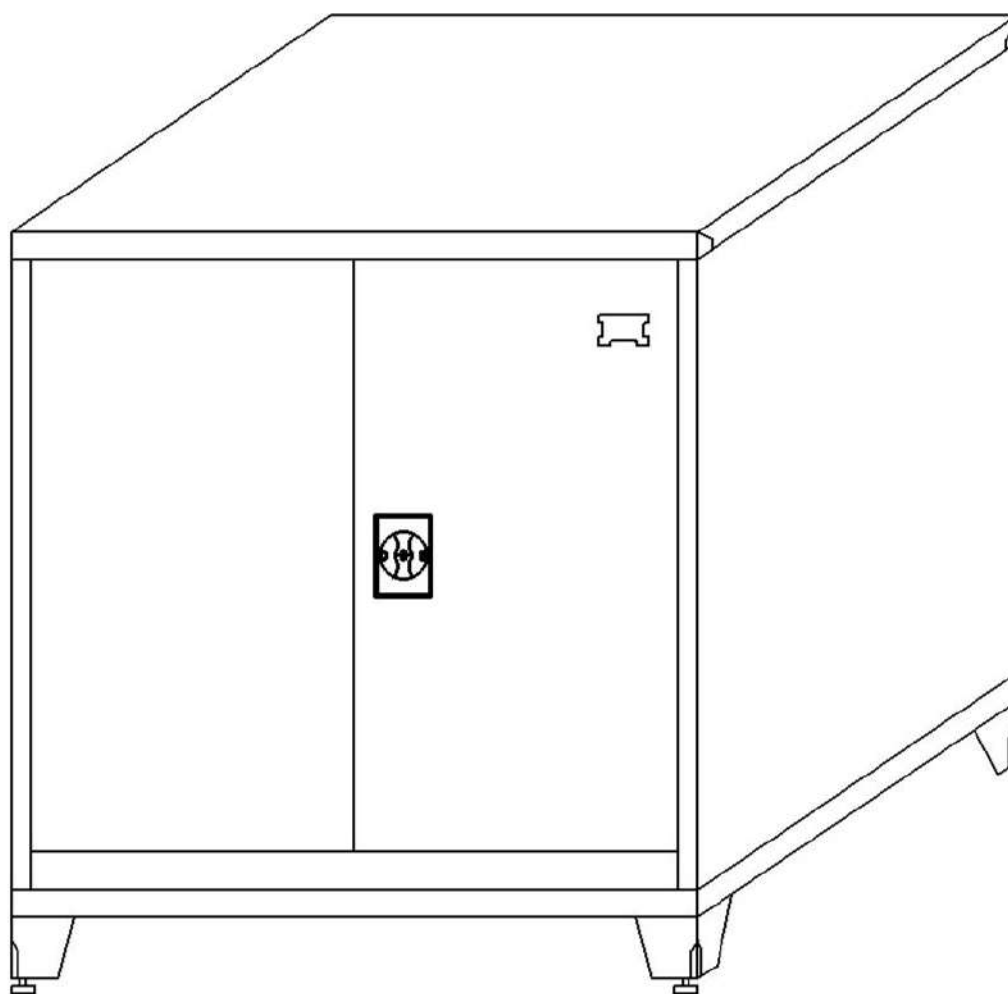


# Metal Wardrobe

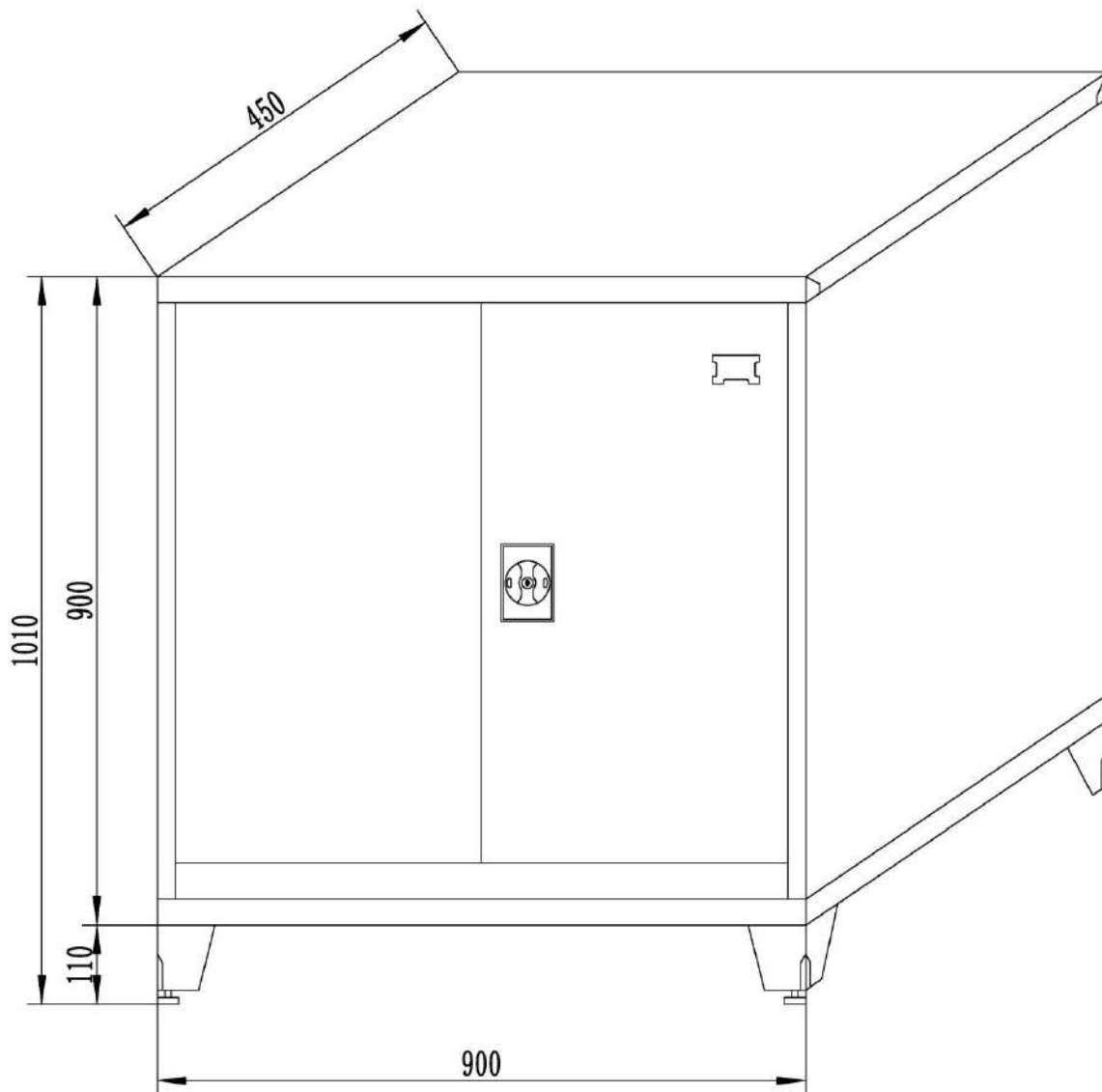
---

Owner's Manual/

Instruction for Assembly Model:452.002

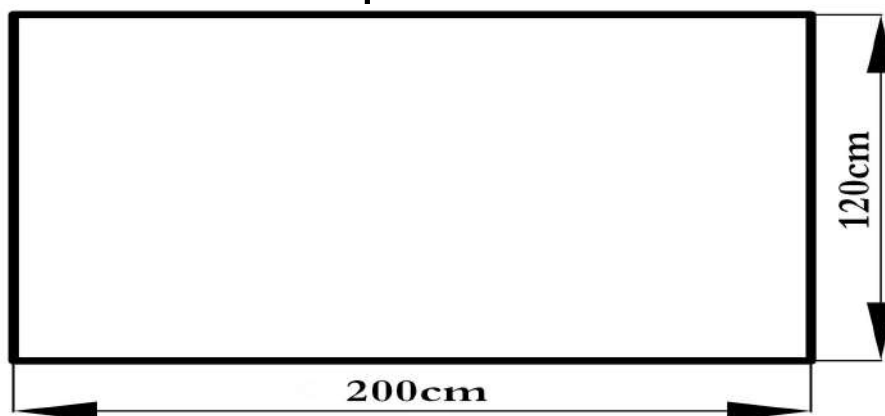


Size of Model:452.002

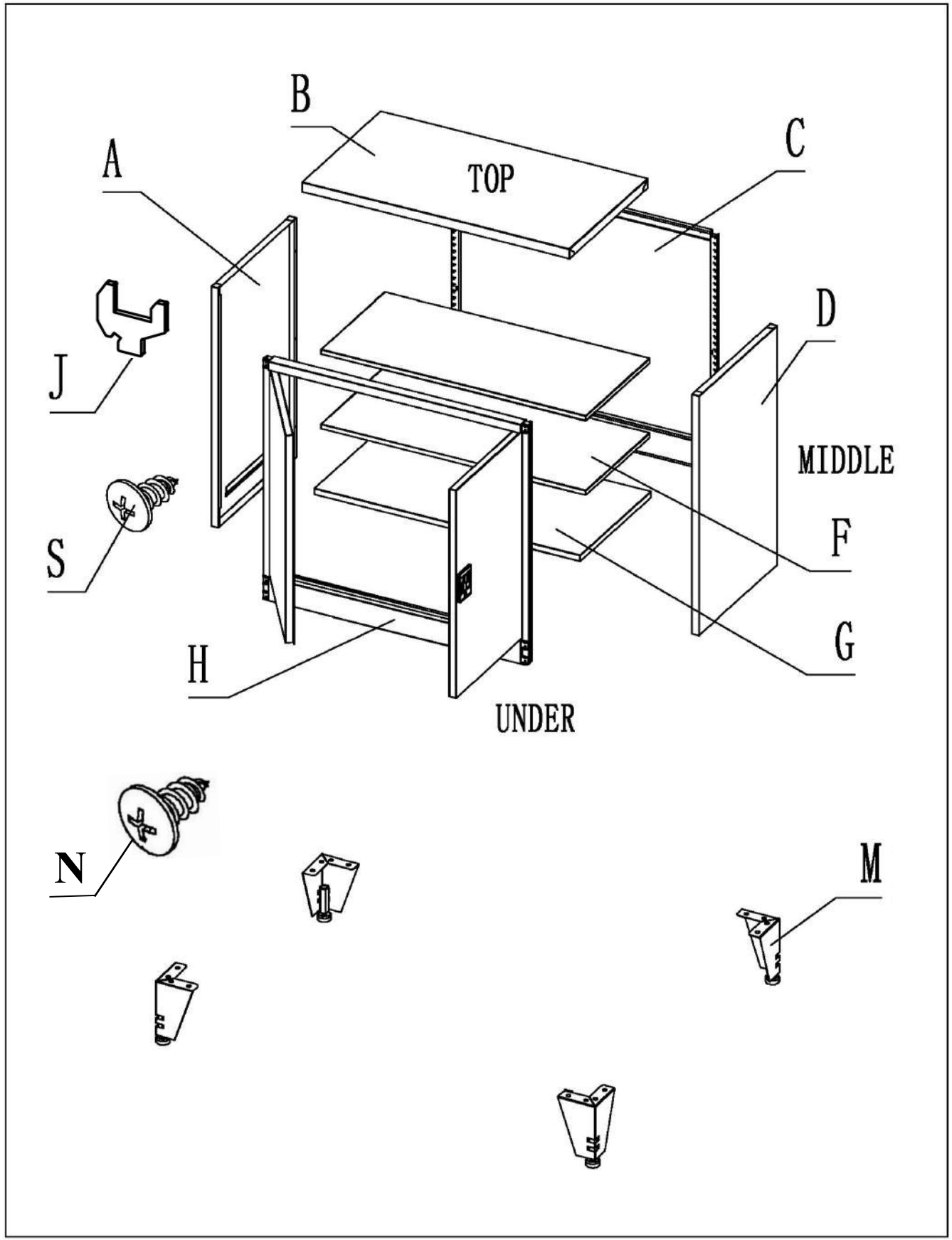


---




Area of installation requirement:



# Explosive View:



## Bill of Material:

No.	Size(mm)	Quantity(pc)
TOP		
B	411*896	x1
MIDDLE		
A	450*900	x1
D	450*900	x1
C	900*900	x1
H	900*900	x1
F	411*896	X2
UNDER		
G	411*896	x1
M	60*60*110	x4
ANNEX		
J		x8
S		x13
N		x16

