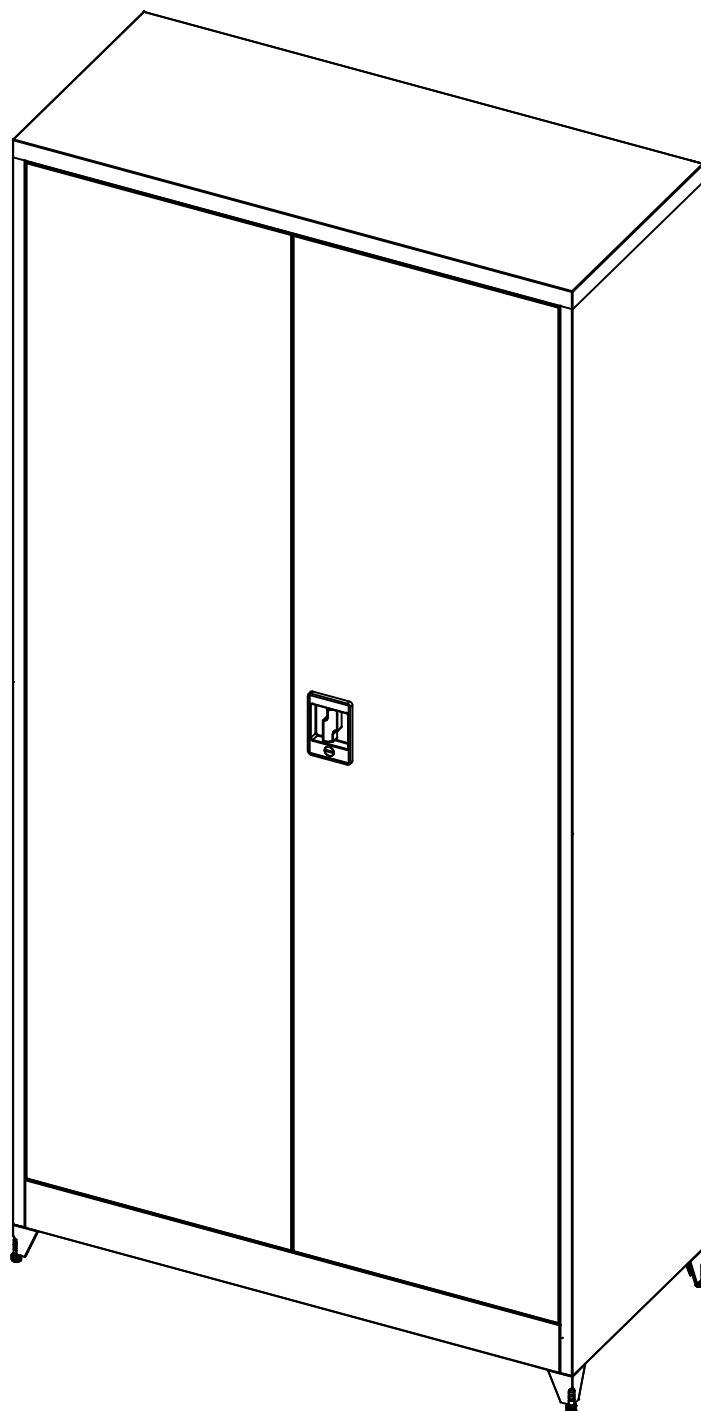


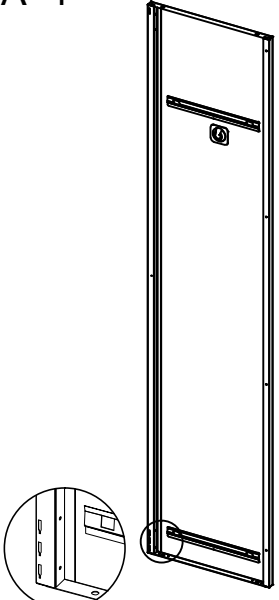
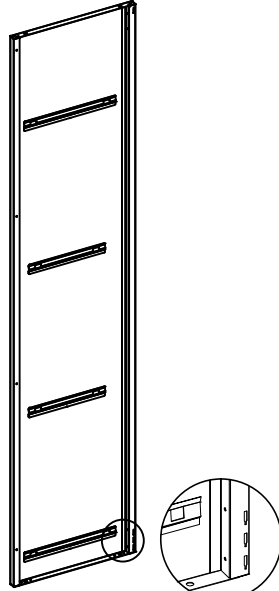
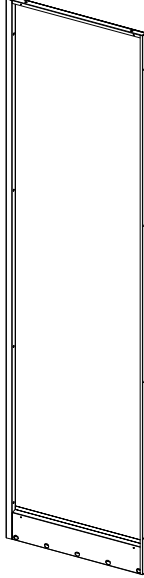
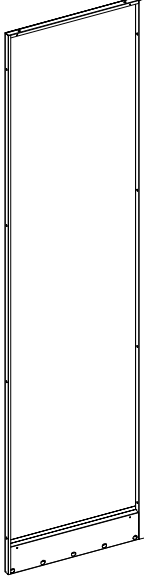
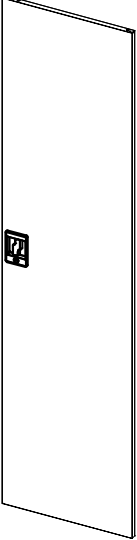
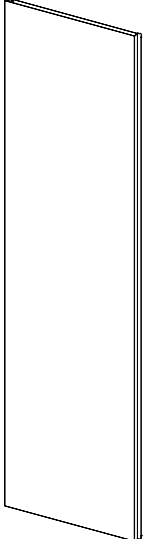
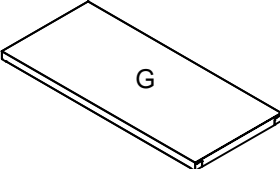
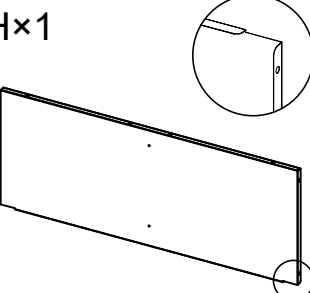

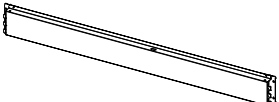
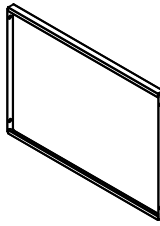
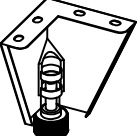


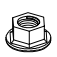
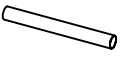
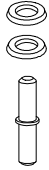

Manual for
452.07053
452.07058
452.04053
452.04058

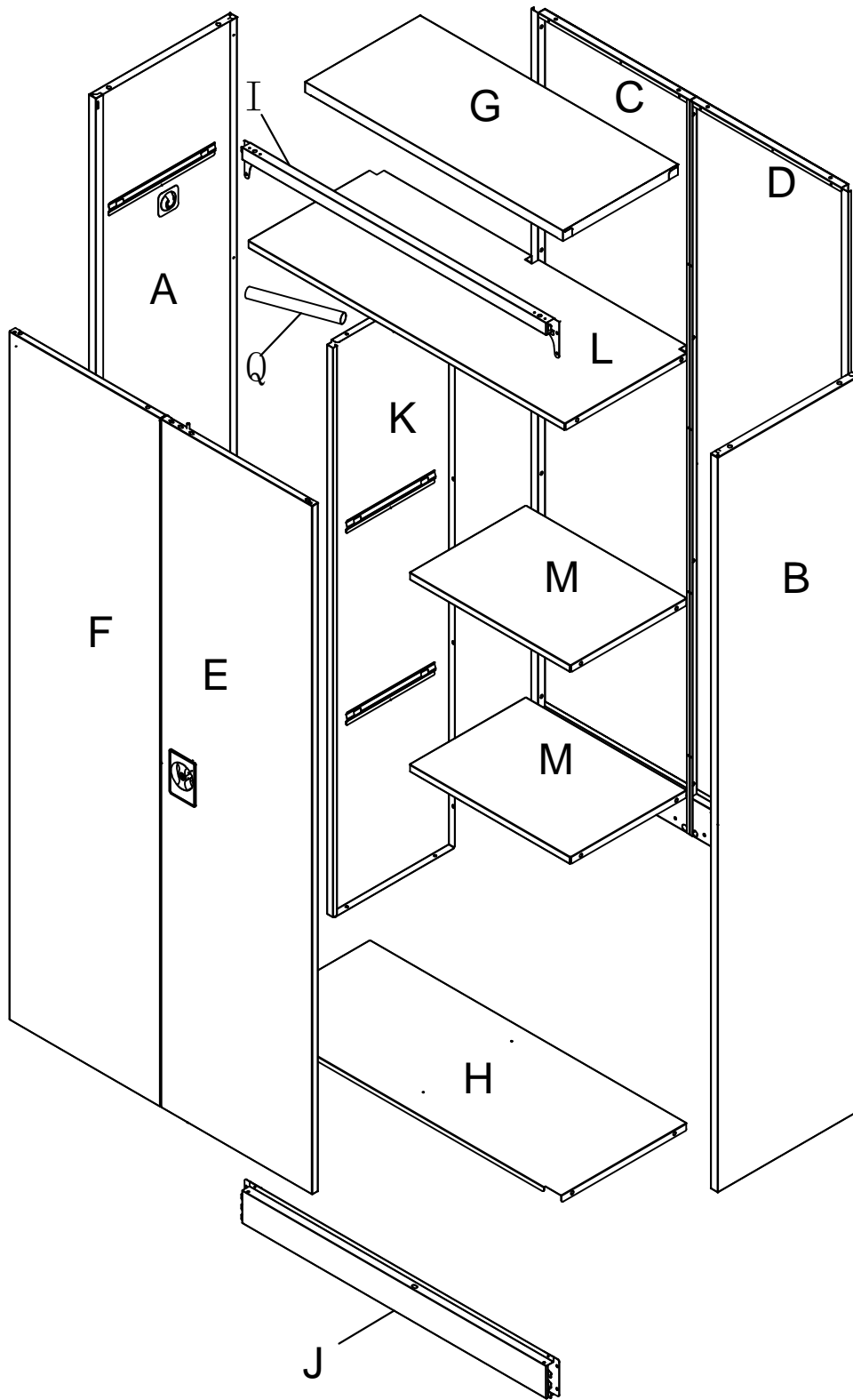
STEELEN
METAL DESIGN & EQUIPMENT



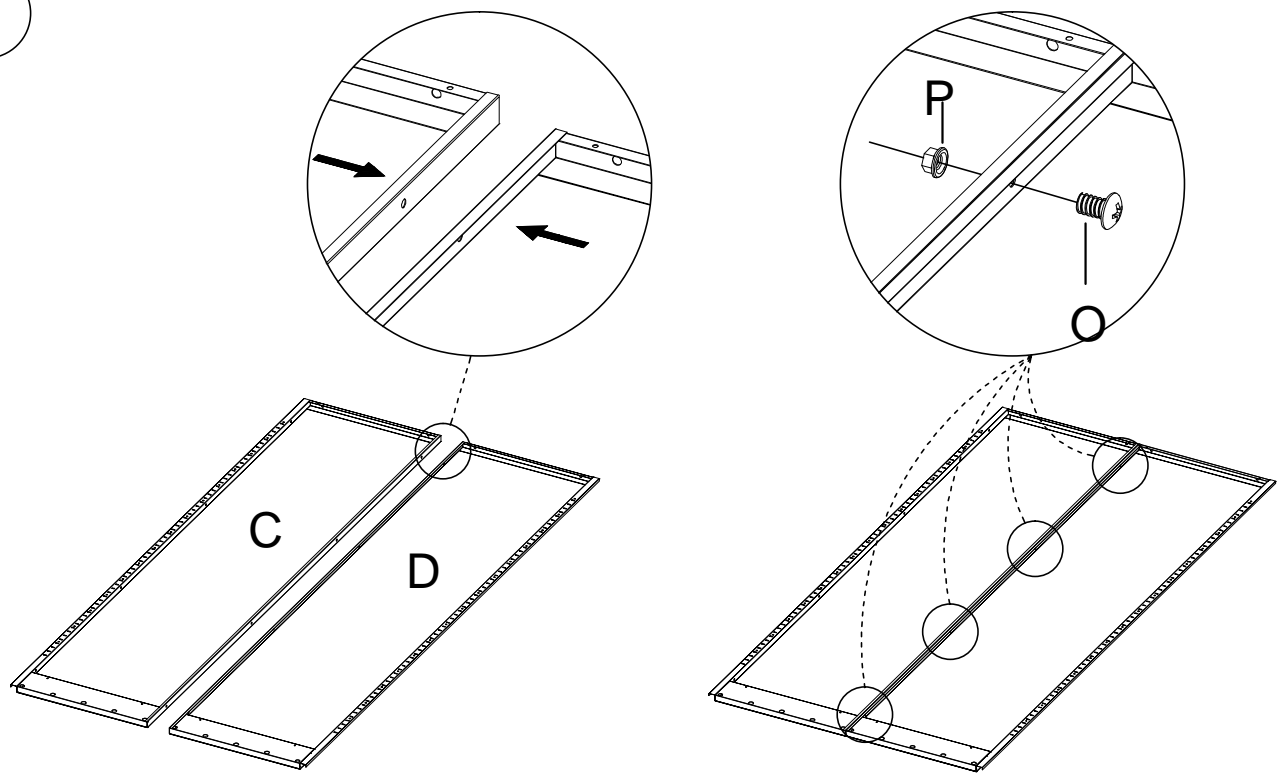
Tips:

1. Avoid bumping and destroying the surface layer when using.
2. Avoid violent opening and closing of doors or drawers.
3. Wipe with a soft cotton (dip with water if necessary), and do not use acid or alkaline detergents for cleaning.

<p>A×1</p> 	<p>B×1</p> 	<p>C×1</p> 	<p>D×1</p> 					
<p>E×1</p> 	<p>F×1</p> 	<p>G×1</p> 	<p>H×1</p> 					
<p>I×1</p> 	<p>J×1</p> 	<p>M×2</p> 	<p>S×4</p> 					
<p>N×50</p> 	<p>O×4</p> 	<p>P×4</p> 	<p>Q×1</p> 	<p>R×2</p> 	<p>U×2</p> <p>Standby Application</p> 			

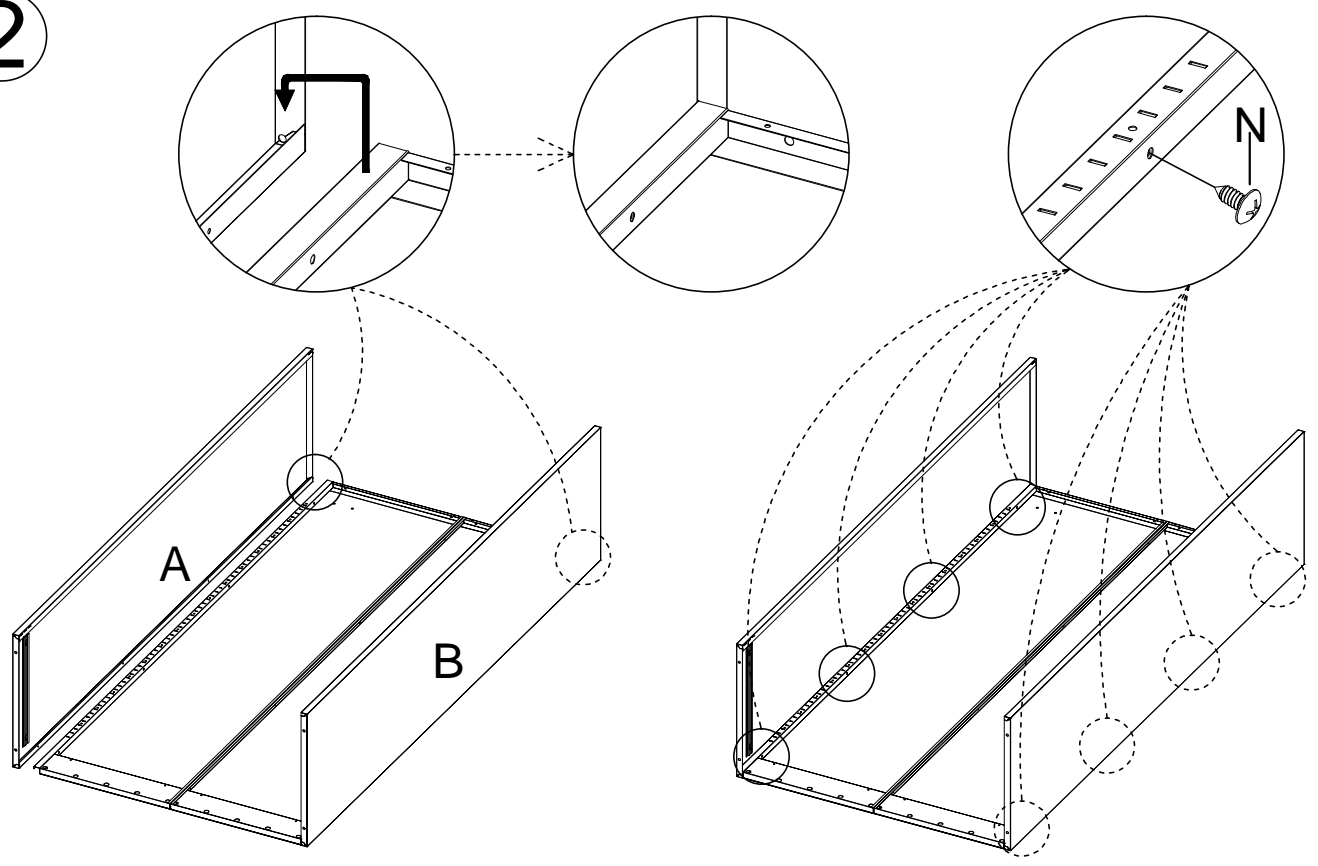


1



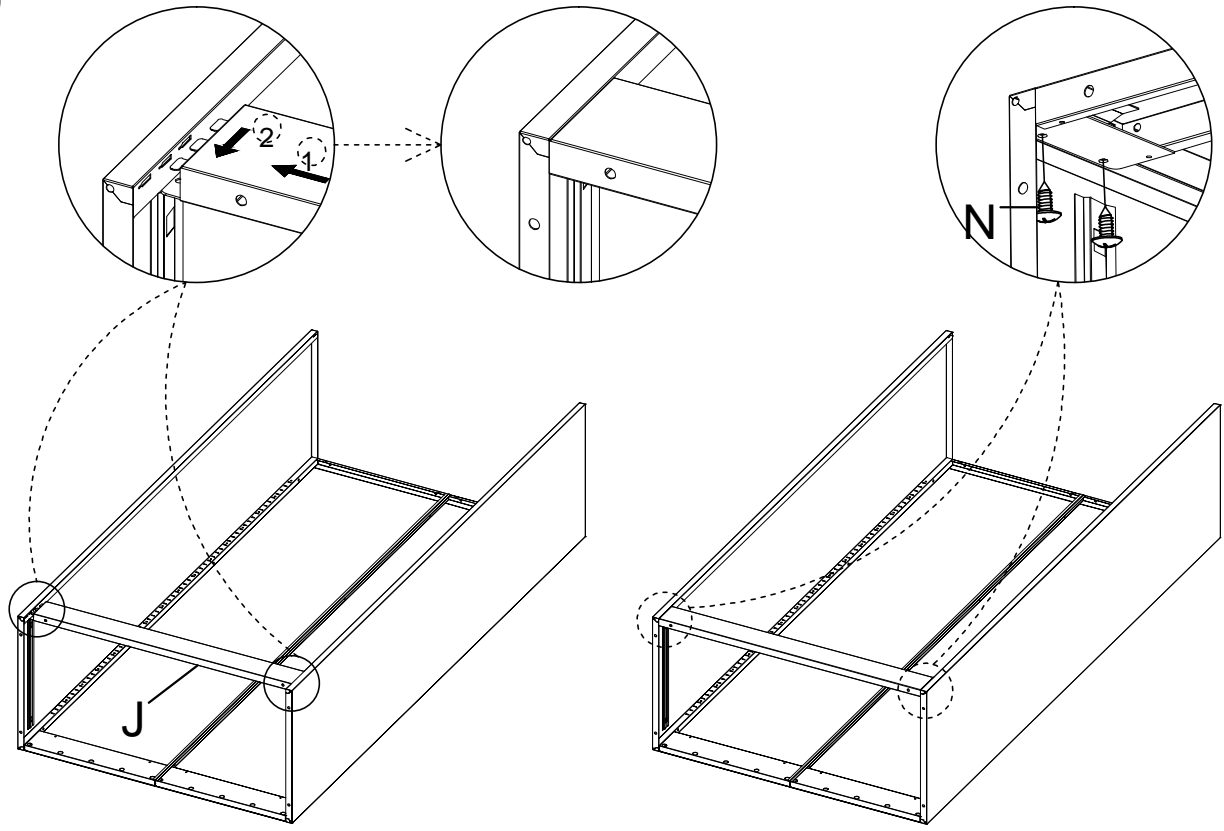
O×4 P×4

2



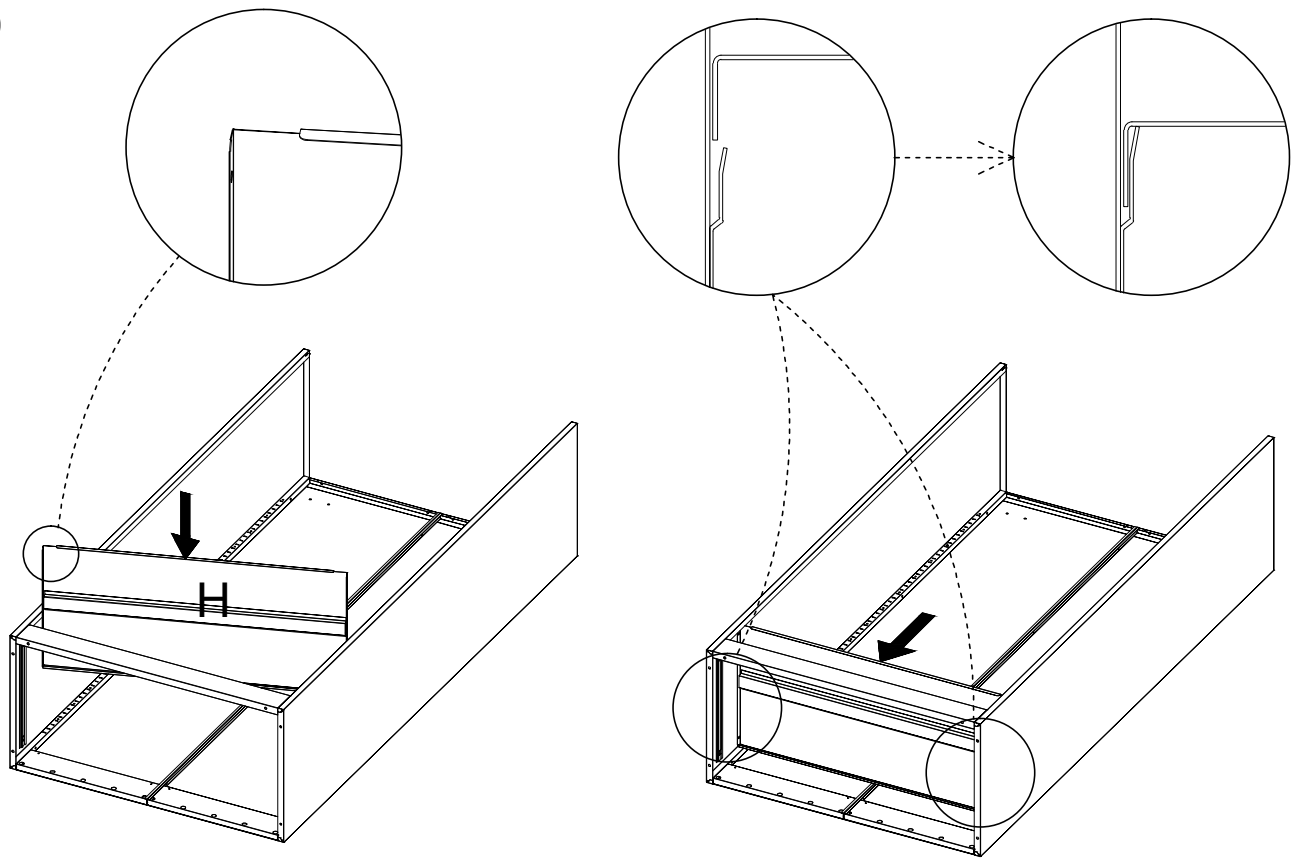
N×8

3

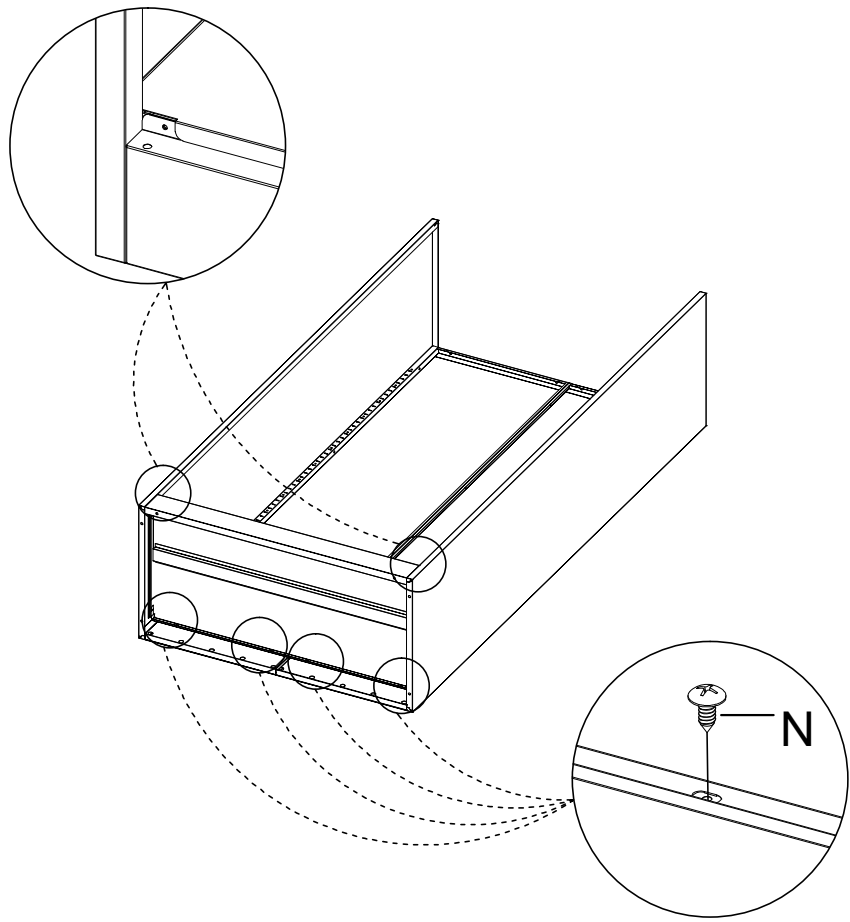


N×4

4

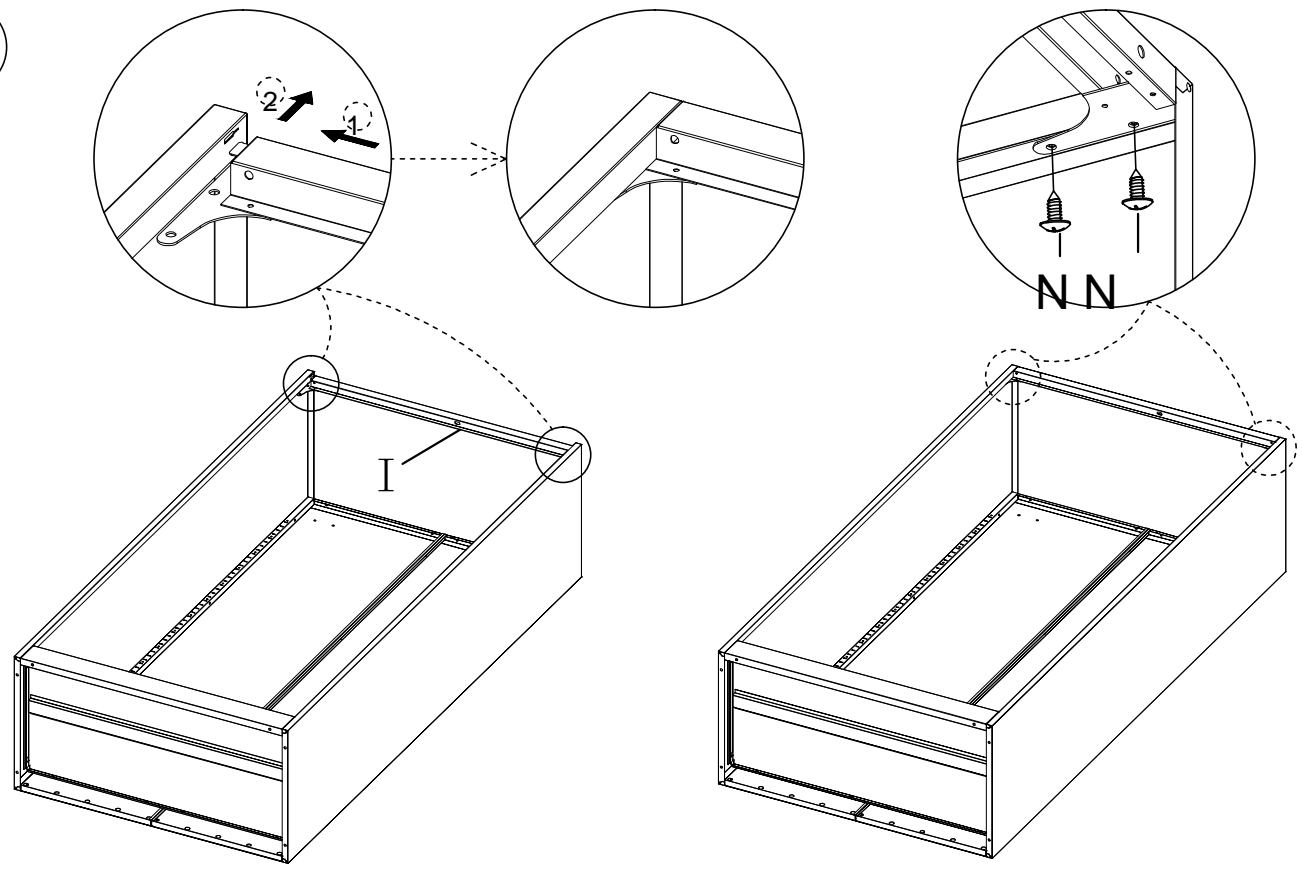


5



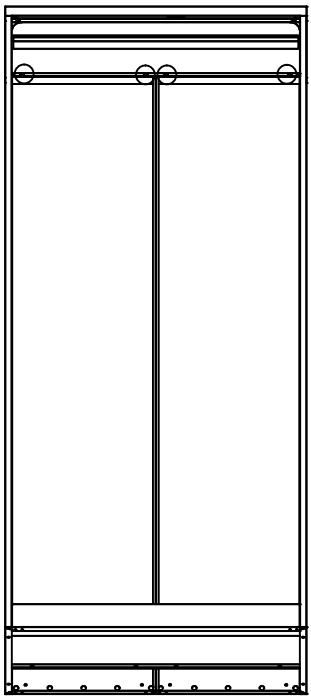
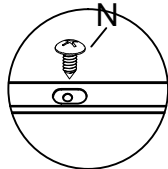
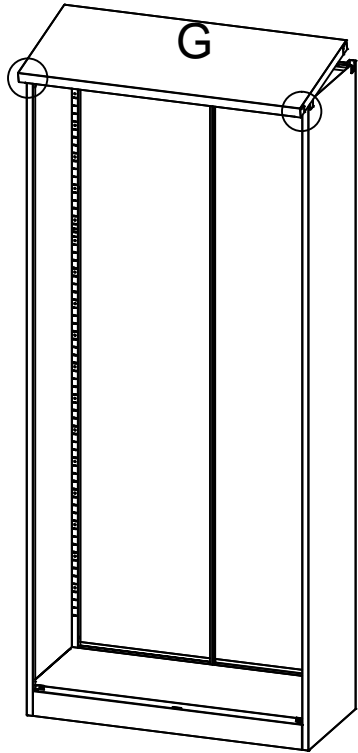
N×4

6



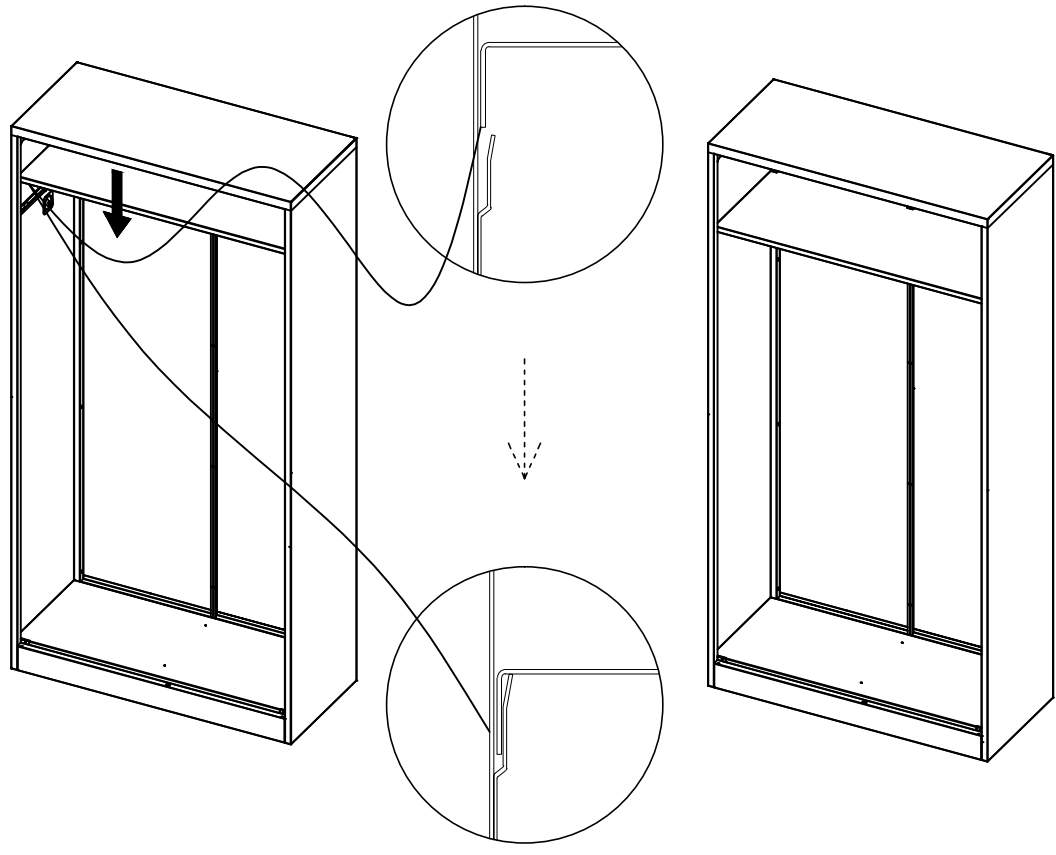
N×4

7

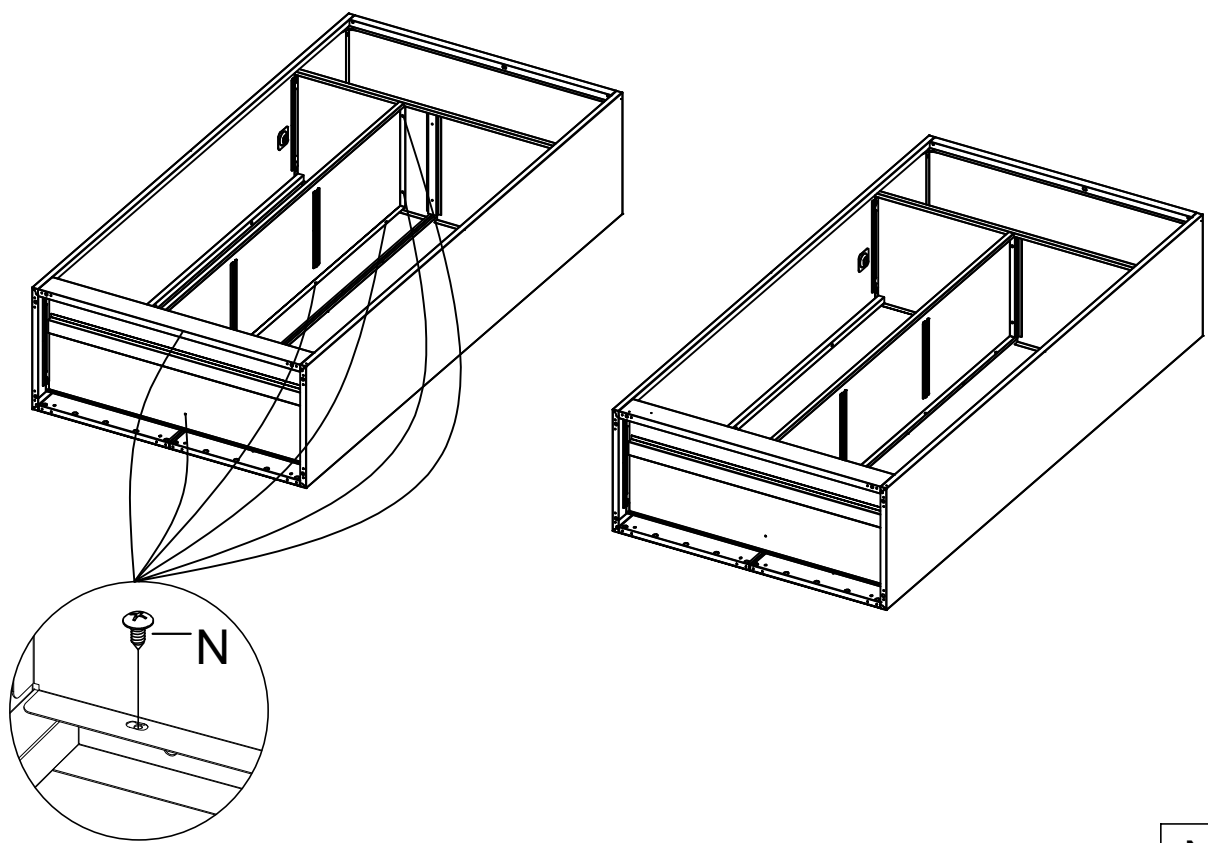


N×7

8

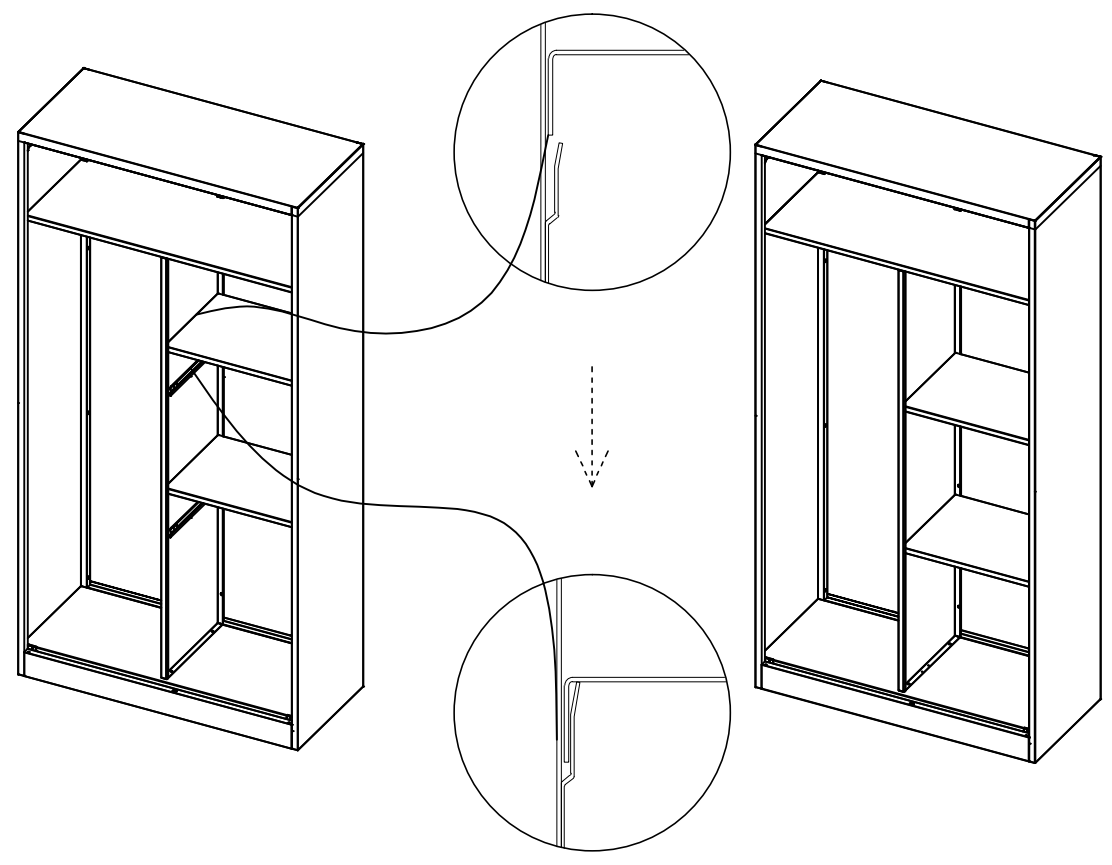


9



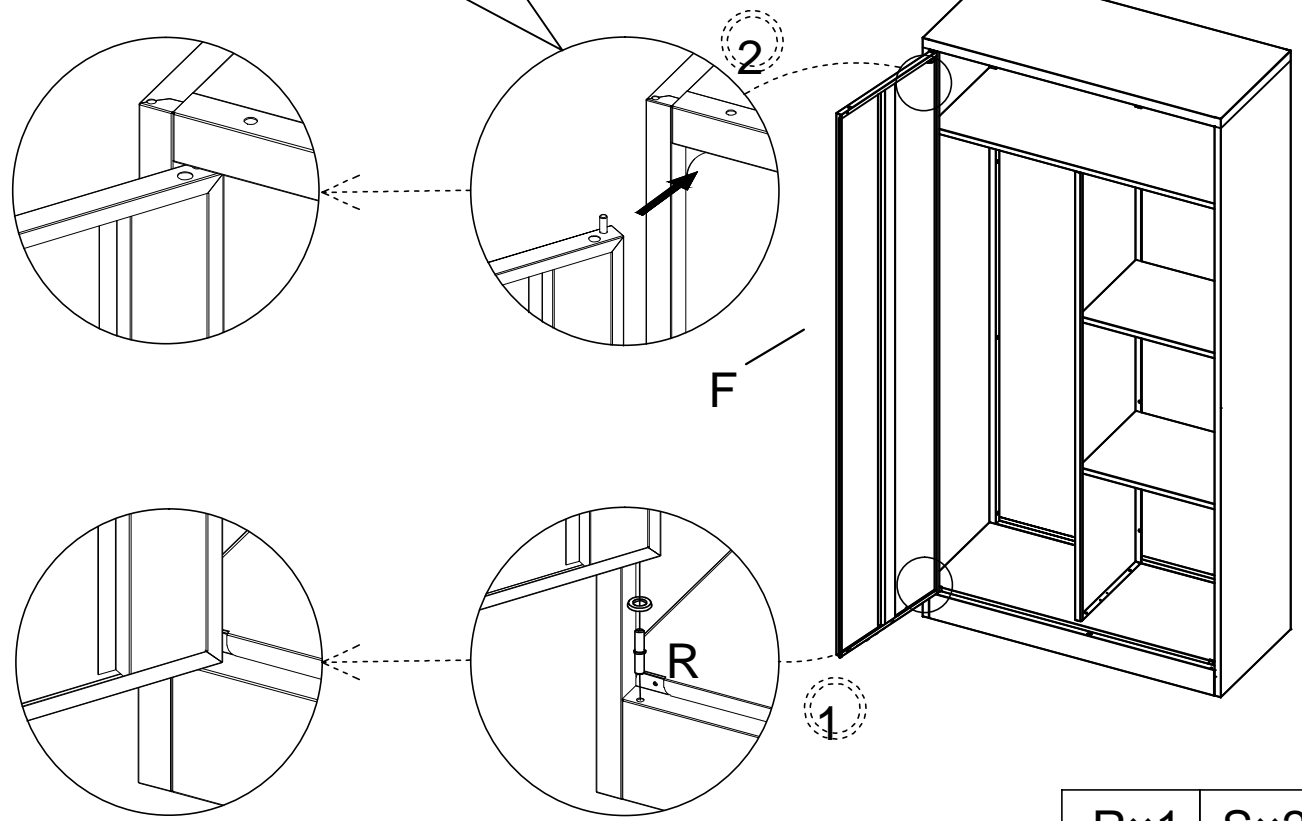
N×8

10



11

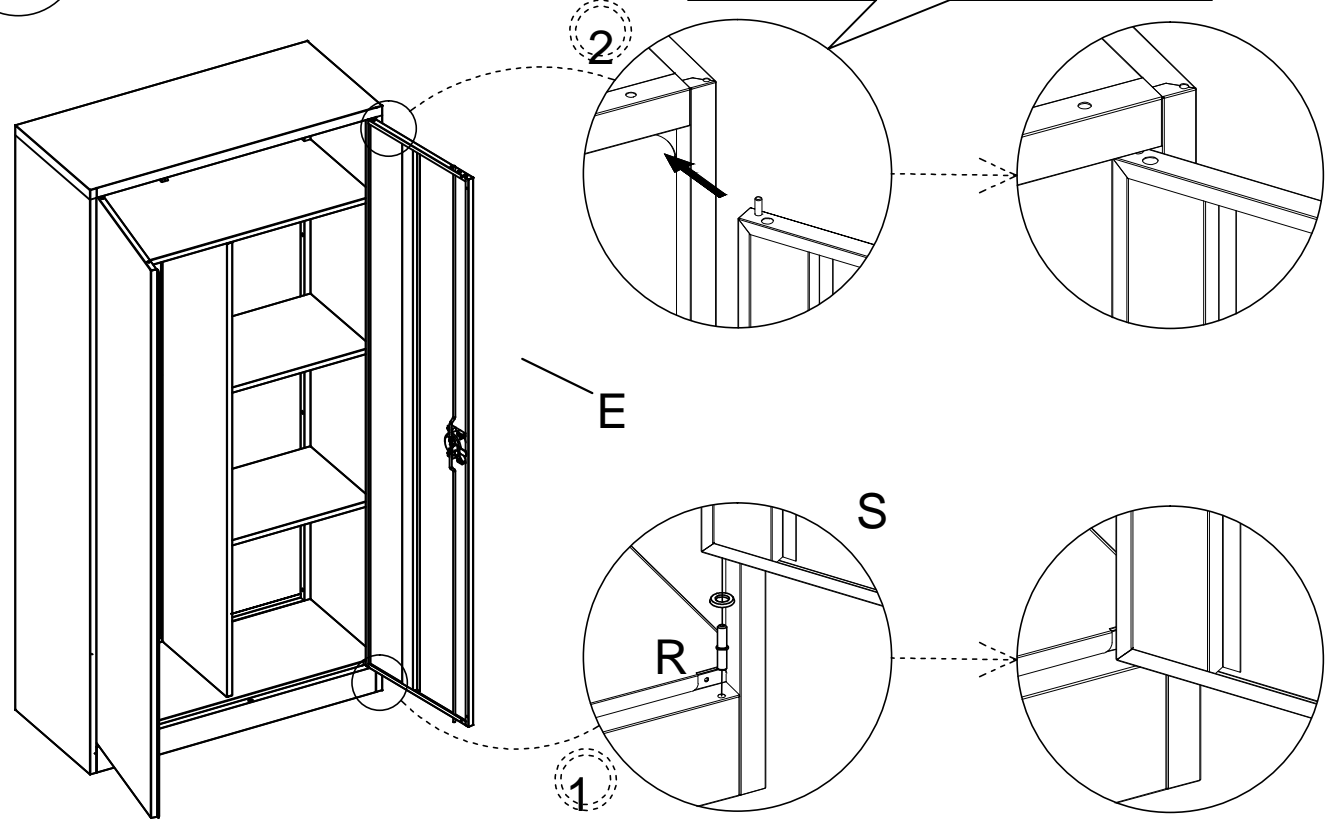
If the spring shaft is lost, spare parts U can be used.



R x 1 S x 2

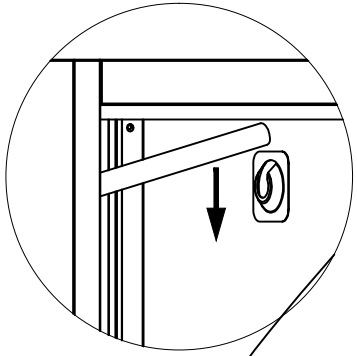
12

If the spring shaft is lost, spare parts U can be used.

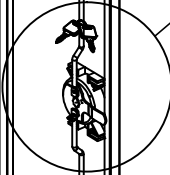
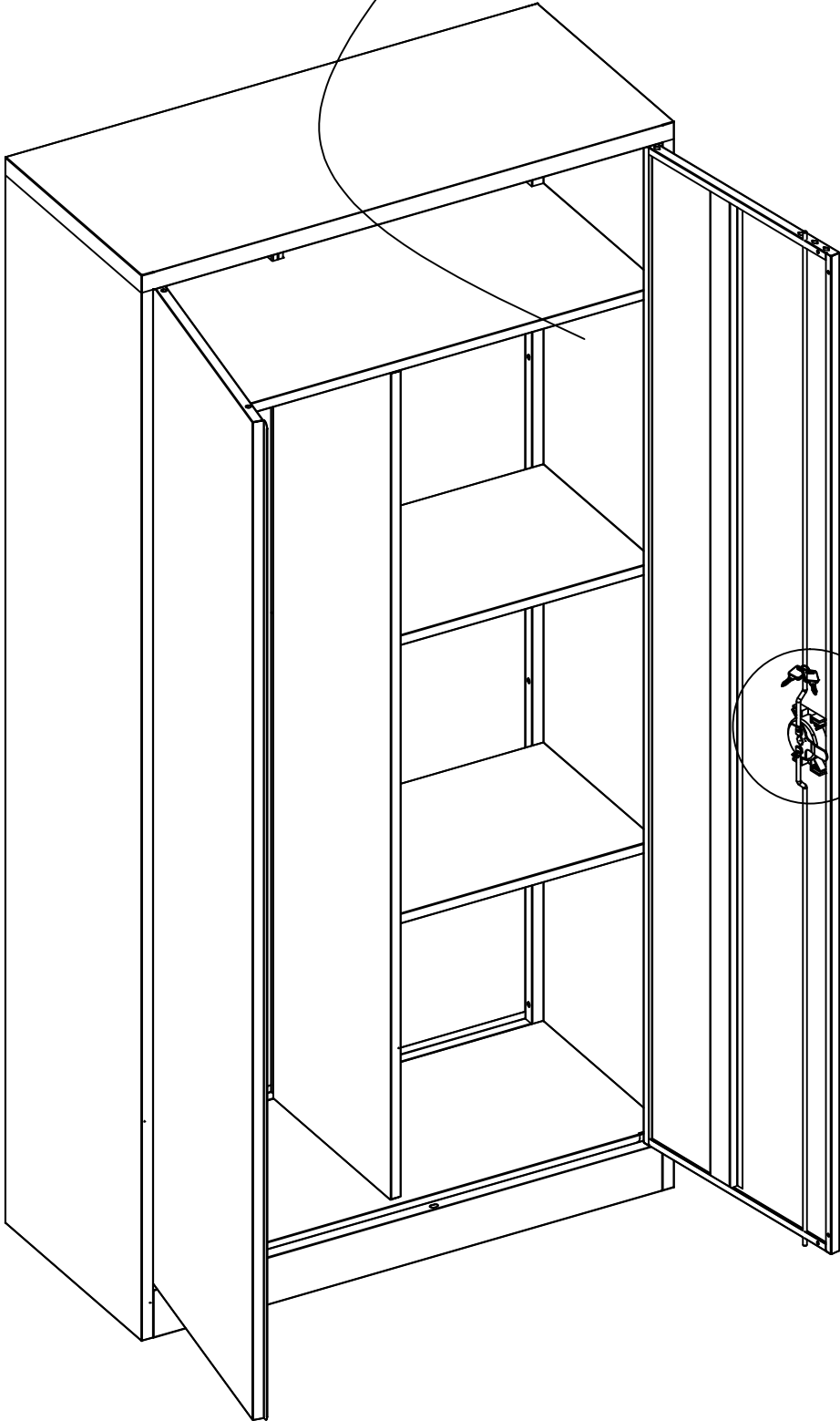
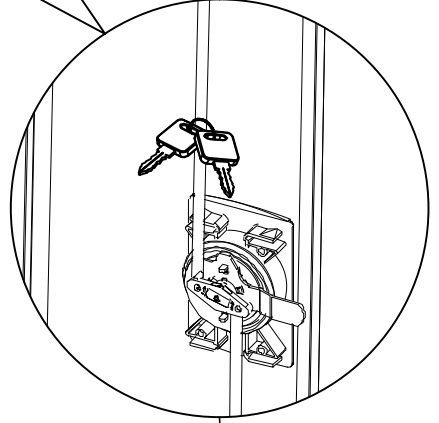


R x 1 S x 2

13

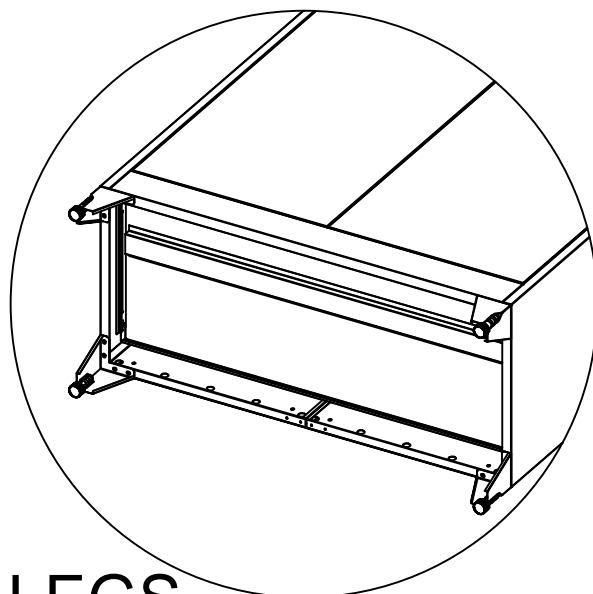
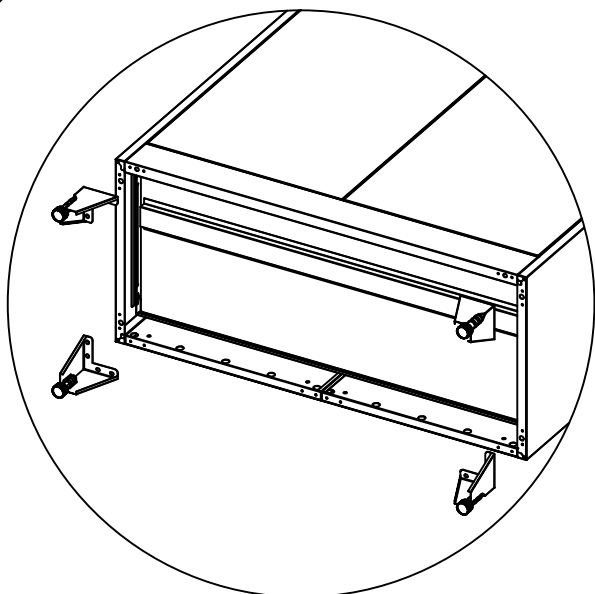


The key is here

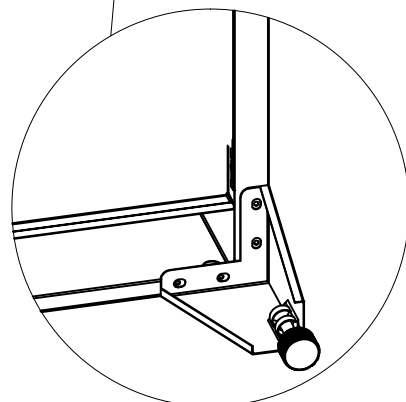
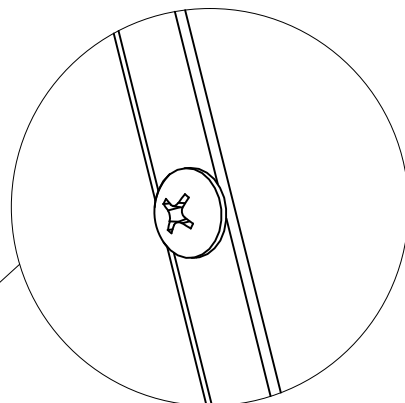
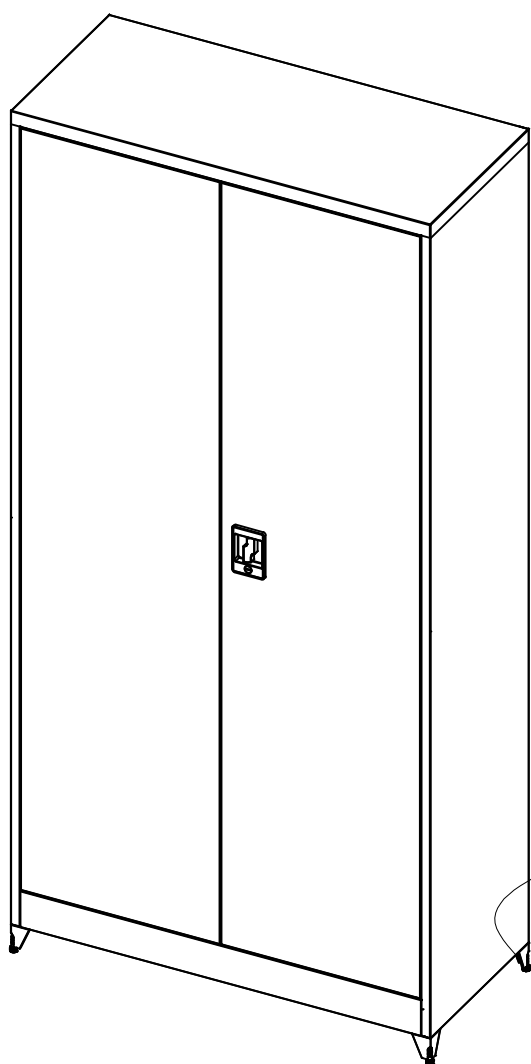


Q×1

14



OPTIONAL FOR THE LEGS



S × 4	N × 16
-------	--------