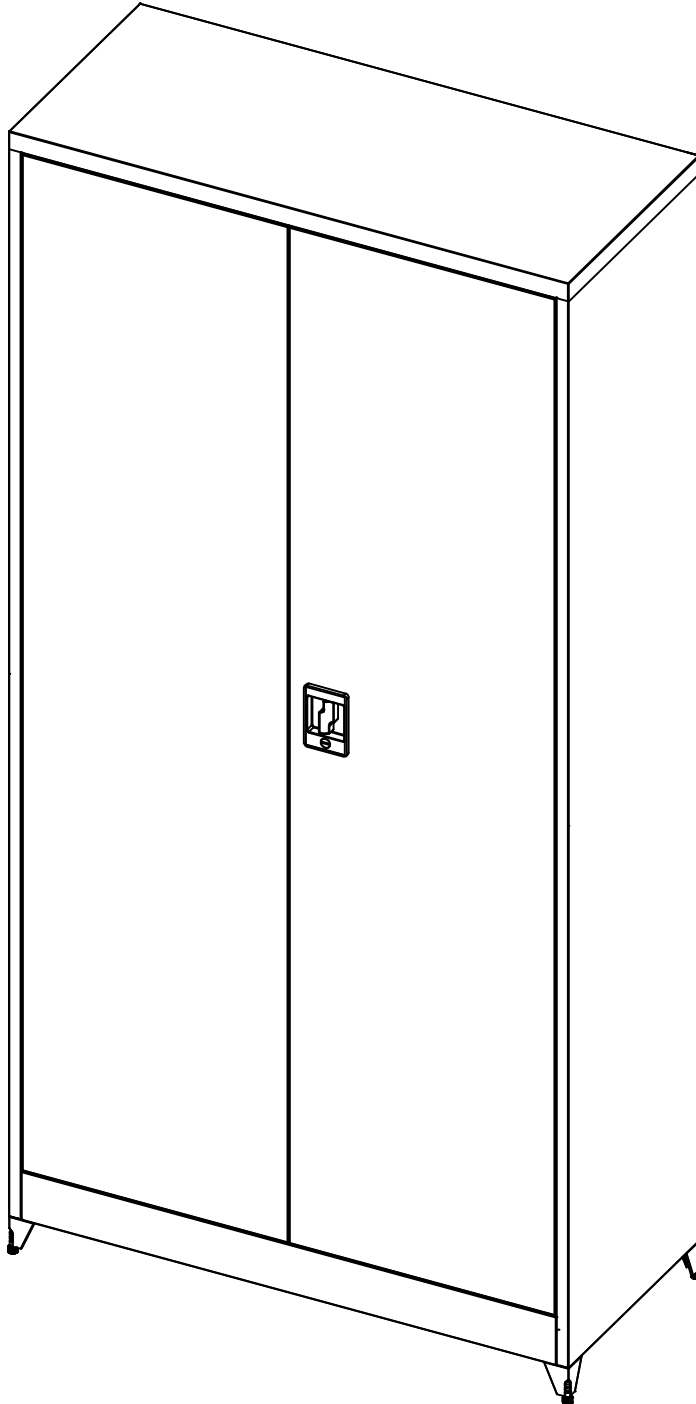


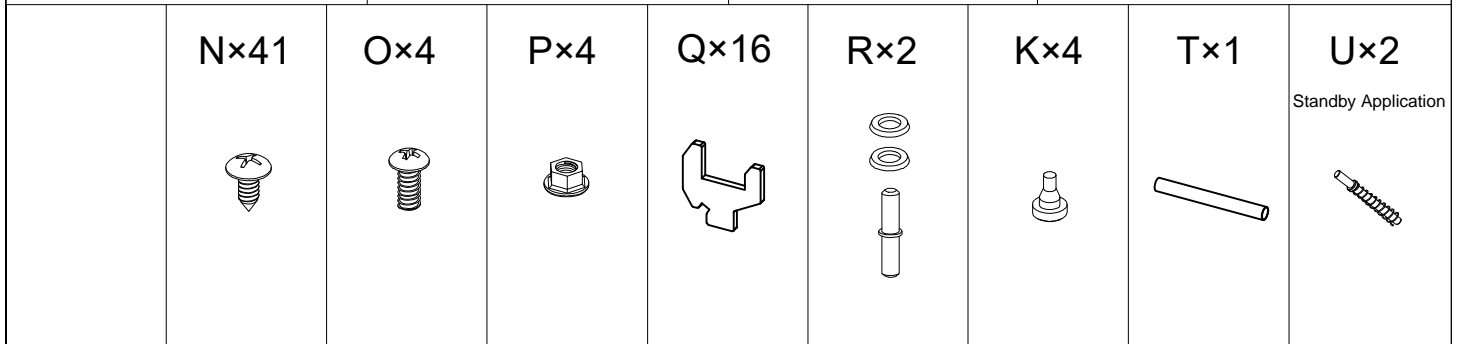
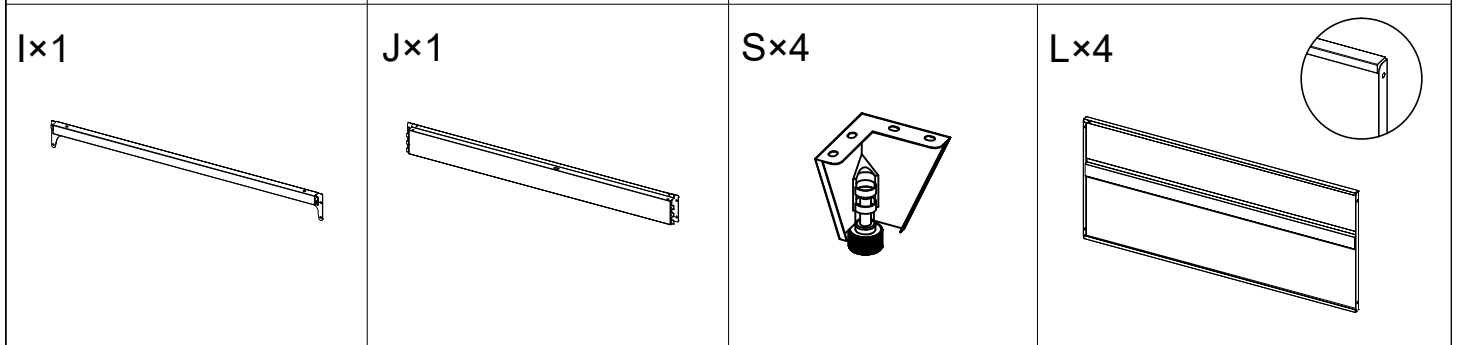
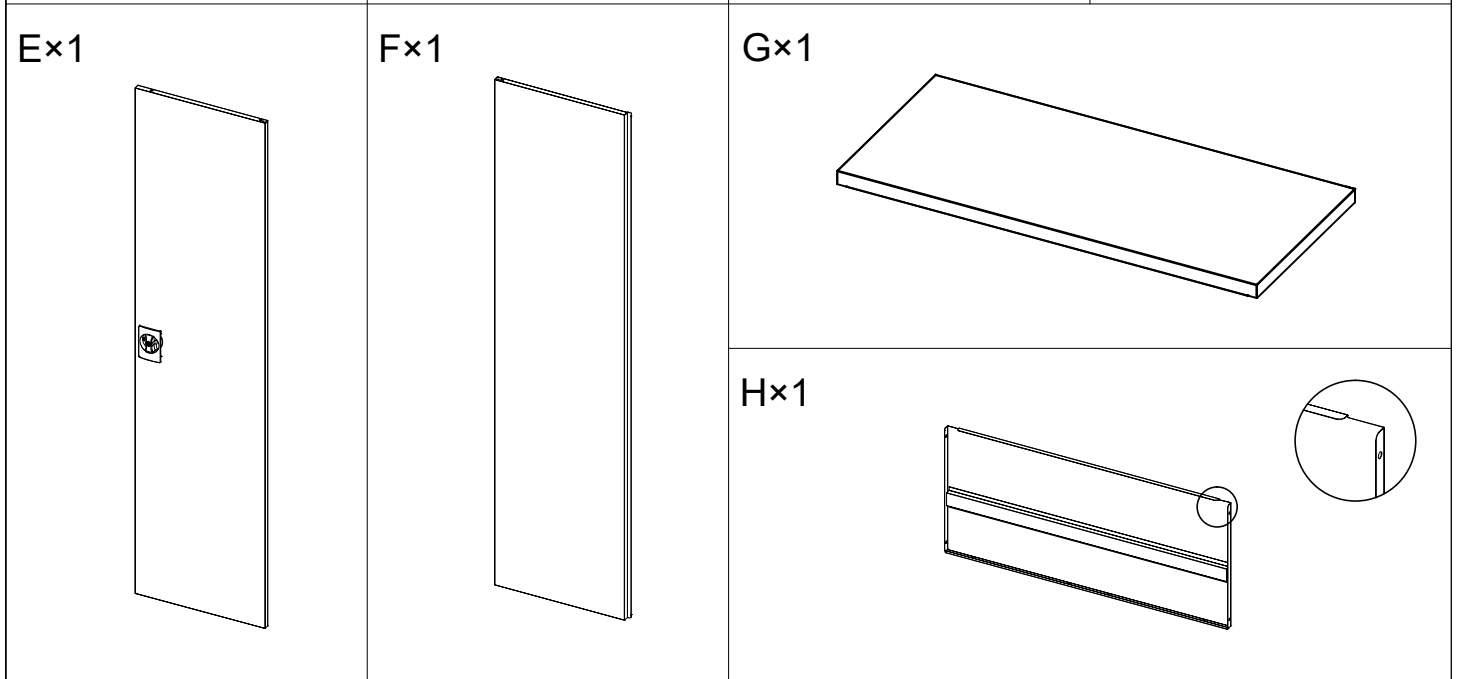
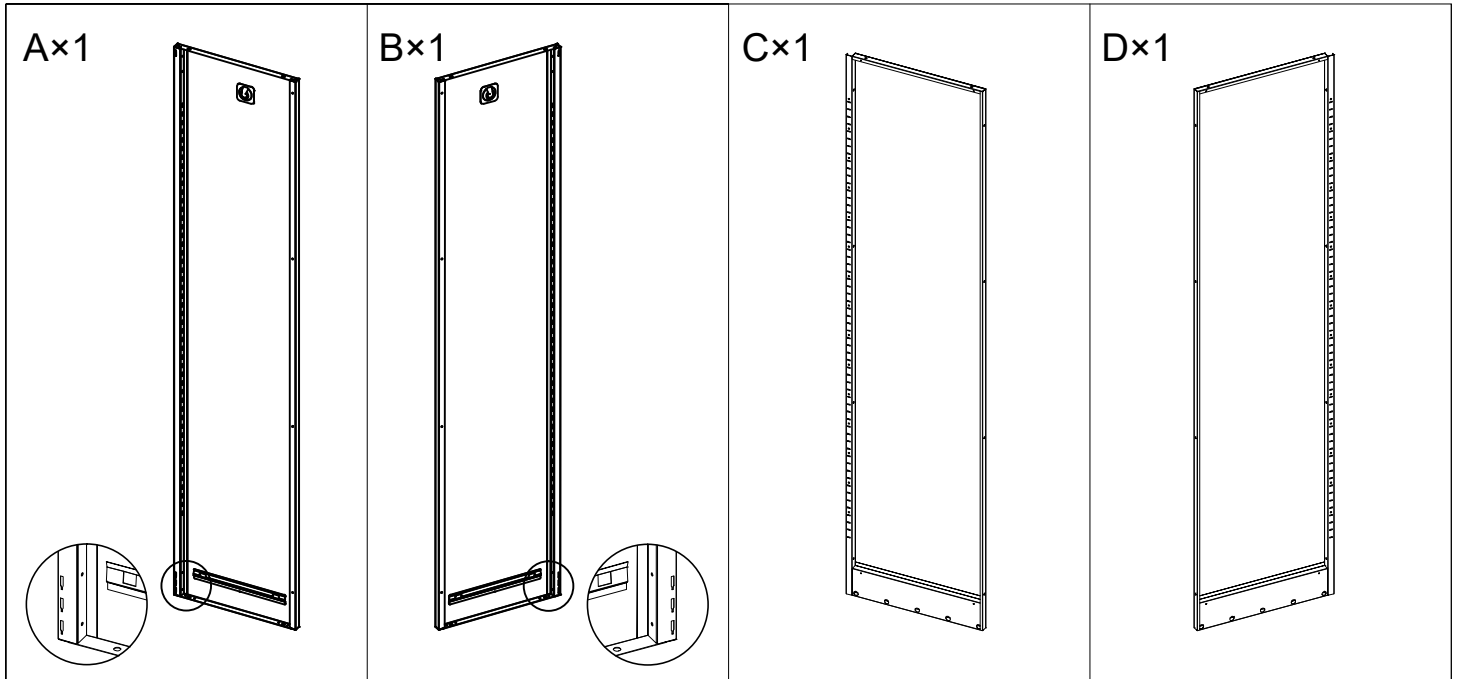
Manual for
452.07051
452.07057
452.04051
452.04057

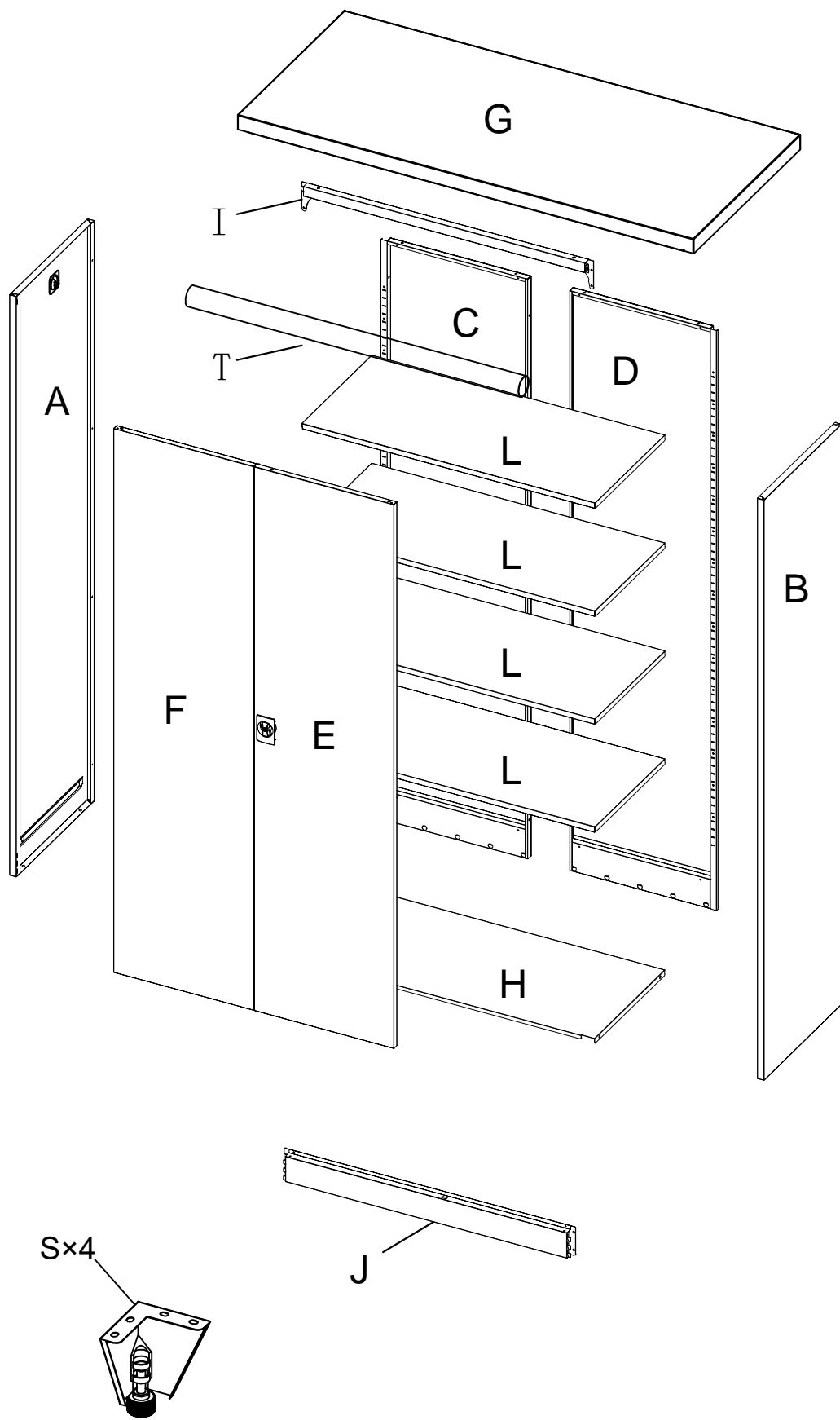
STEELLEN
METAL DESIGN & EQUIPMENT



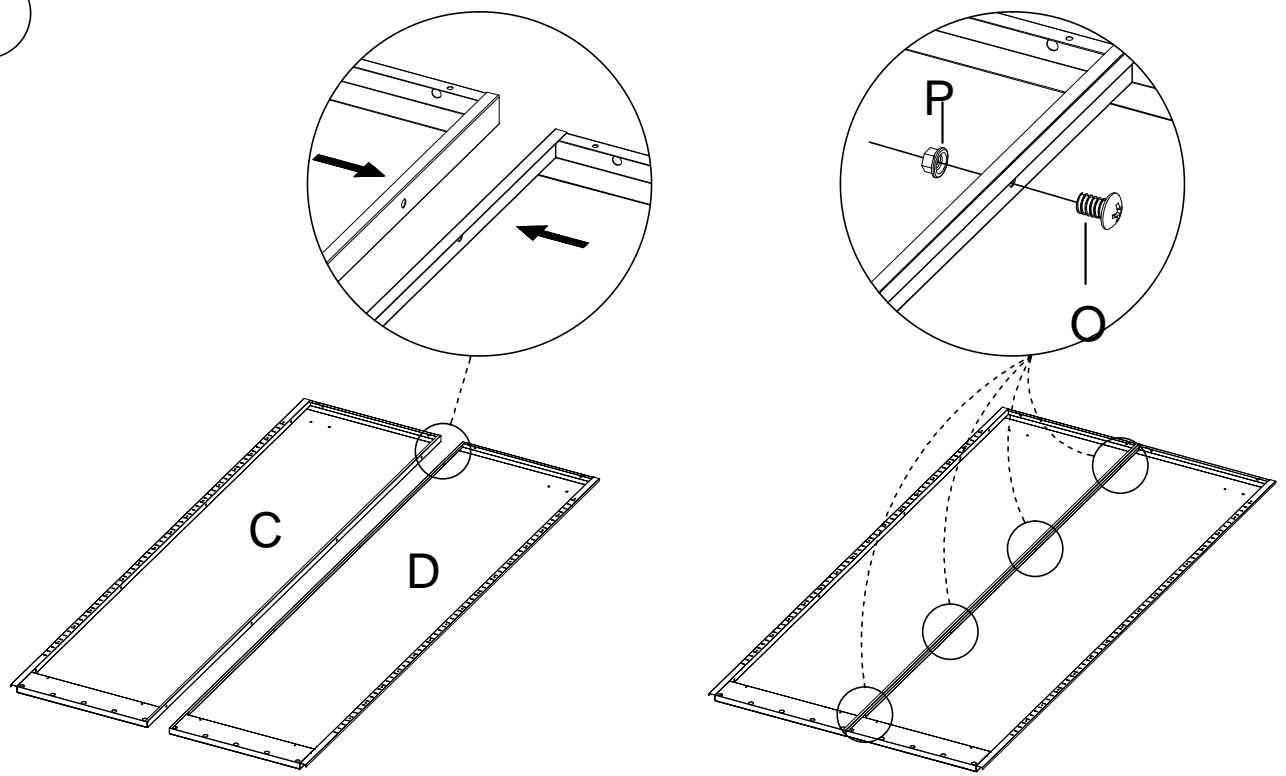
Tips:

1. Avoid bumping and destroying the surface layer when using.
2. Avoid violent opening and closing of doors or drawers.
3. Wipe with a soft cotton (dip with water if necessary), and do not use acid or alkaline detergents for cleaning.



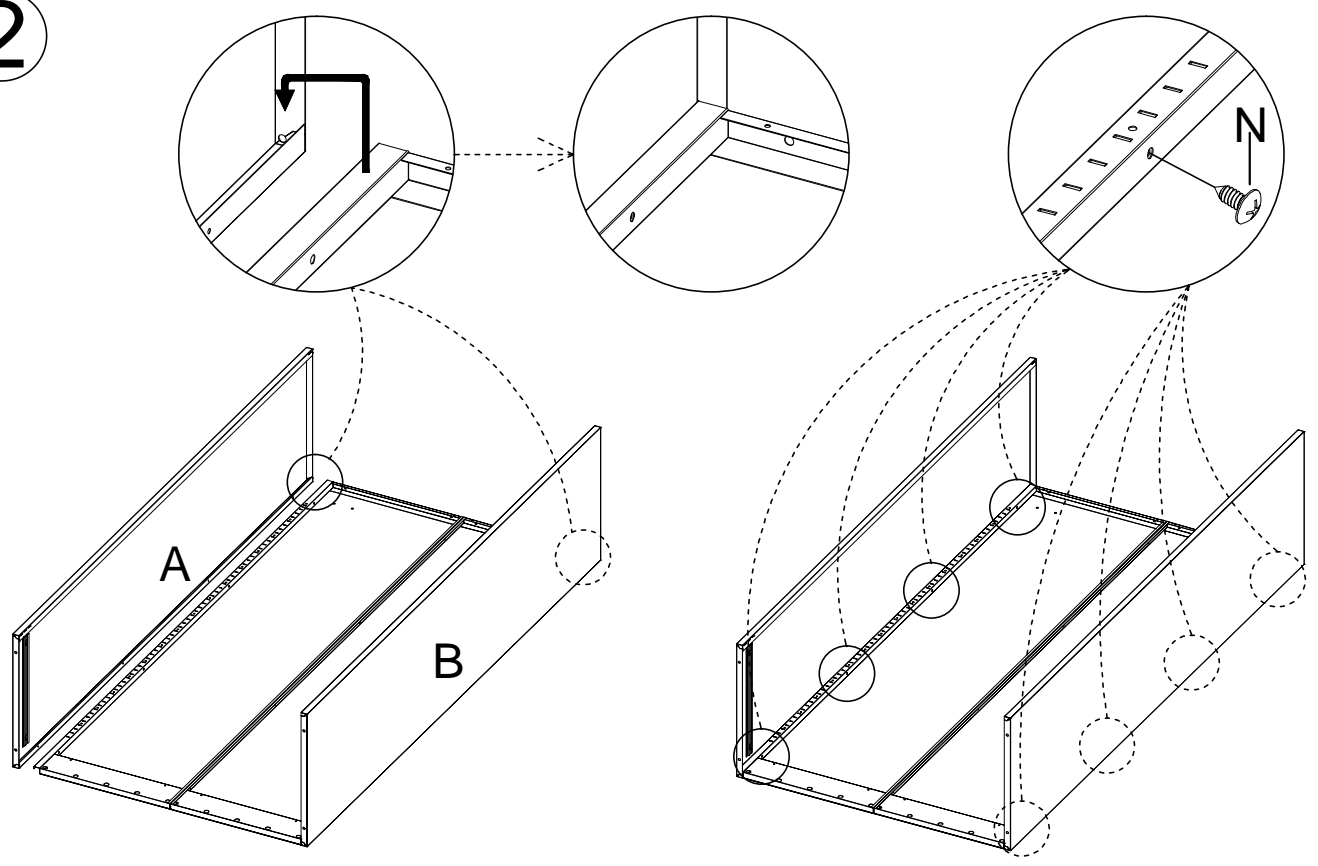


1



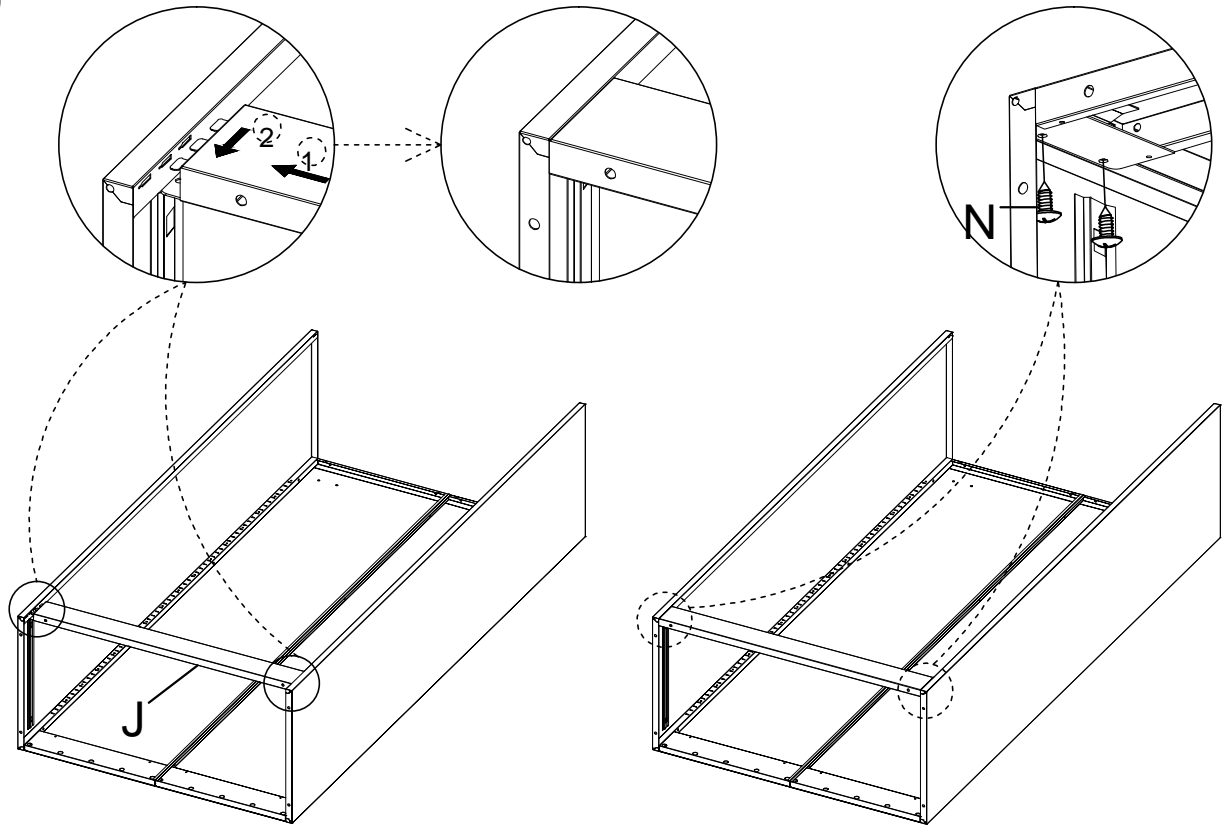
O×4 P×4

2



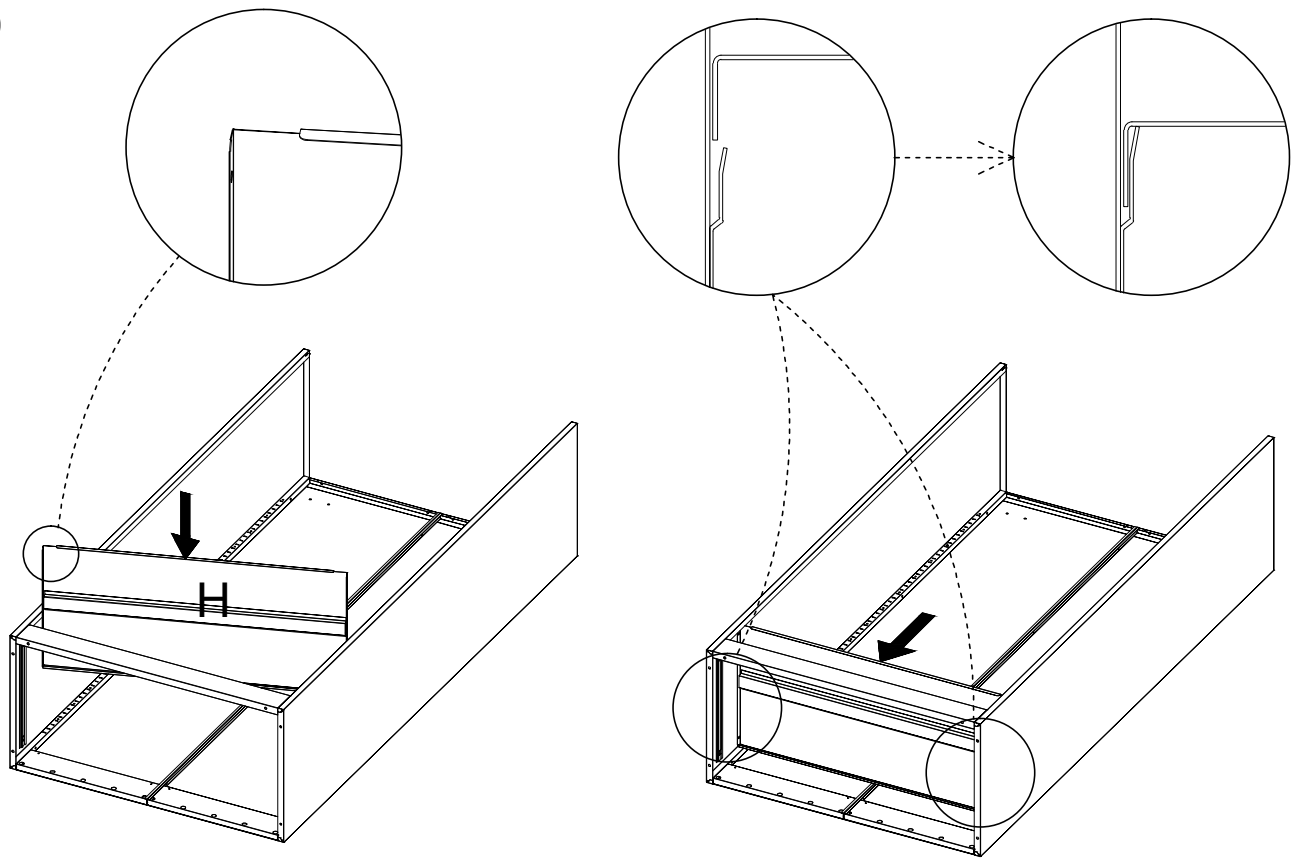
N×8

3

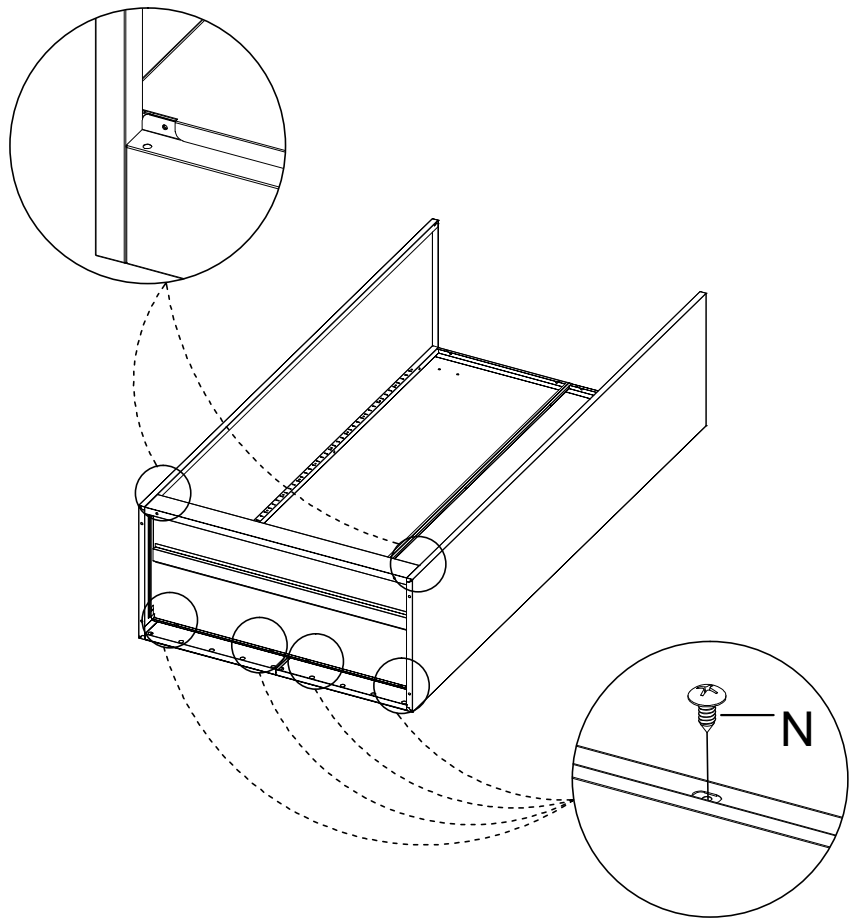


N×4

4

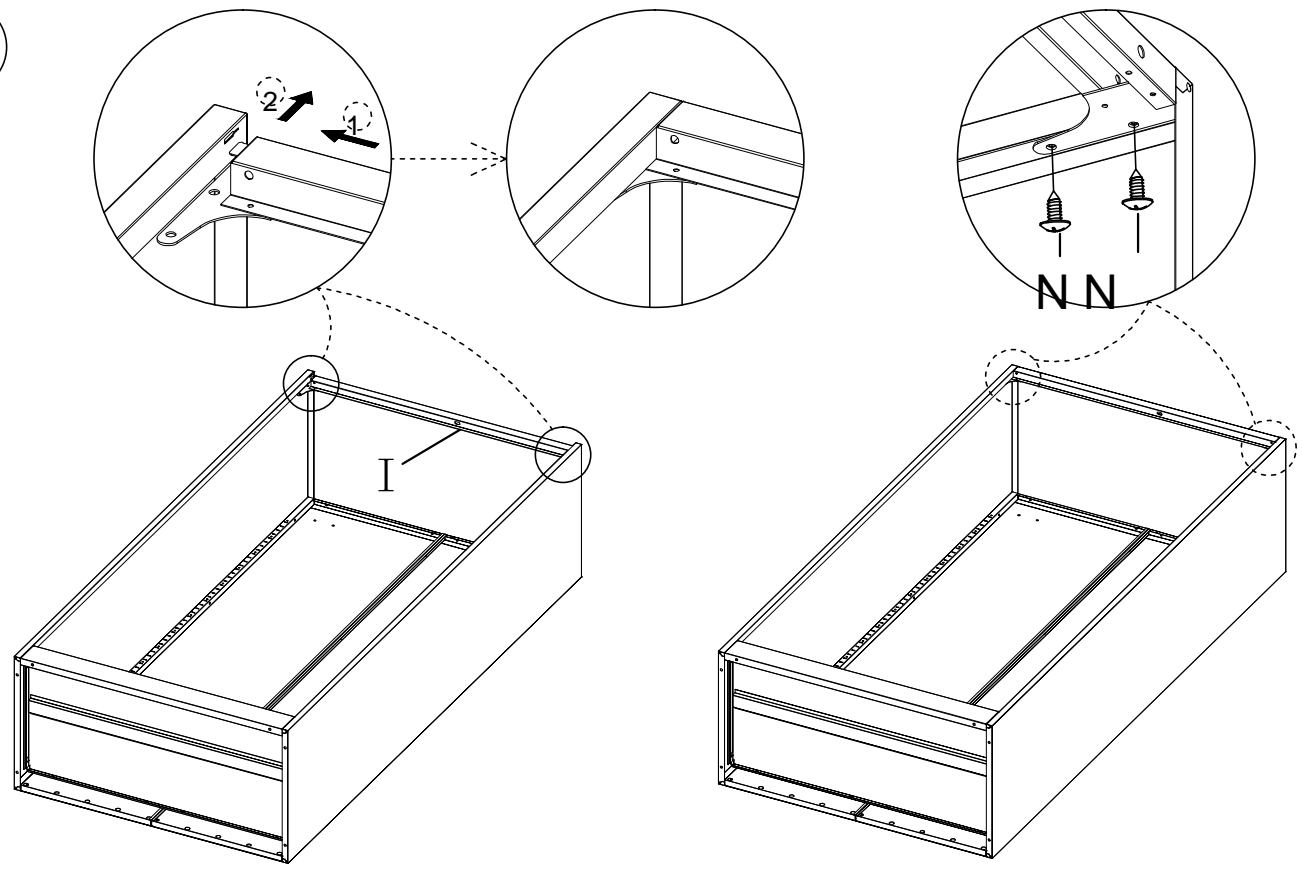


5



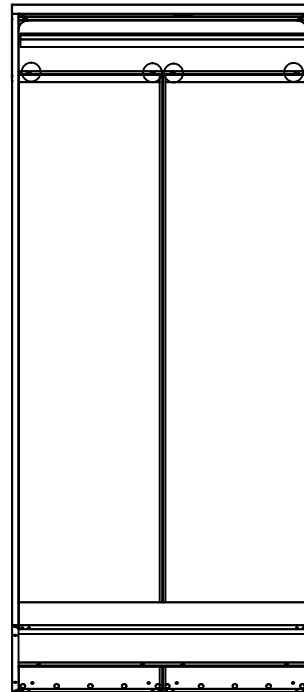
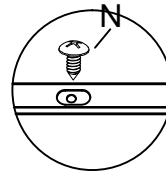
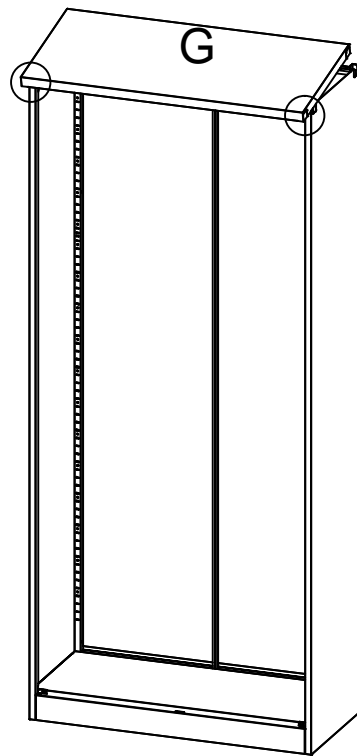
N×4

6



N×4

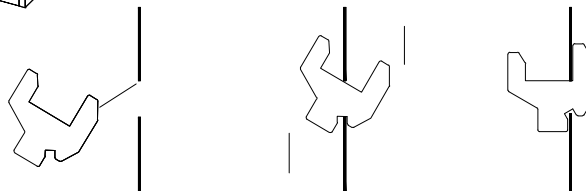
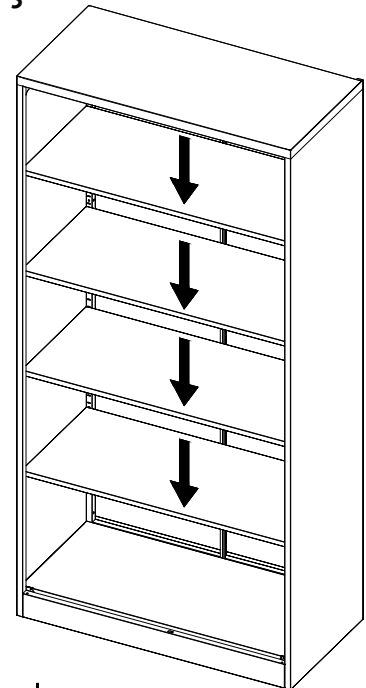
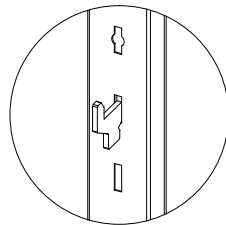
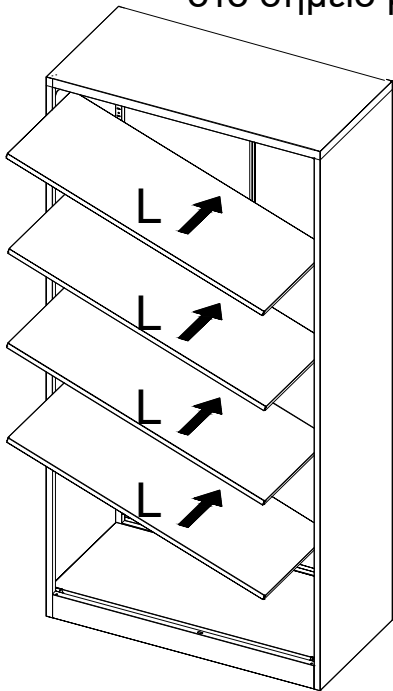
7



N×4

8

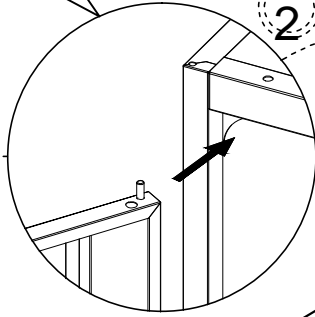
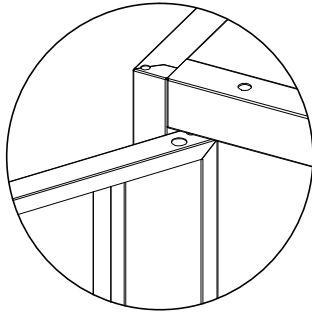
Προτείνουμε να αποφευχθεί η τοποθέτηση ραφιού στο σημείο μηχανισμού της κλειδαριάς



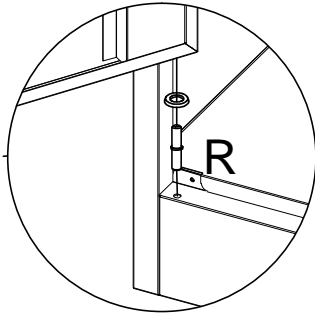
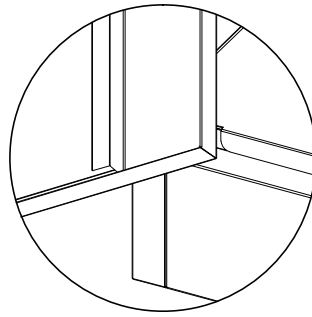
Q×16

9

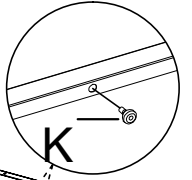
If the spring shaft is lost, spare parts U can be used.



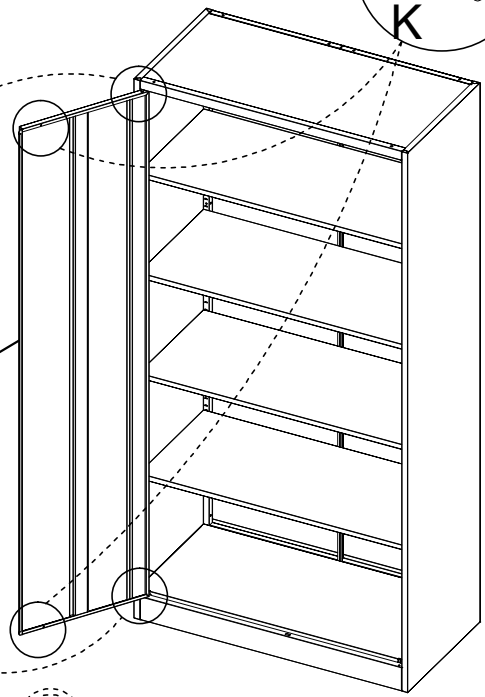
F



1



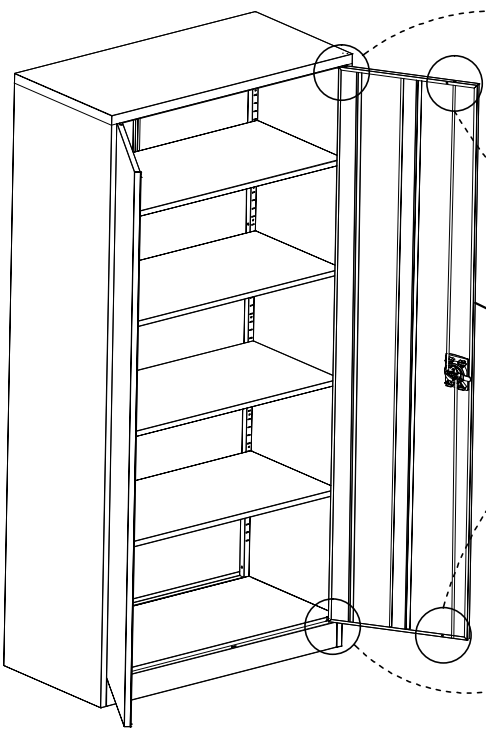
K



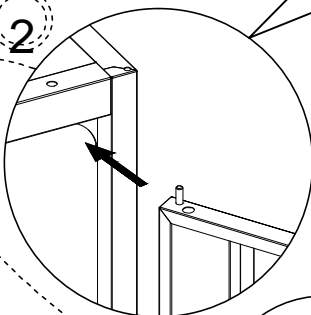
R×1	K×2
-----	-----

10

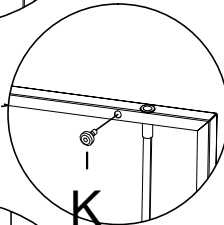
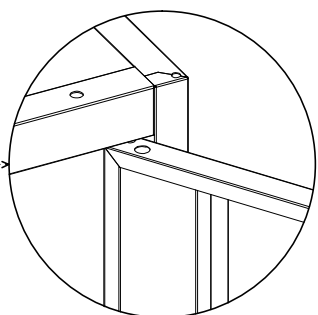
If the spring shaft is lost, spare parts U can be used.



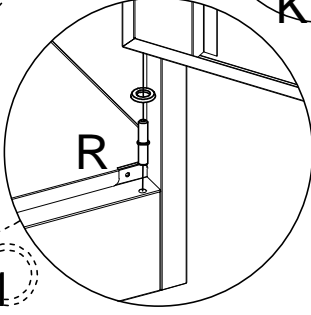
2



E

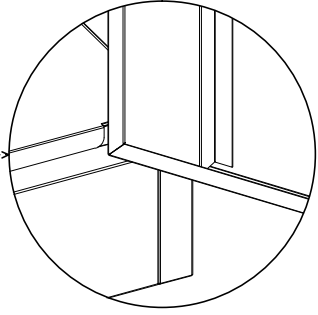


K



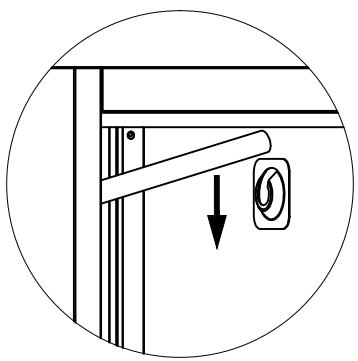
R

1

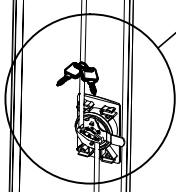
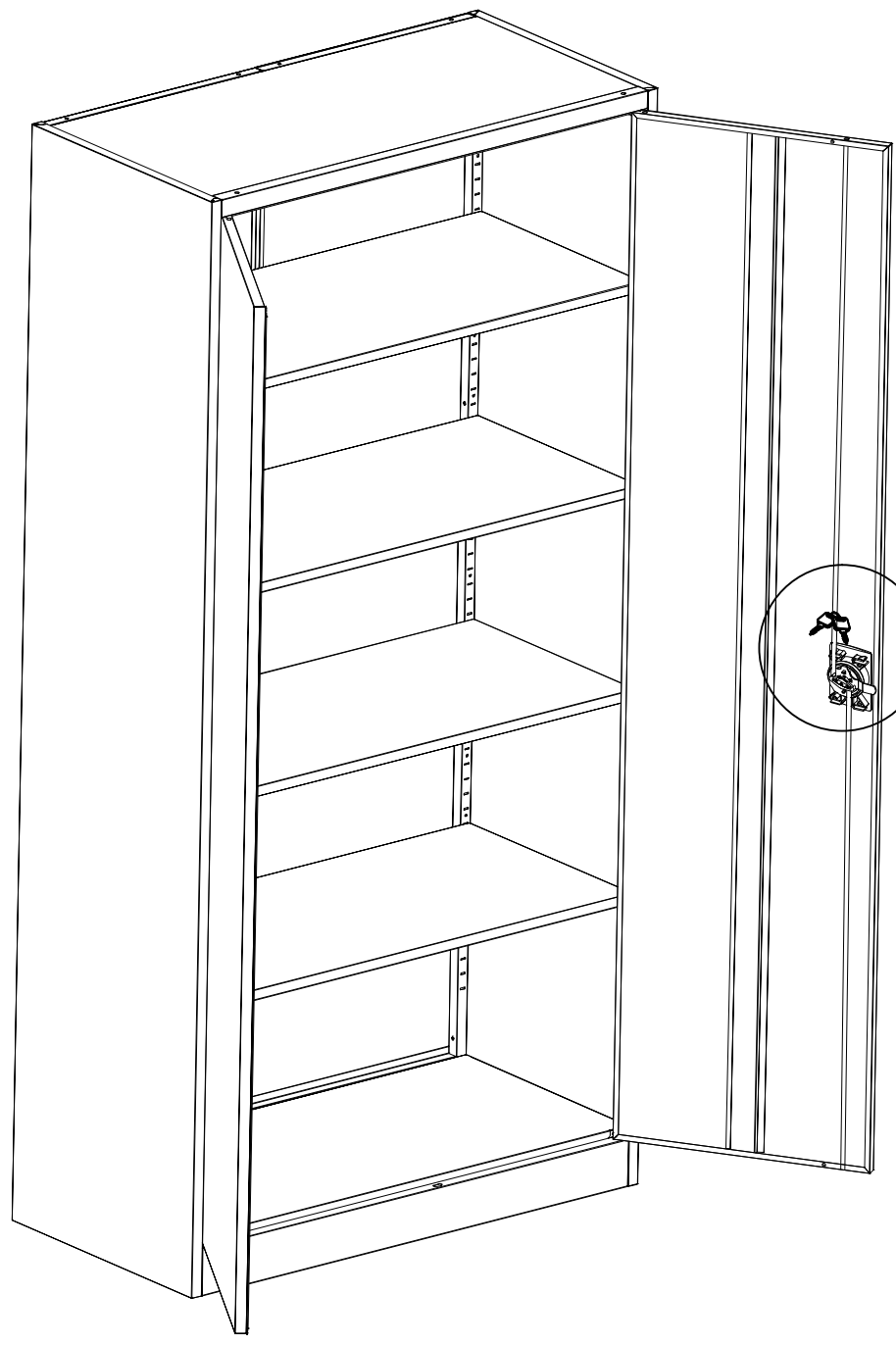
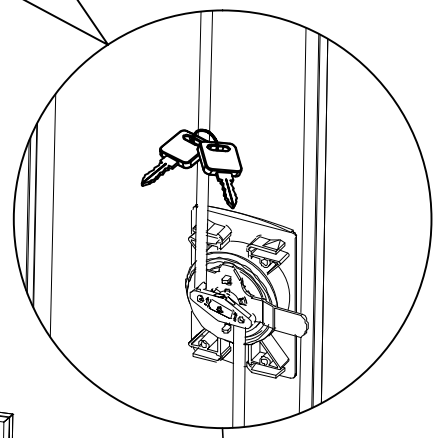


R×1	K×2
-----	-----

11

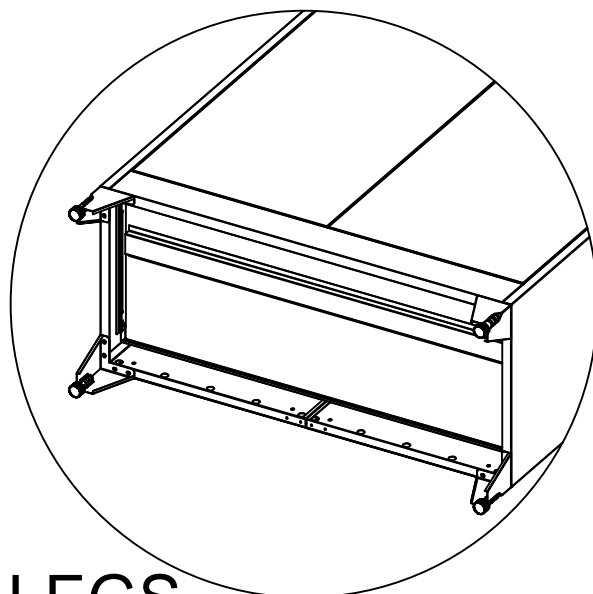
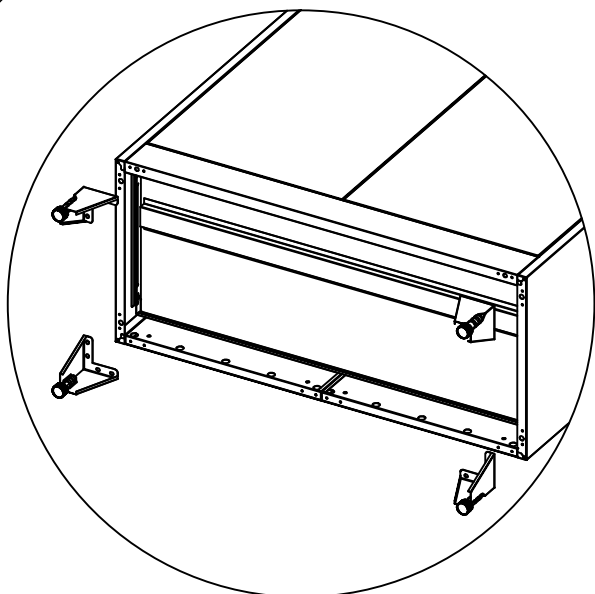


The key is here

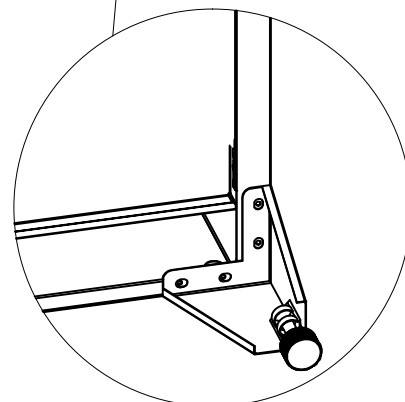
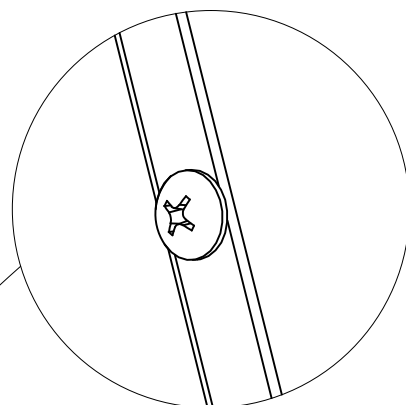
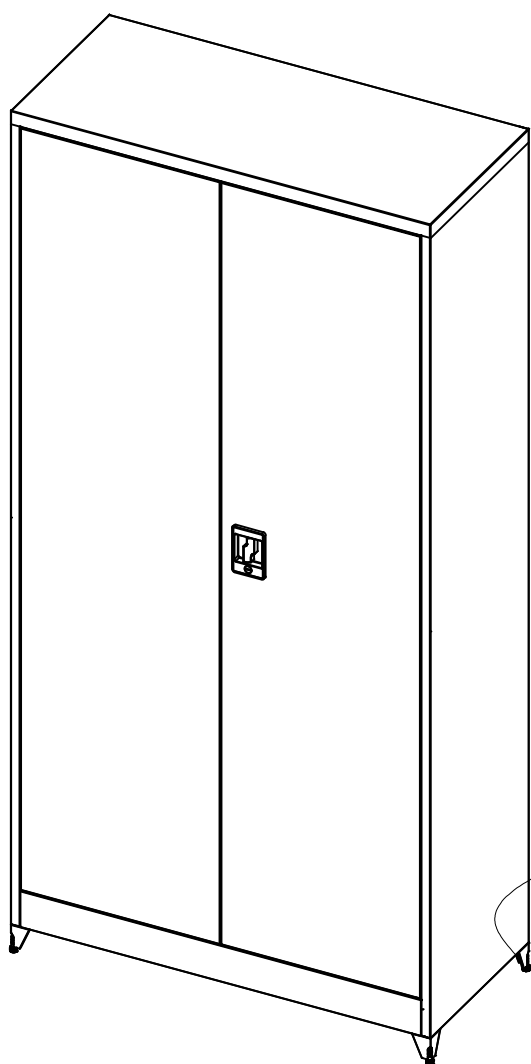


T×1

12



OPTIONAL FOR THE LEGS



S × 4 | N × 16