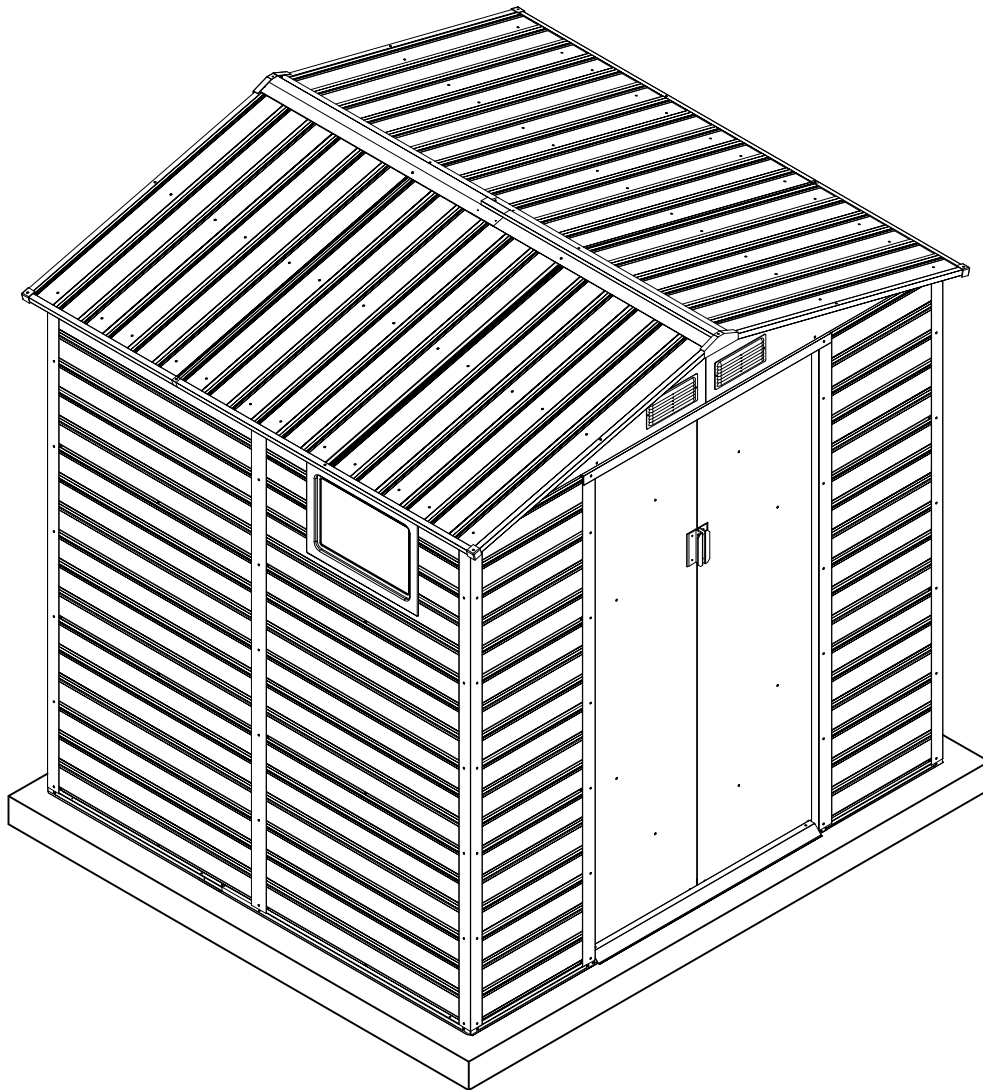


# Metal Shed

6/22/2019

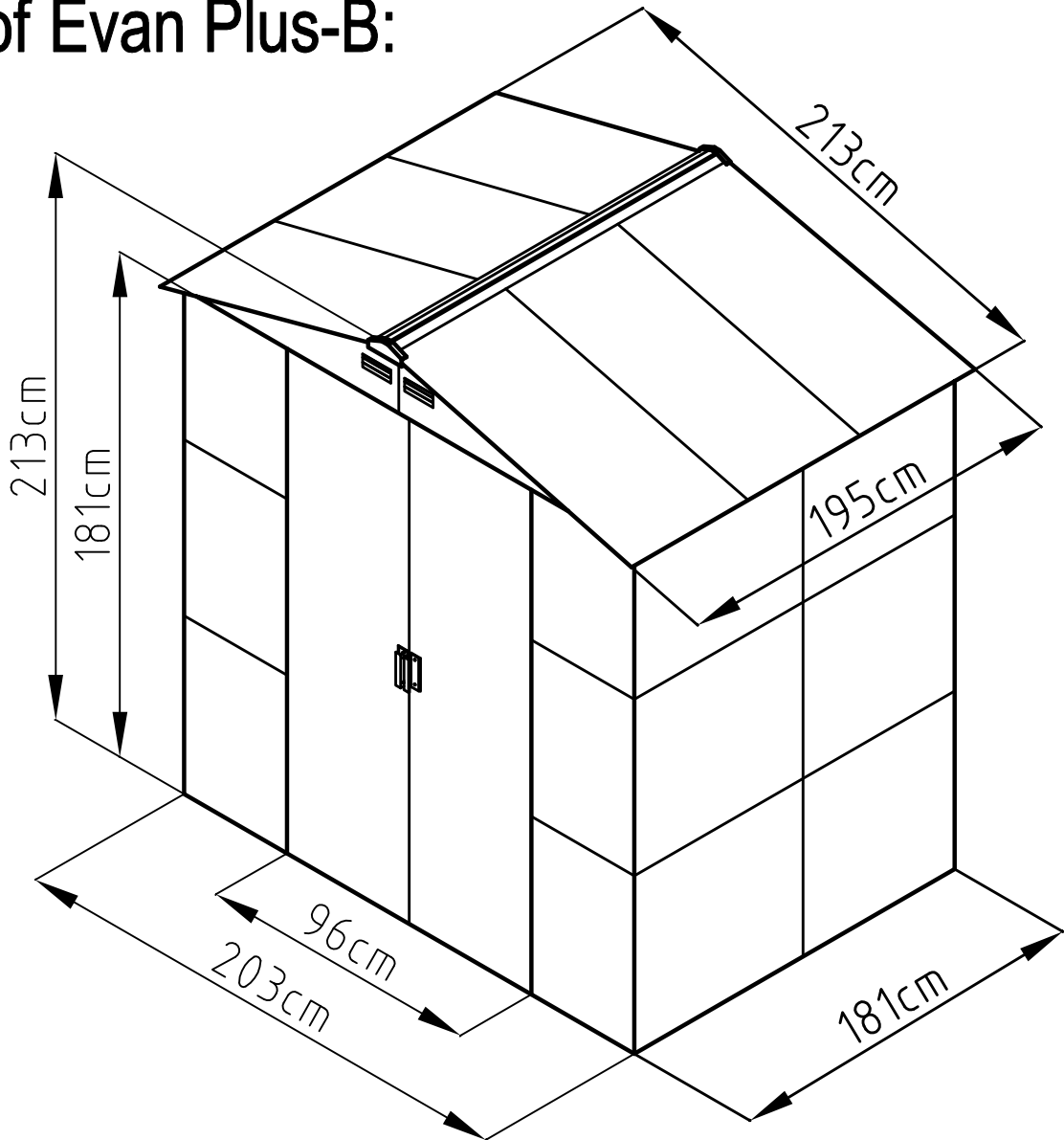
## OWNER'S MANUAL / Instructions for Assembly Evan Plus-B



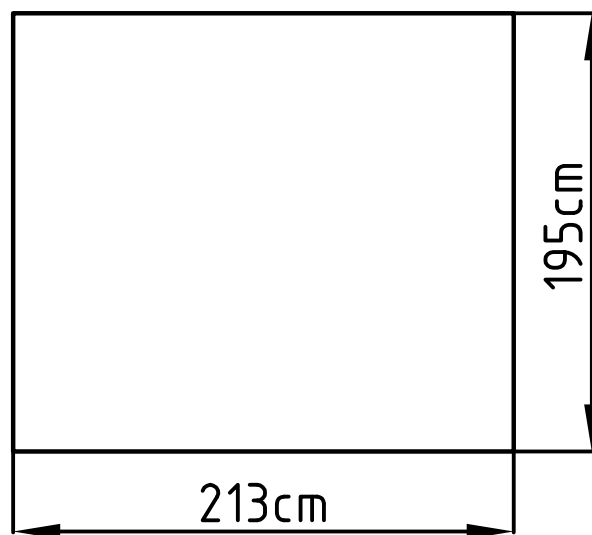
---

Requires two people and takes 2-3 hours for Installation.

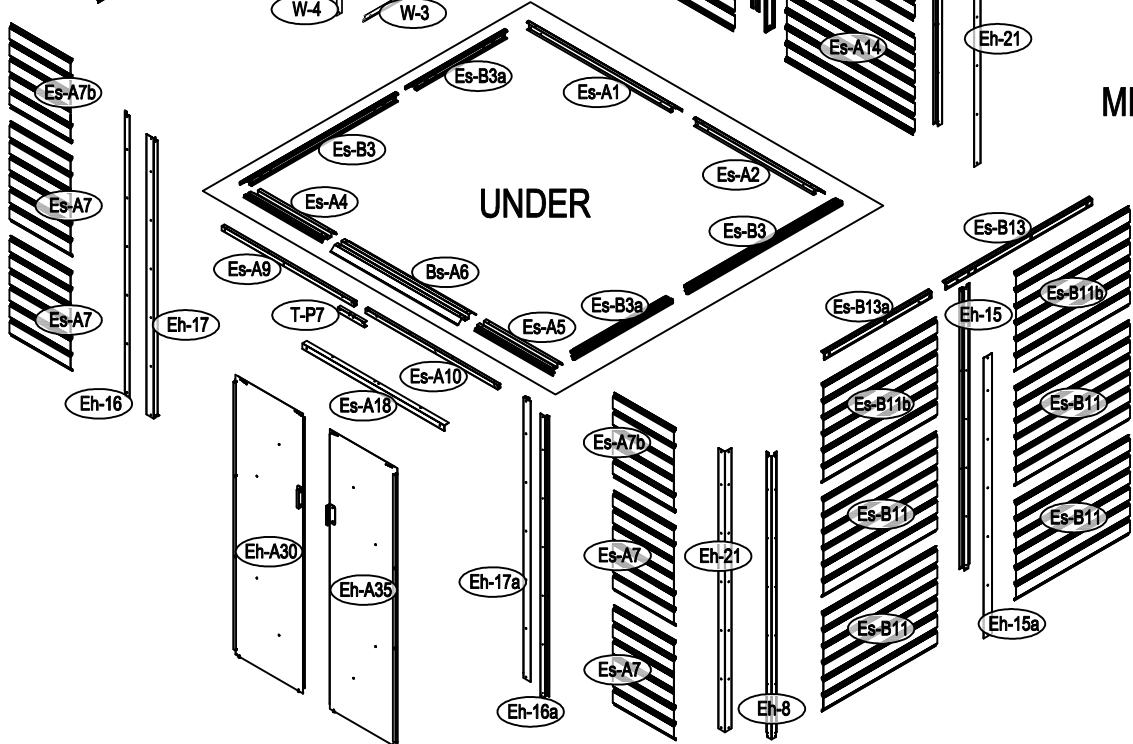
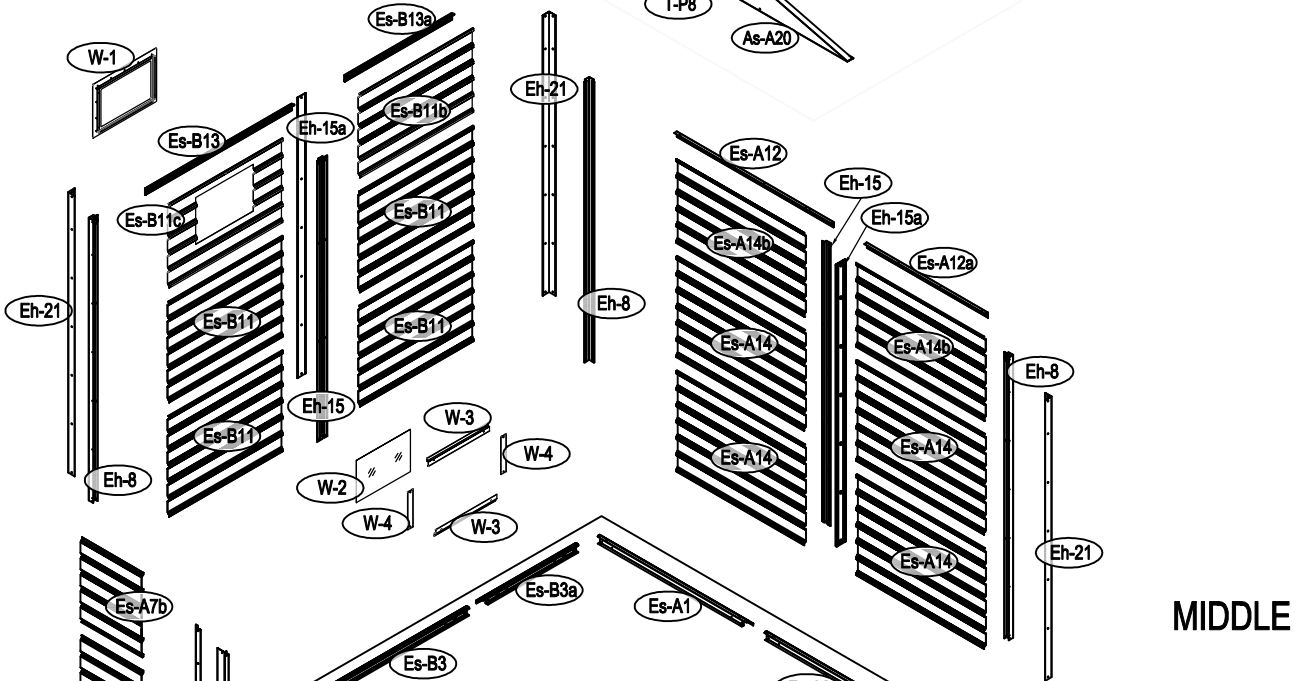
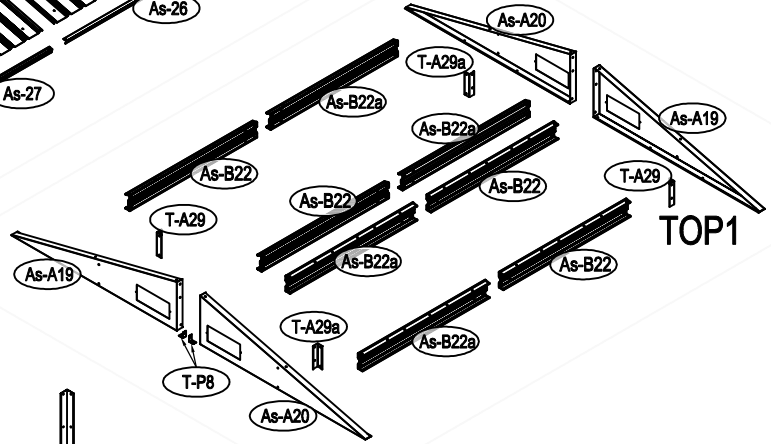
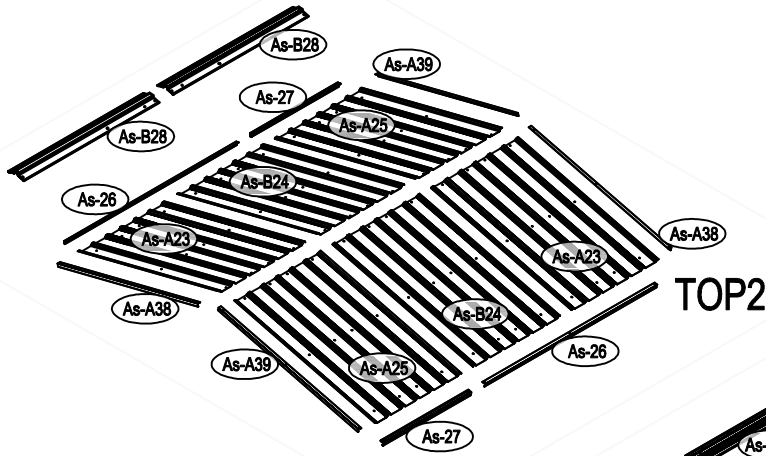
## Size of Evan Plus-B:



## Area of installation requirement:

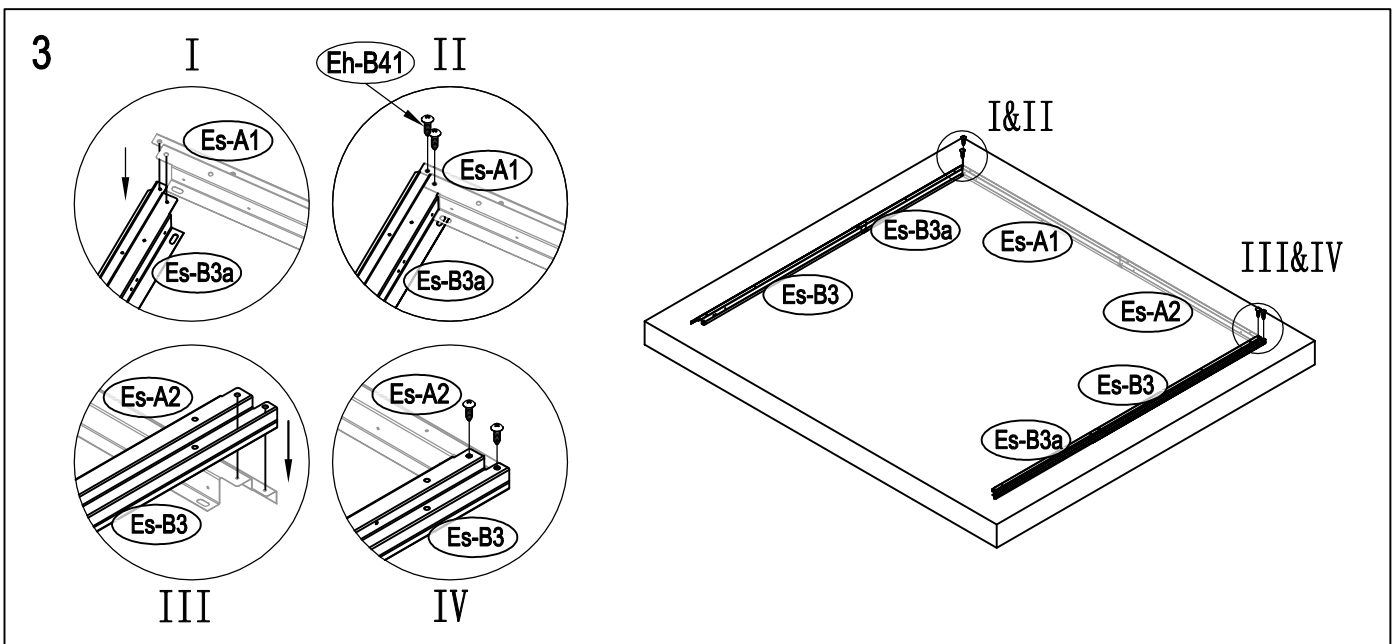
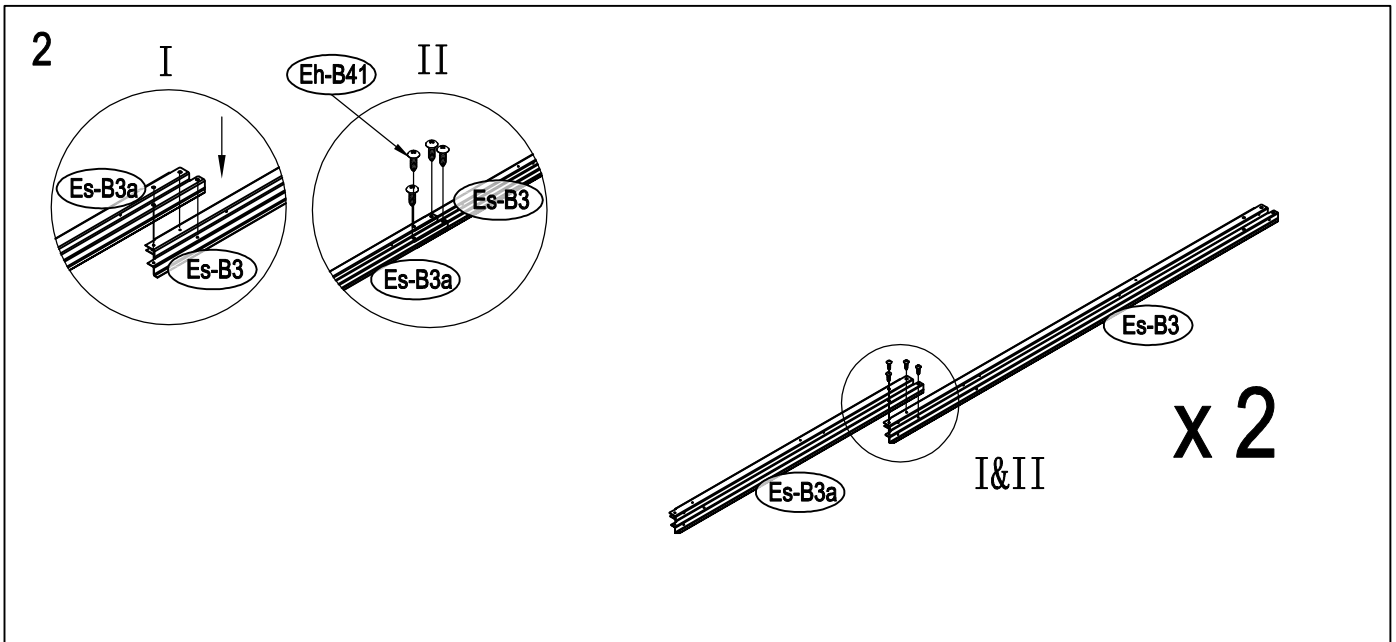
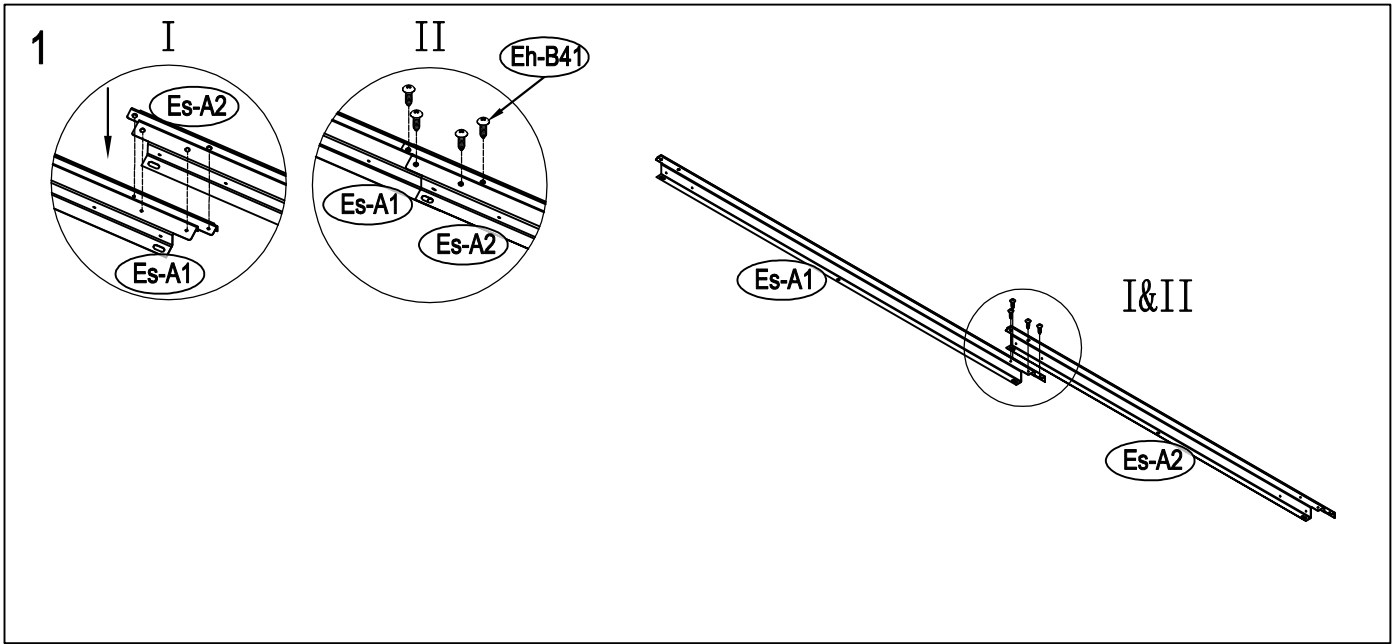


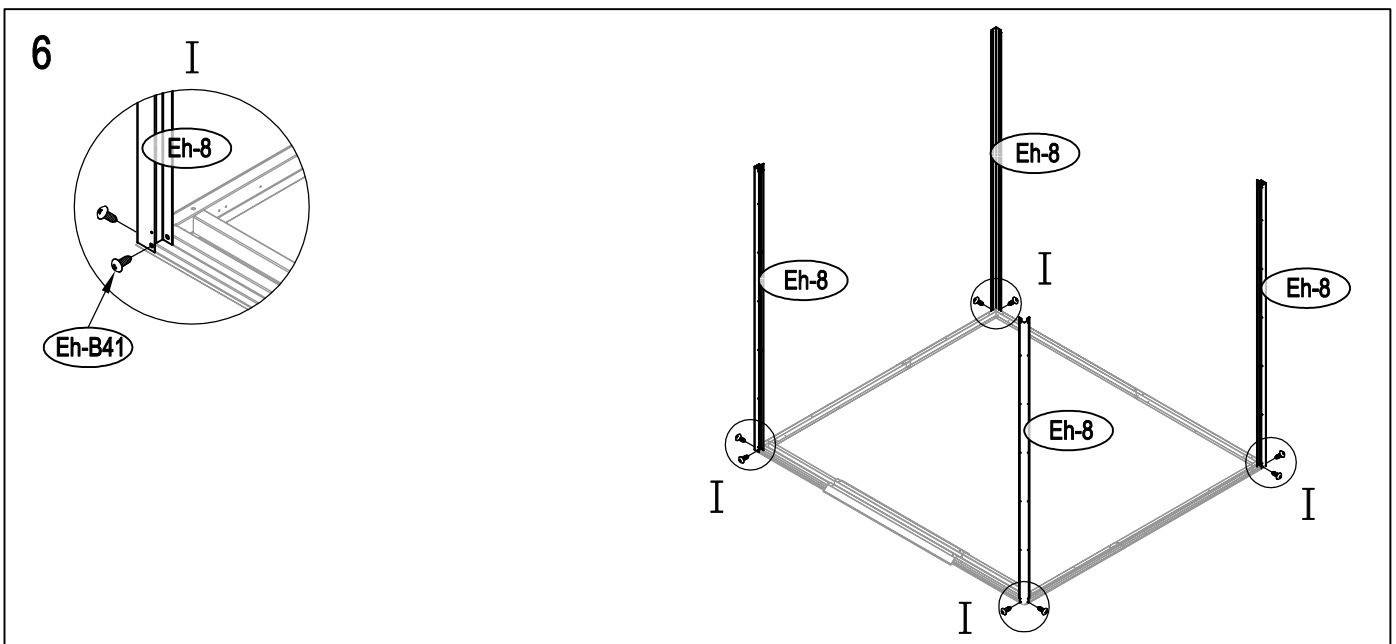
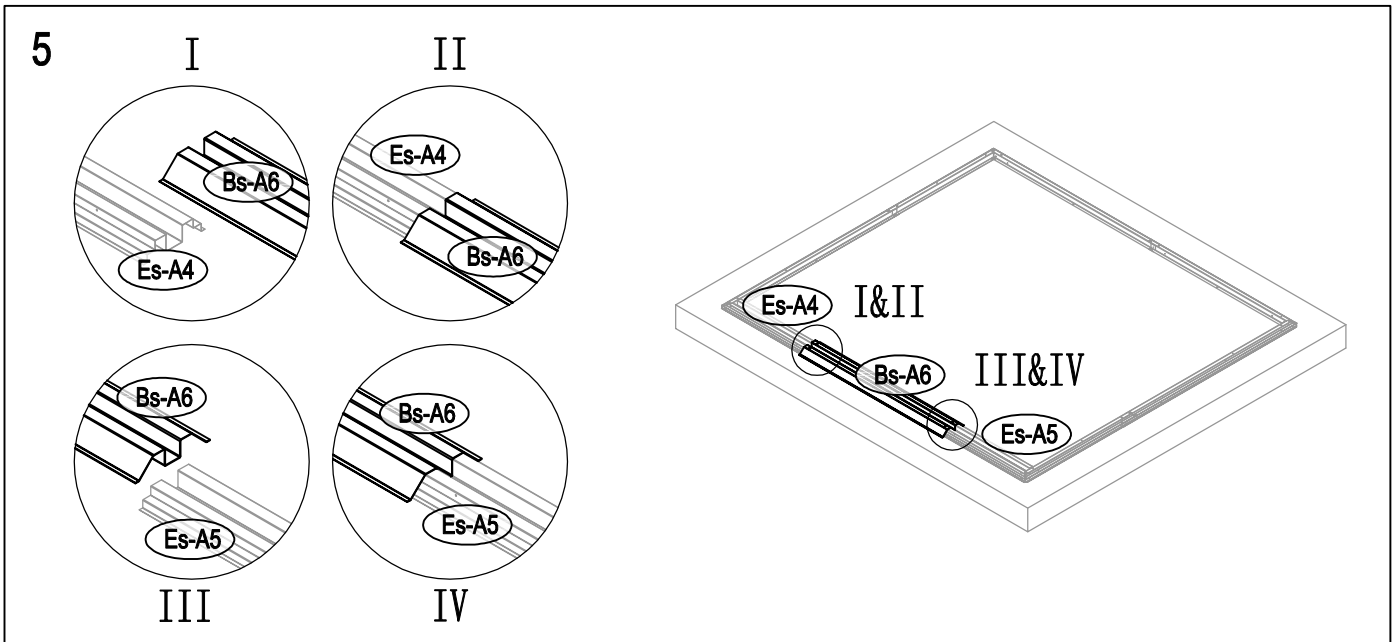
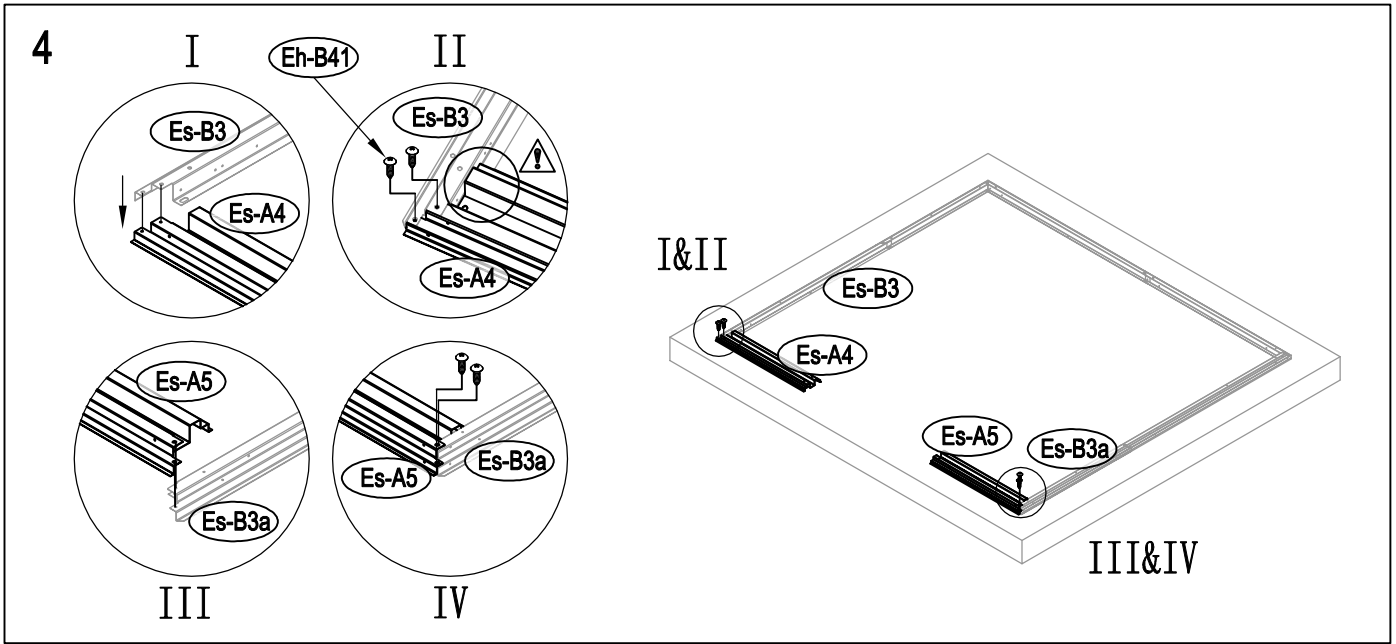
# Evan Plus-B:

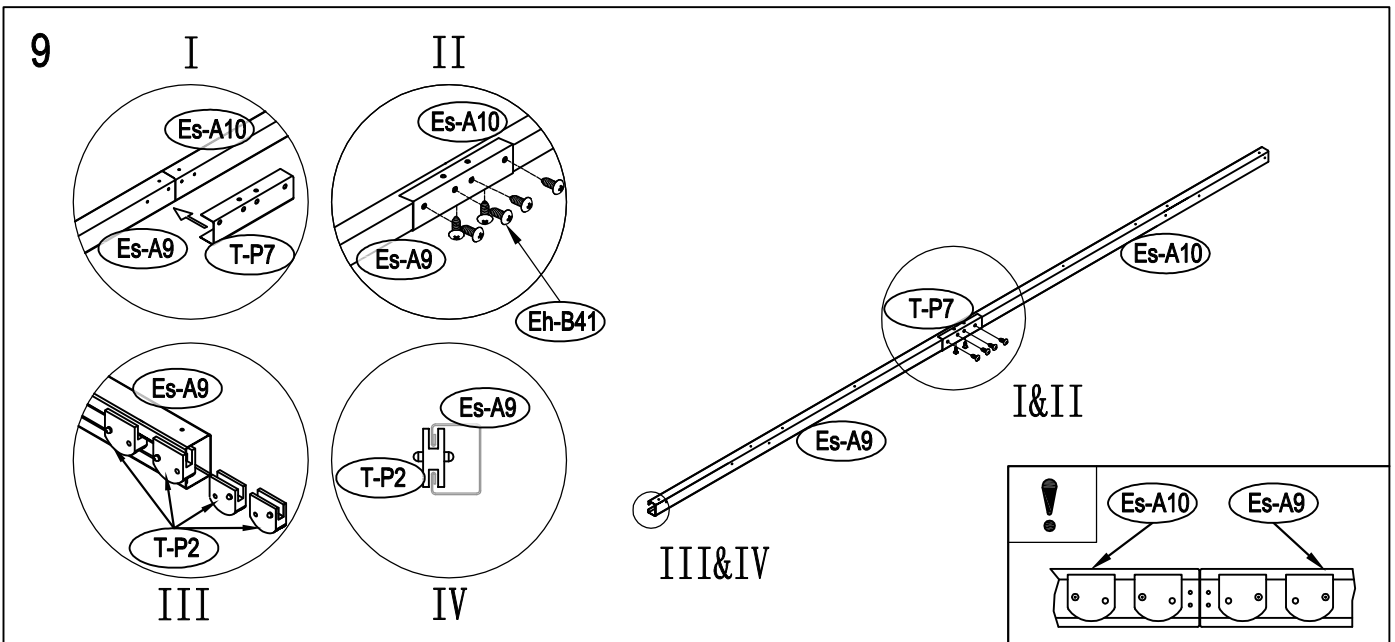
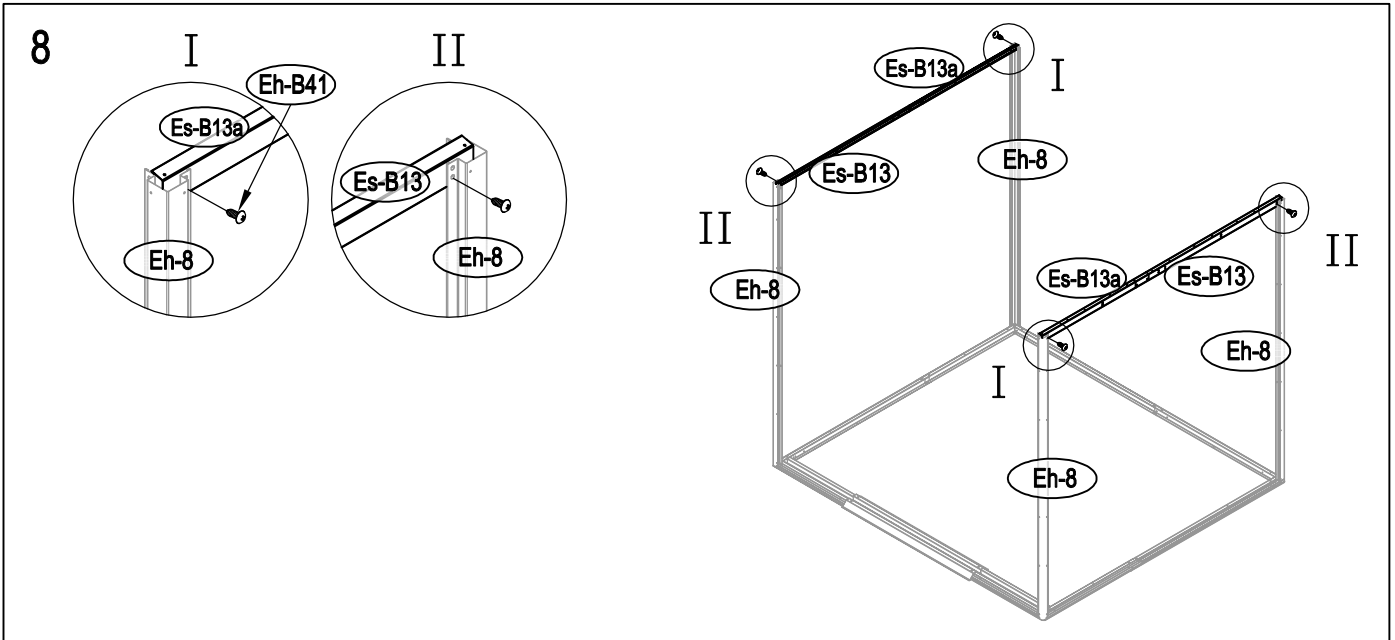
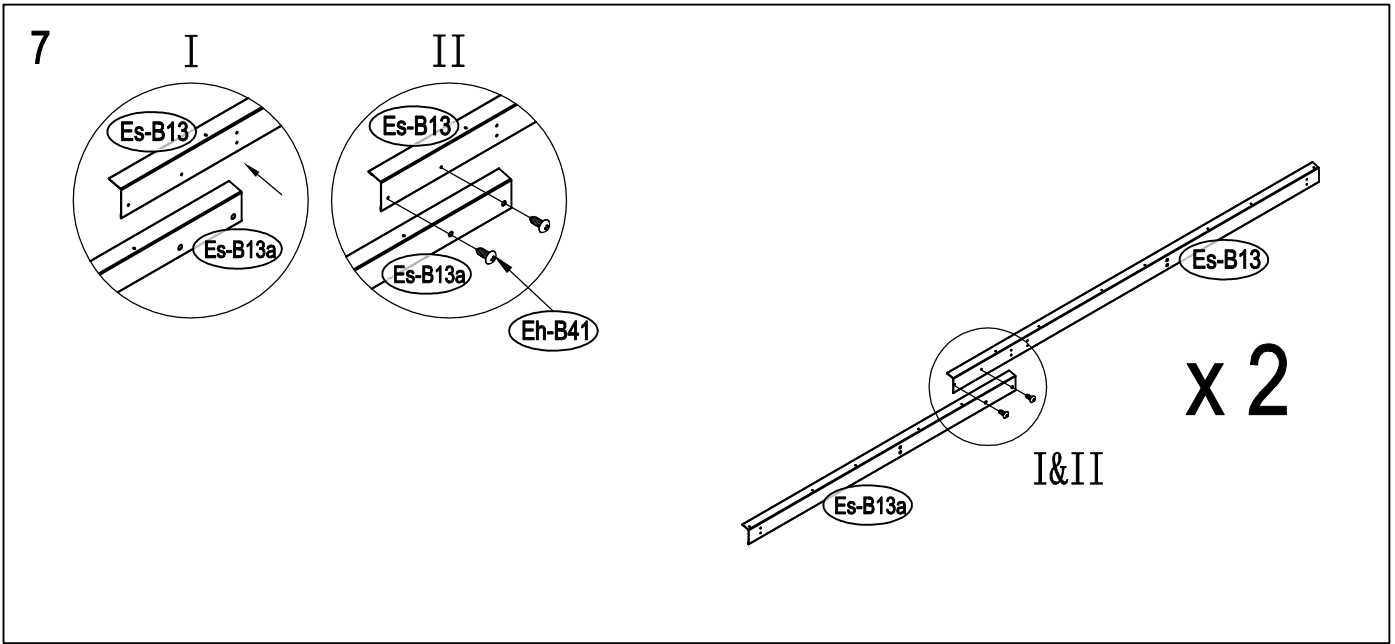


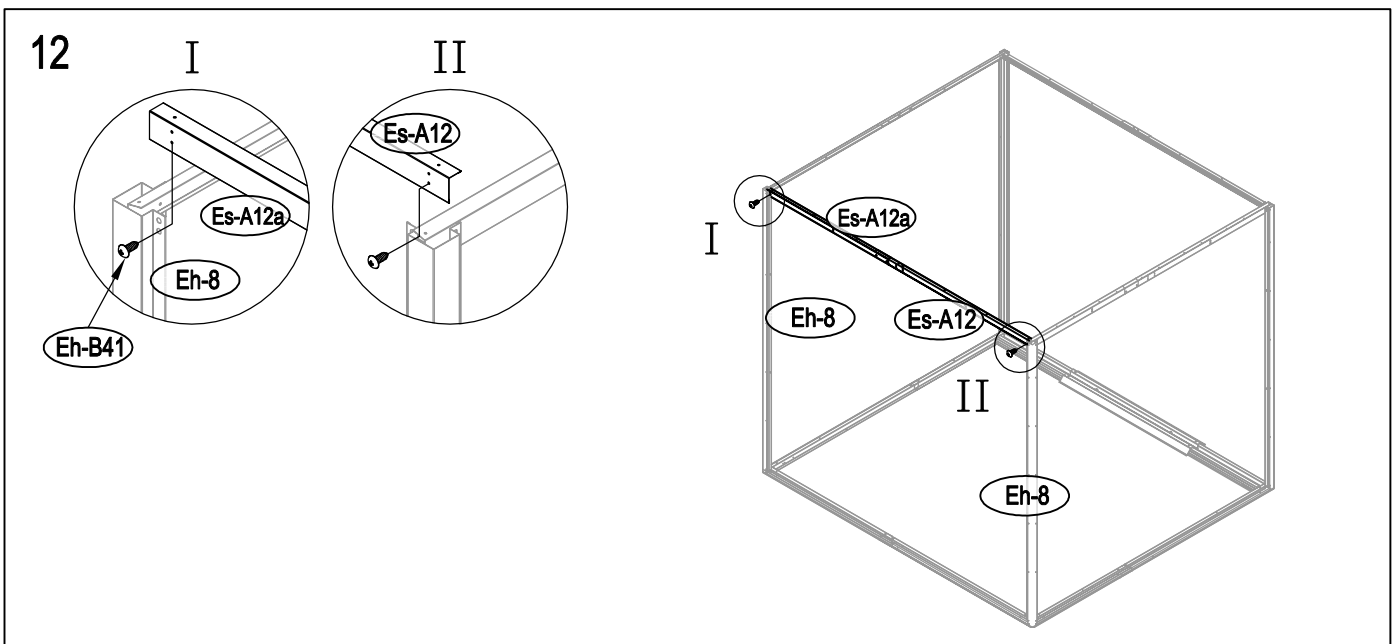
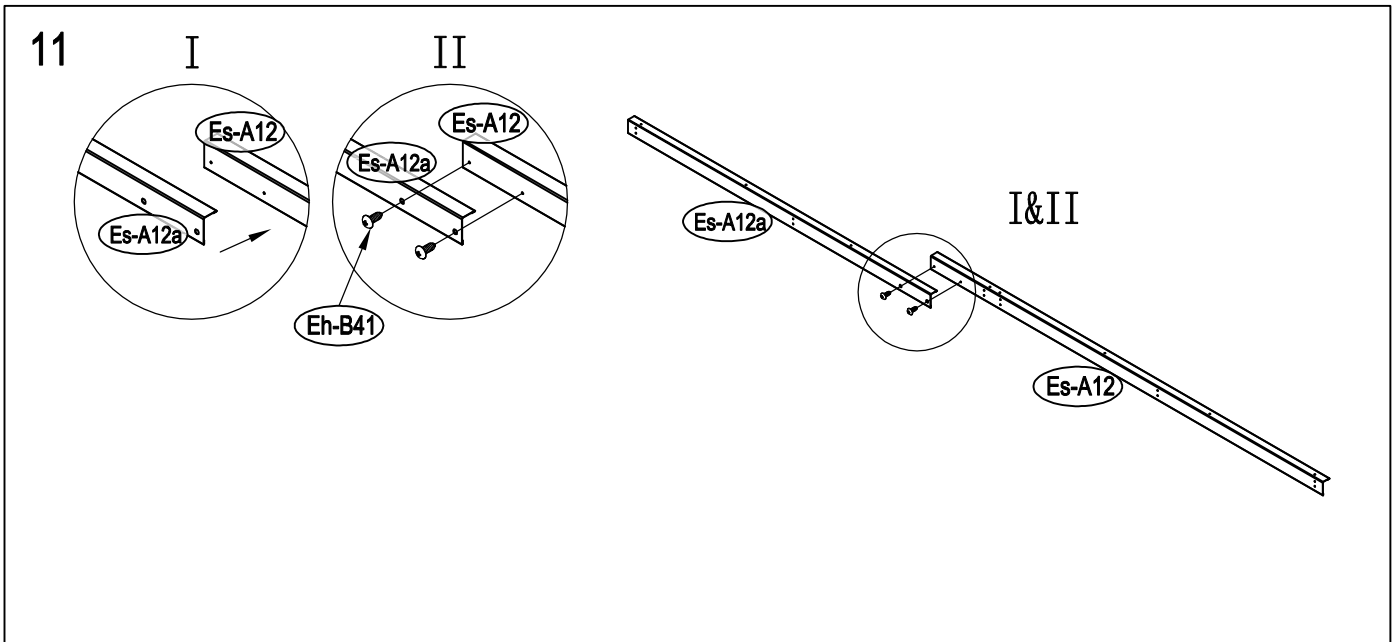
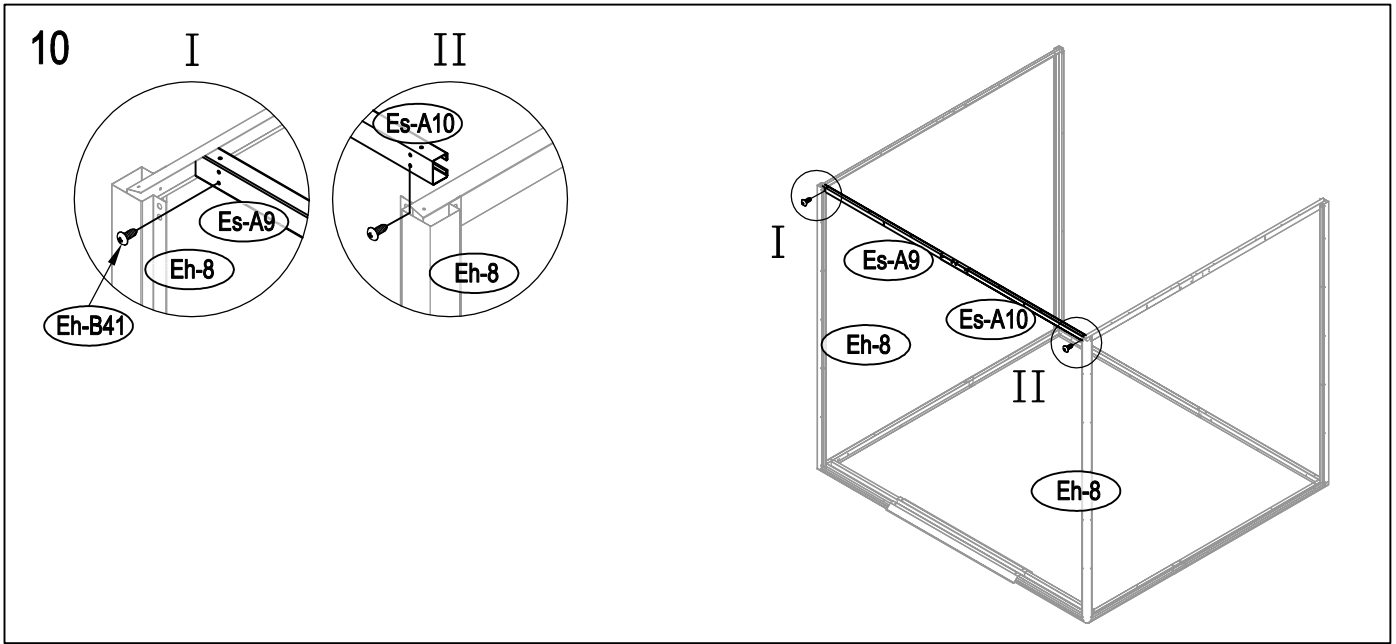
NO.	IMAGE	mm	QTY
<b>UNDER</b>			
Es-A1		1155	x1
Es-A2		974	x1
Es-B3		1170	x2
Es-B3a		747	x2
Es-A4		590	x1
Es-A5		590	x1
Bs-A6		958	x1
<b>MIDDLE</b>			
Es-A7		460	x4
Es-A7b		460	x2
Es-B11		857	x8
Es-B11b		857	x3
Es-B11c		857	x1
Es-A14		963	x4
Es-A14b		963	x2
Eh-8		1843	x4
Es-A9		995.5	x1
Es-A10		995.5	x1
Es-A12		1180.5	x1
Es-A12a		910.5	x1
Es-B13		1100	x2
Es-B13a		804	x2
Eh-15		1843	x3
Eh-15a		1828	x3
Eh-16		1843	x1
Eh-16a		1843	x1
Eh-17		1828	x1
Eh-17a		1828	x1
Es-A18		1066	x1
Eh-21		1828	x4
<b>TOP1</b>			
As-A19		989.3	x2
As-A20		989.3	x2
As-B22		954.5	x4
As-B22a		954.5	x4
T-A29		120	x2
T-A29a		120	x2
<b>WINDOW</b>			
W-1			x1

NO.	IMAGE	mm	QTY
W-2			x1
W-3		460	x2
W-4		246	x2
<b>TOP2</b>			
As-A23		1090	x2
As-B24		1090	x2
As-A25		1090	x2
As-26		1296	x2
As-27		657	x2
As-A38		1088	x2
As-A39		1088	x2
As-B28		1017	x2
<b>DOOR</b>			
Eh-A30		1823	x1
Eh-A35		1823	x1
Eh-31		1763	x2
Eh-A32		944	x4
Bs-A33		486	x1
Bs-A34		486	x1
Bs-A36		486	x1
Bs-A37		486	x1
<b>ANNEX</b>			
T-P1			x4
T-P2			x4
T-P3			x4
T-P4			x2
TP5A			x4
T-P6			x2
T-P7		200	x1
T-P8			x2
Eh-B40			x287
Eh-B41			x344
Eh-B42			x18
Eh-B43			x102
Eh-B44			x143



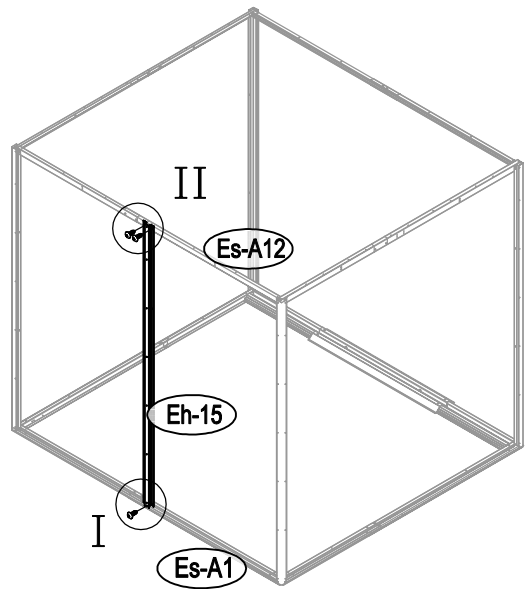
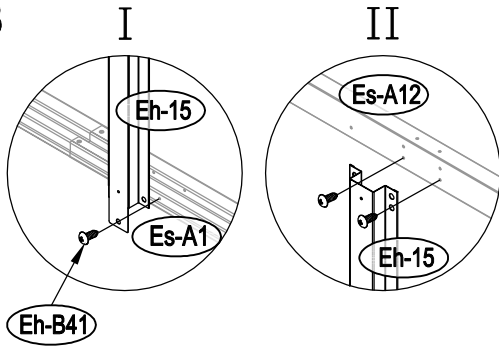




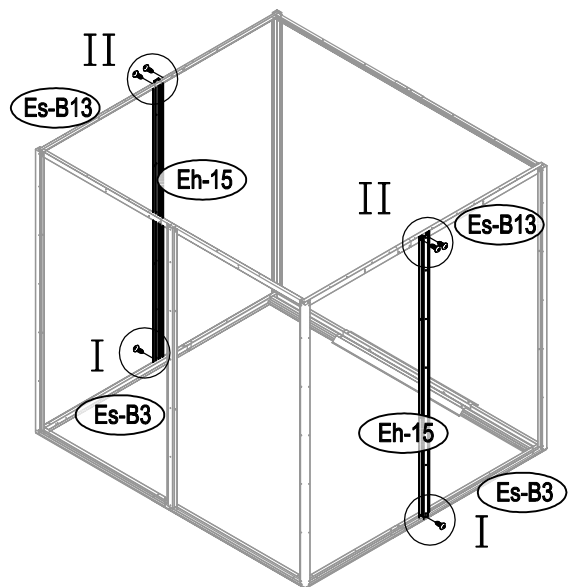
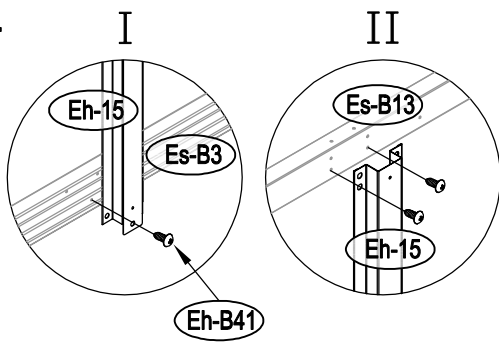




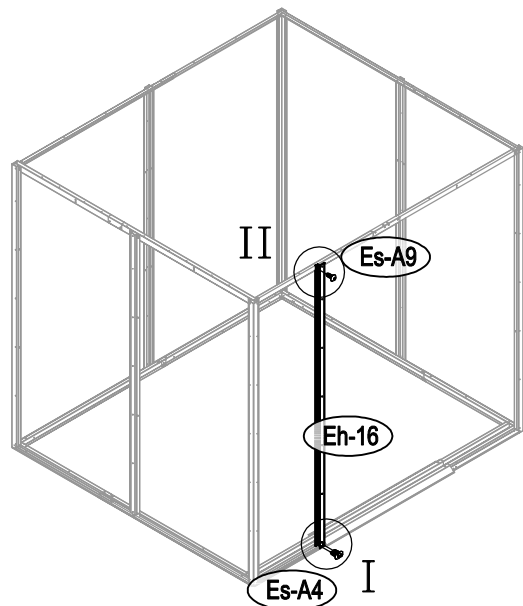
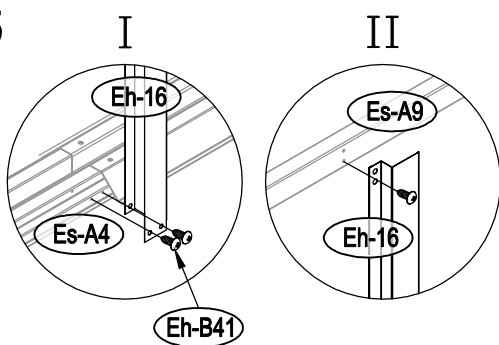
13



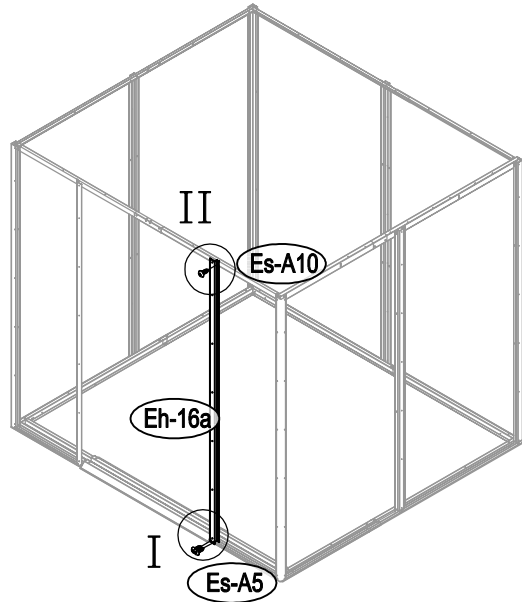
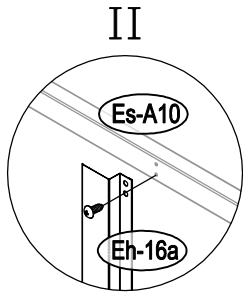
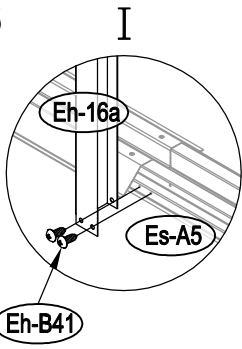
14



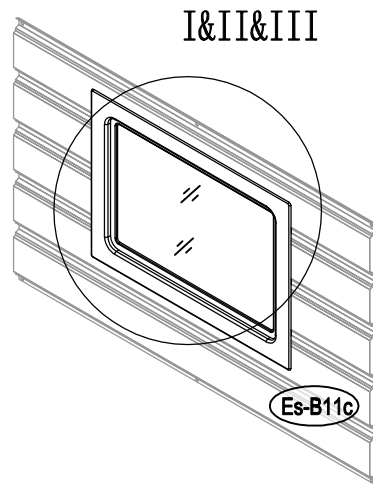
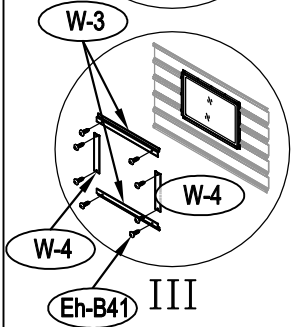
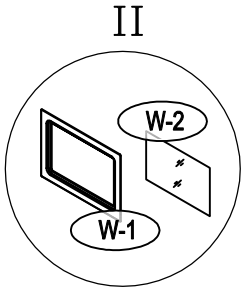
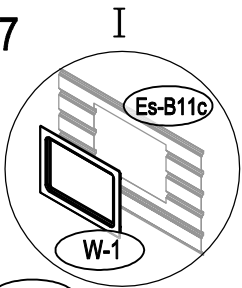
15



16



17



18

