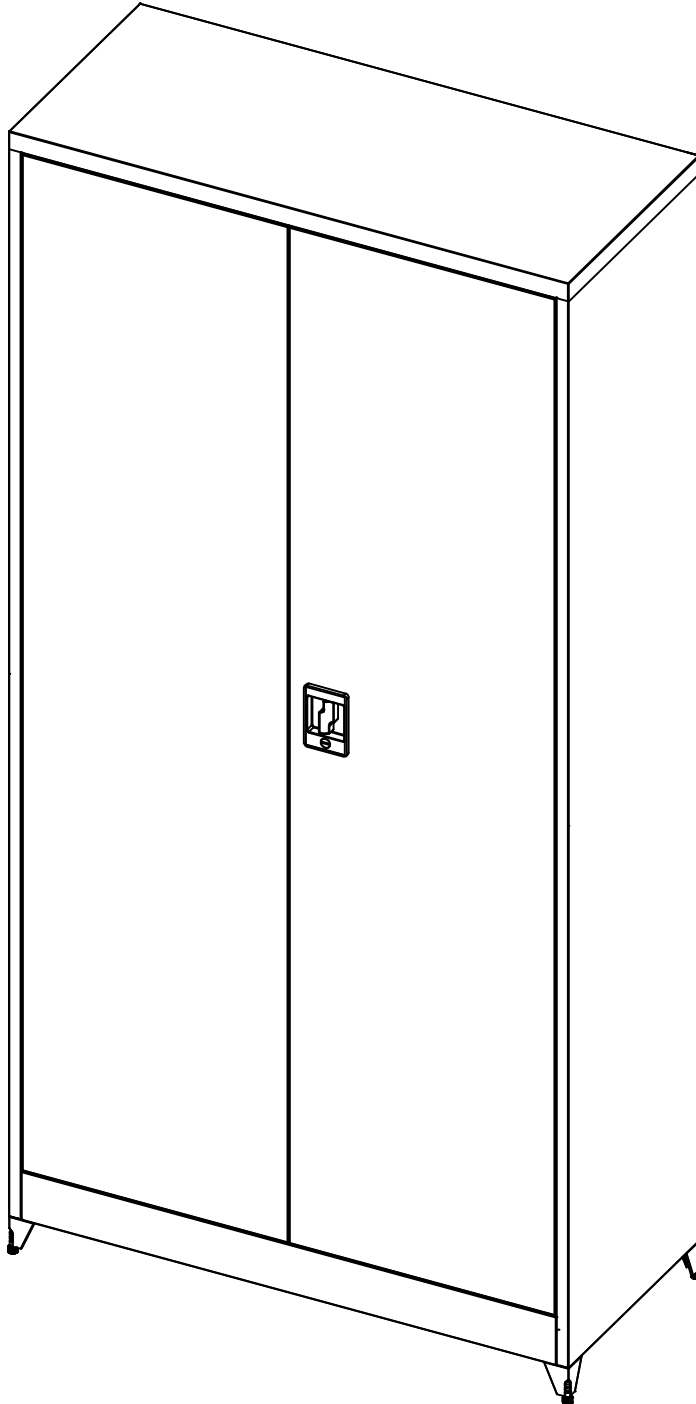


Manual for
452.07051
452.07057
452.04051
452.04057

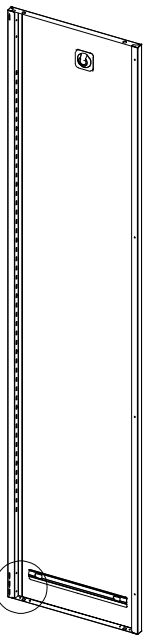
STEELLEN
METAL DESIGN & EQUIPMENT



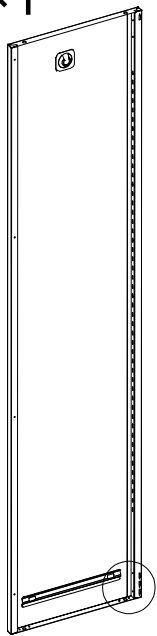
Tips:

1. Avoid bumping and destroying the surface layer when using.
2. Avoid violent opening and closing of doors or drawers.
3. Wipe with a soft cotton (dip with water if necessary), and do not use acid or alkaline detergents for cleaning.

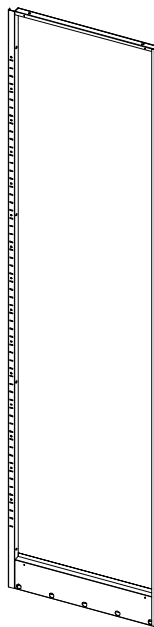
A×1



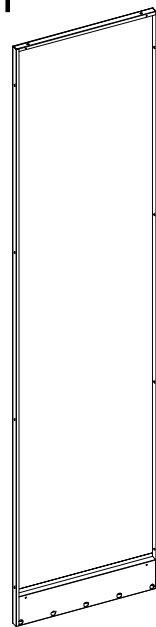
B×1



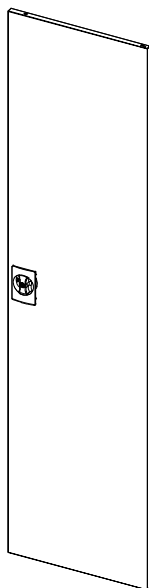
C×1



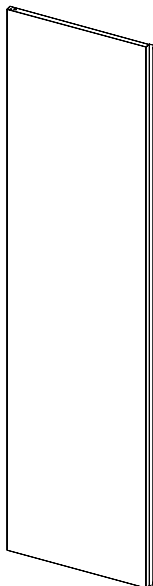
D×1



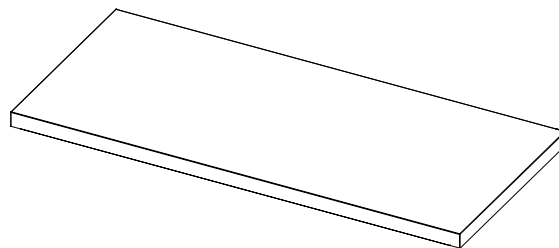
E×1



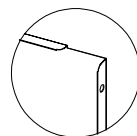
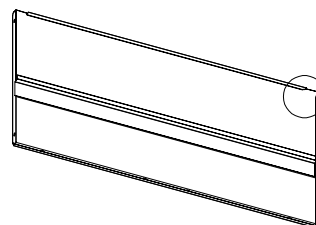
F×1



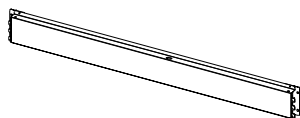
G×1



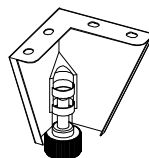
H×1



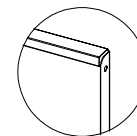
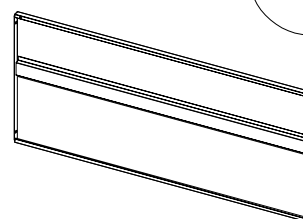
J×1



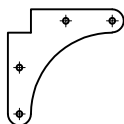
S×4



L×4



I×2



N×48



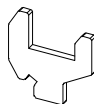
O×4



P×4



Q×16



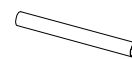
R×2



K×4



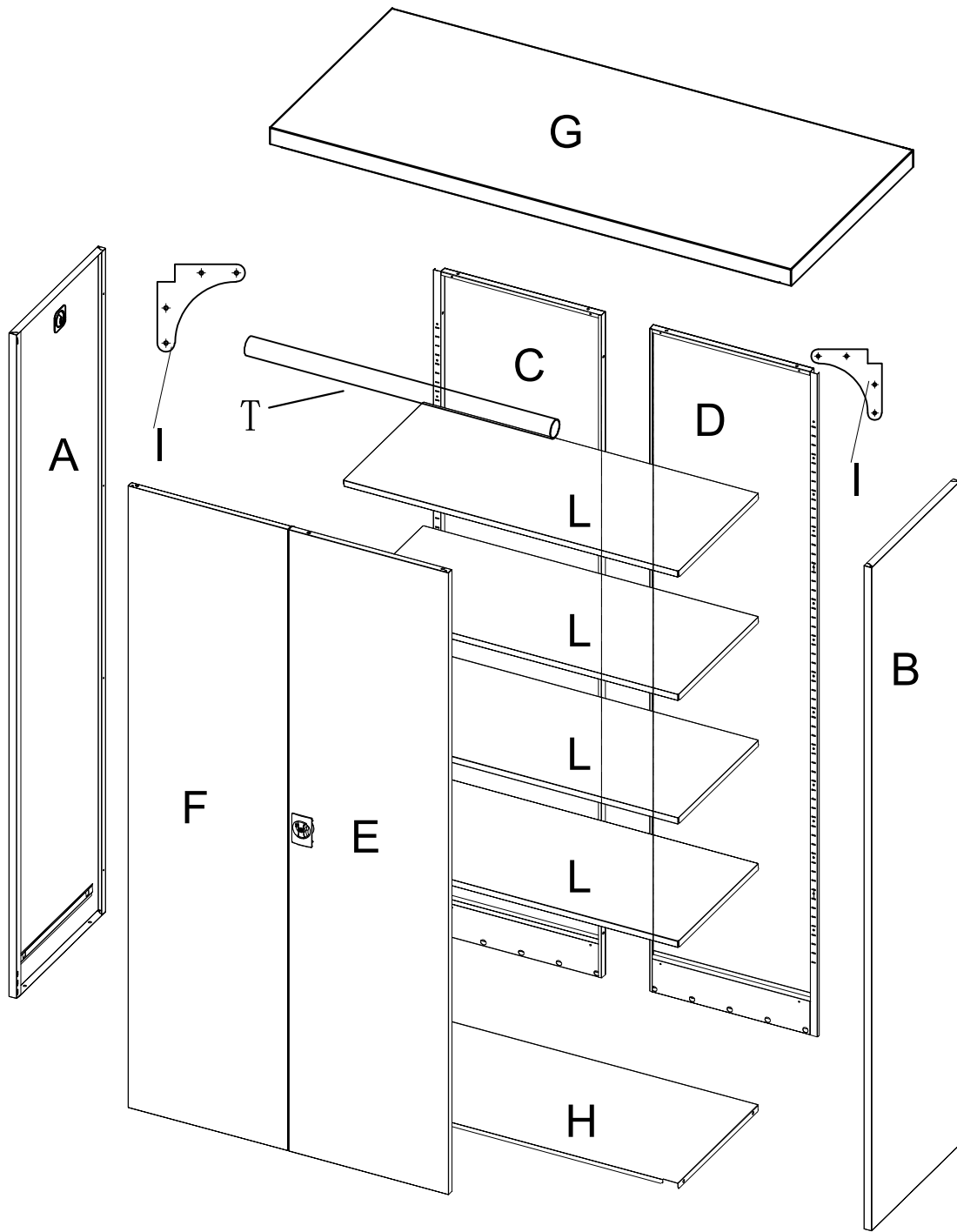
T×1



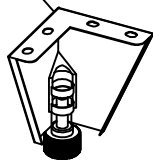
U×2

Standby Application

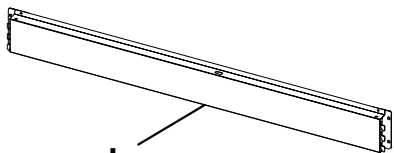




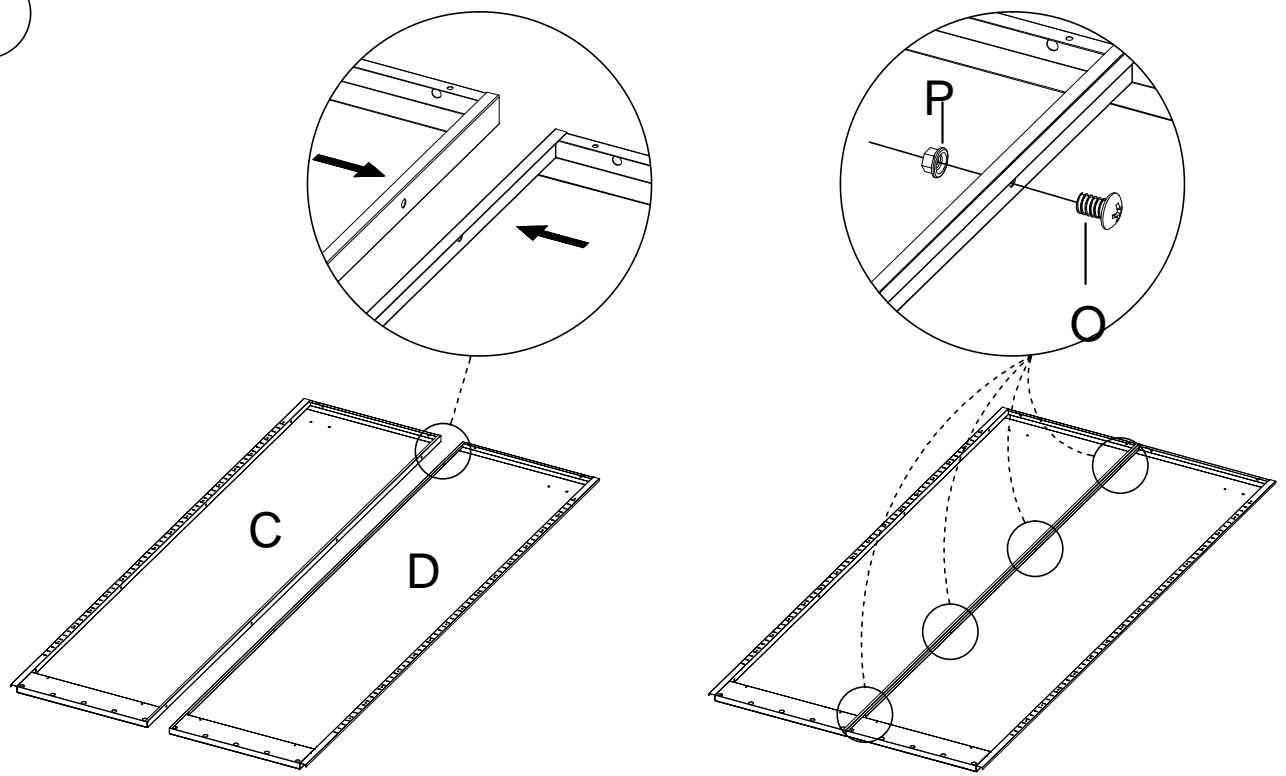
Sx4



J

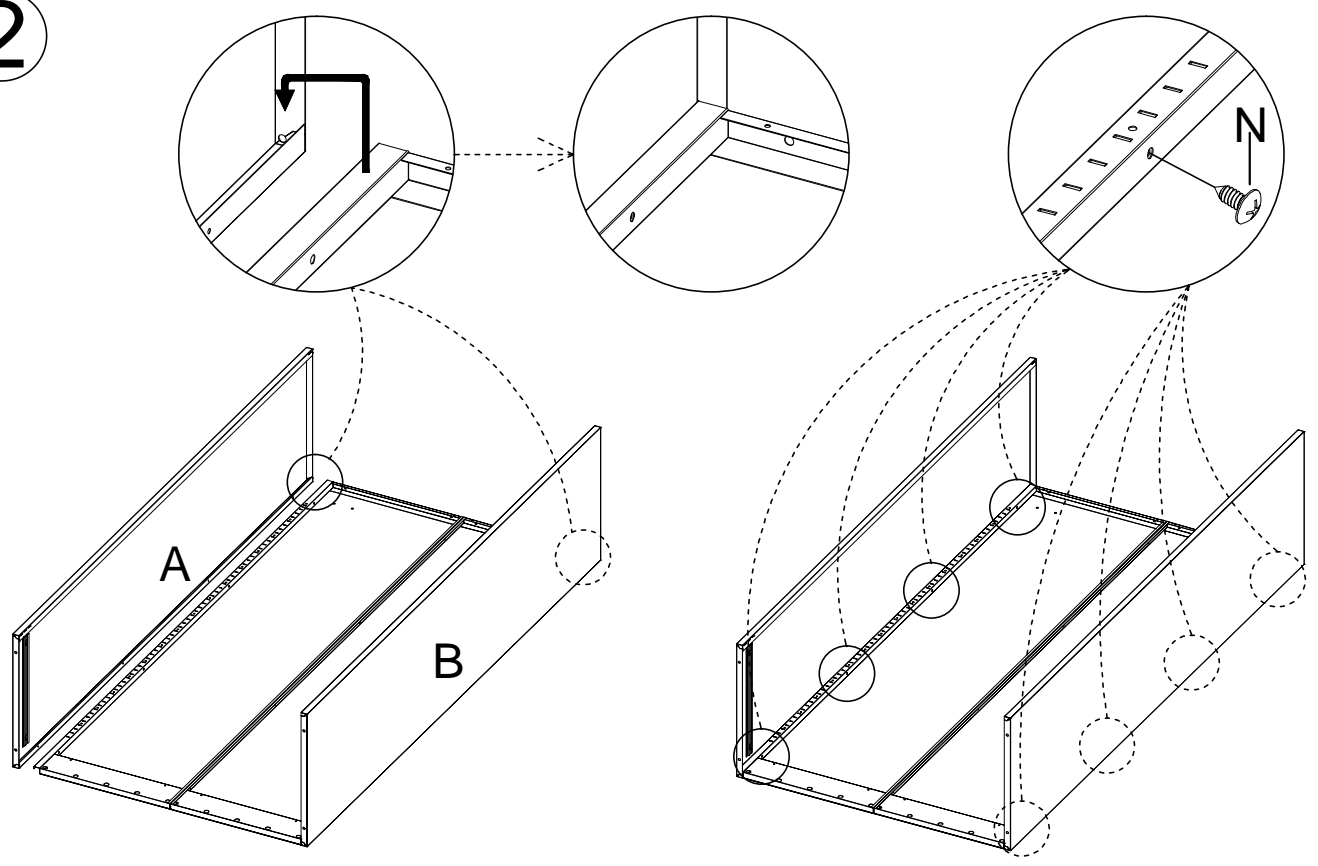


1



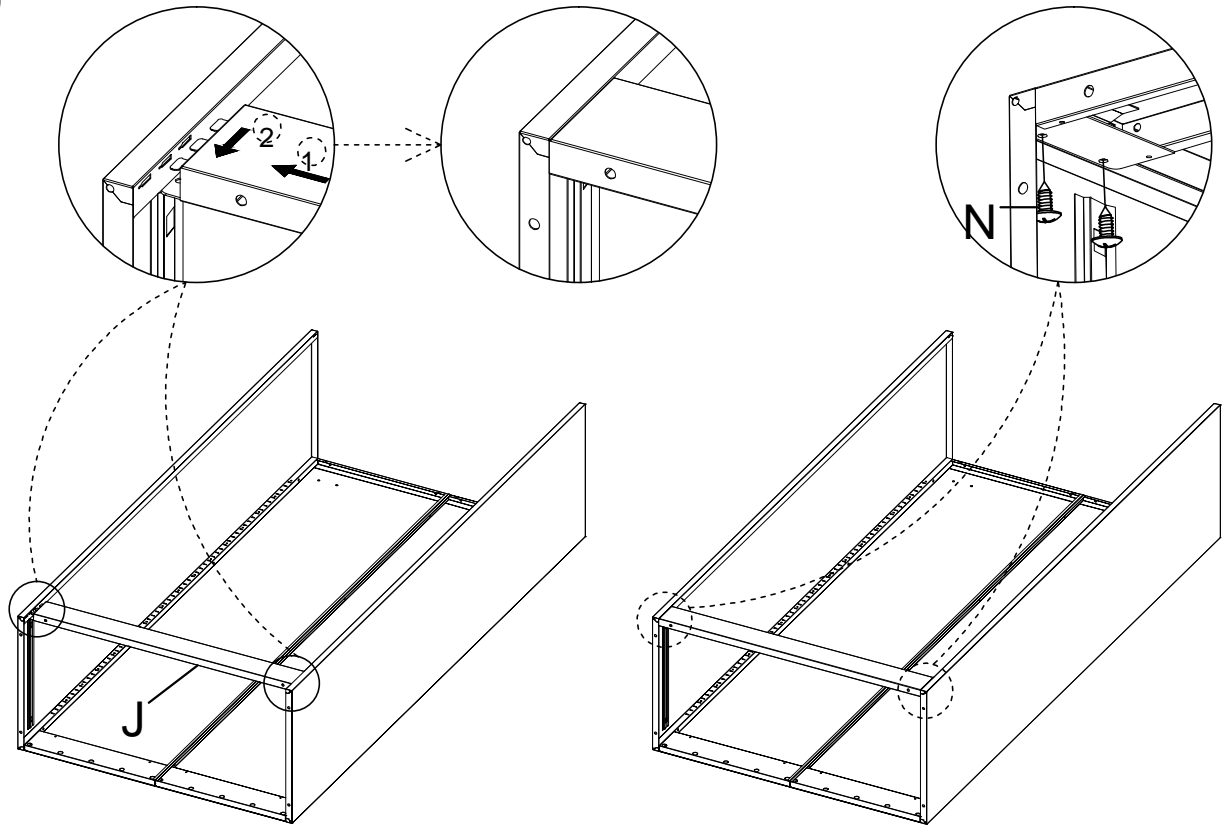
O×4 P×4

2



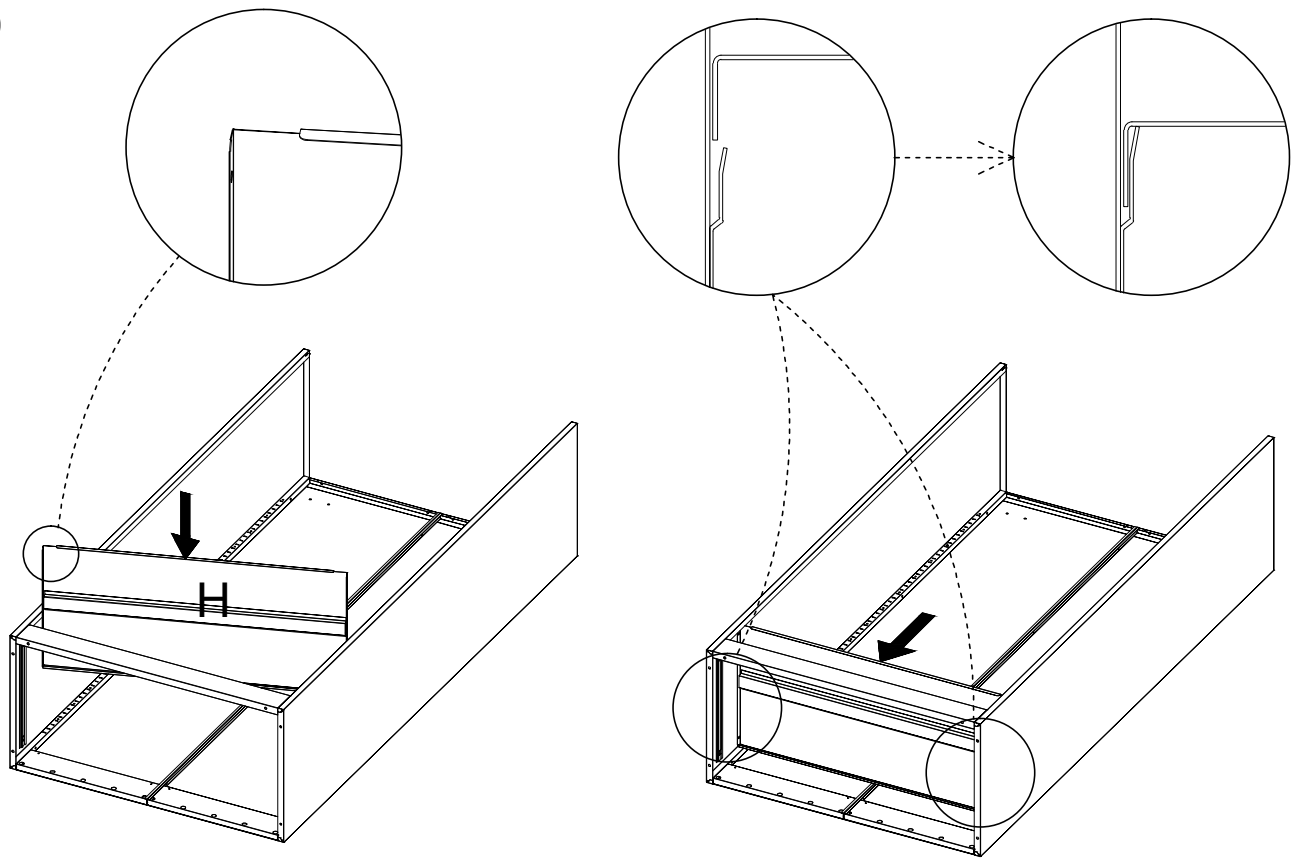
N×8

3

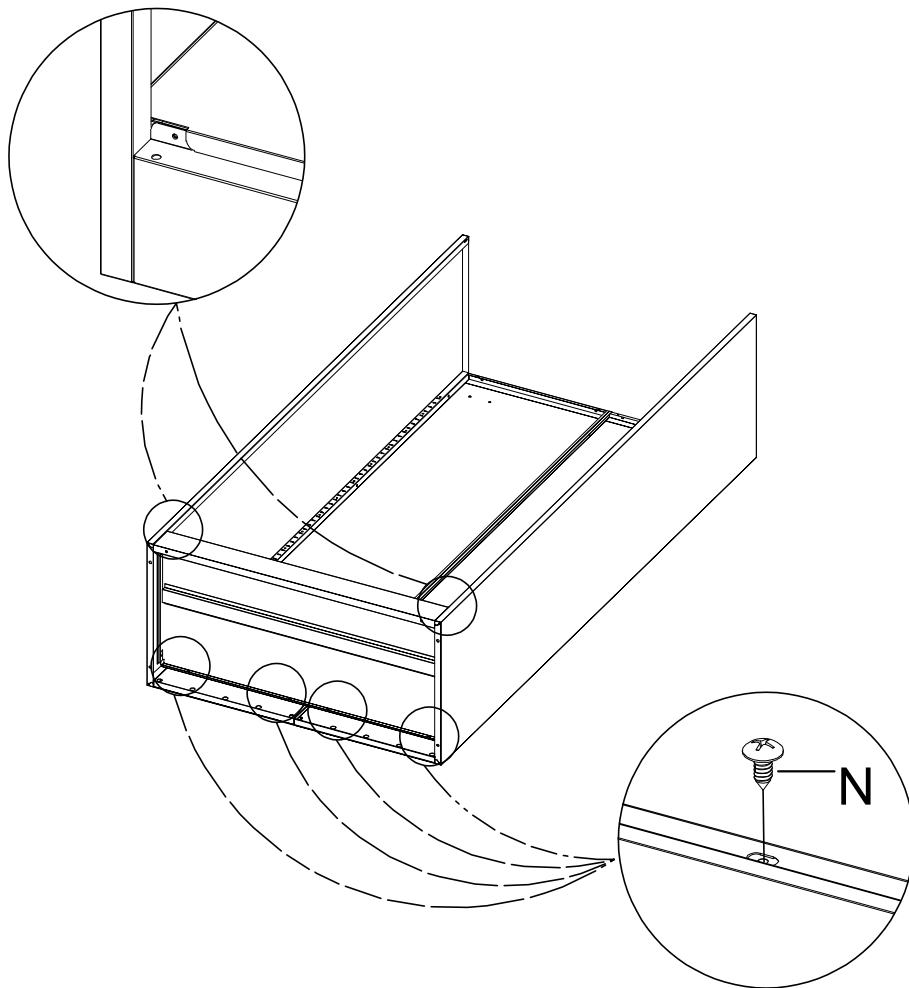


N×4

4

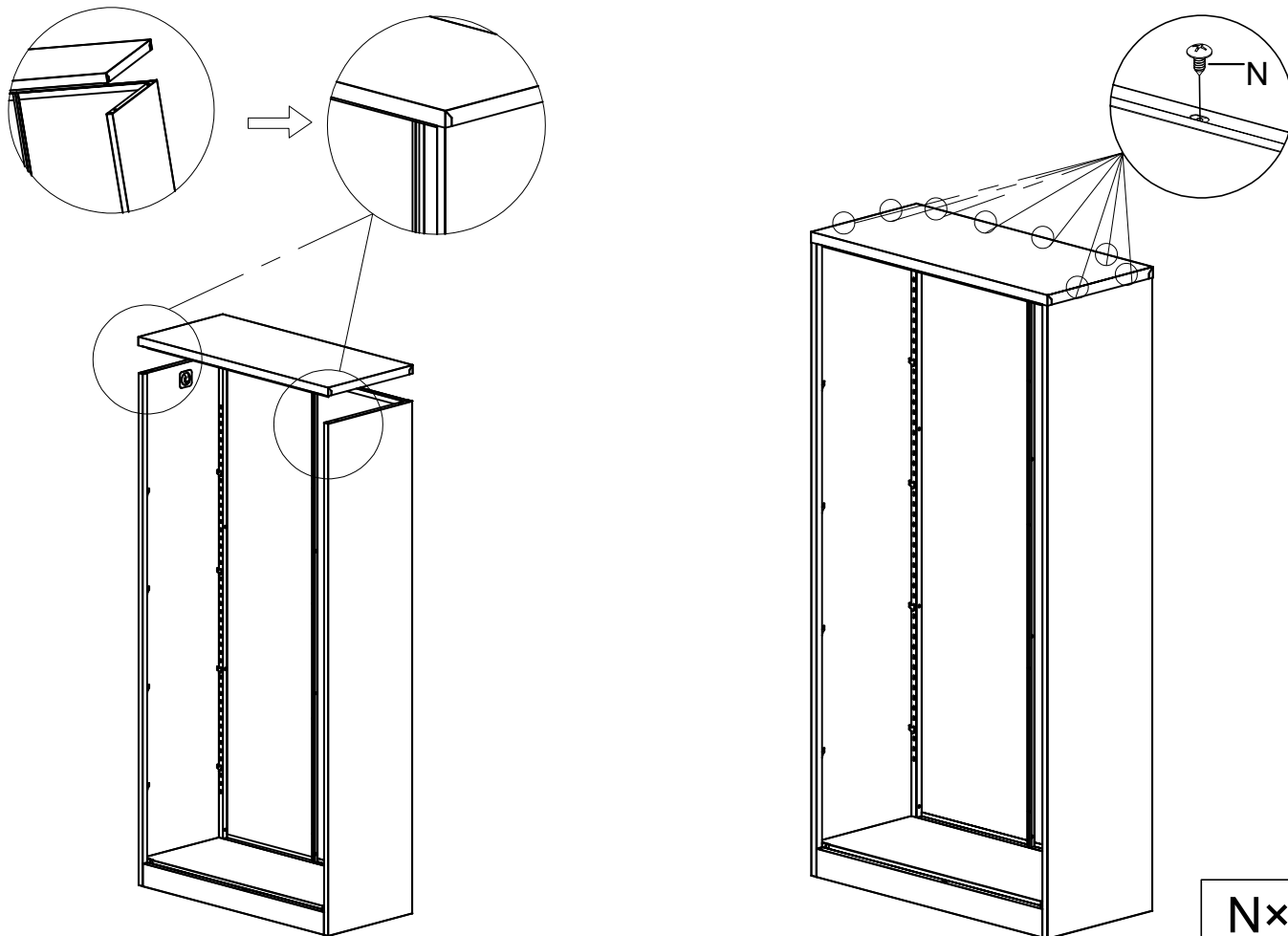


5



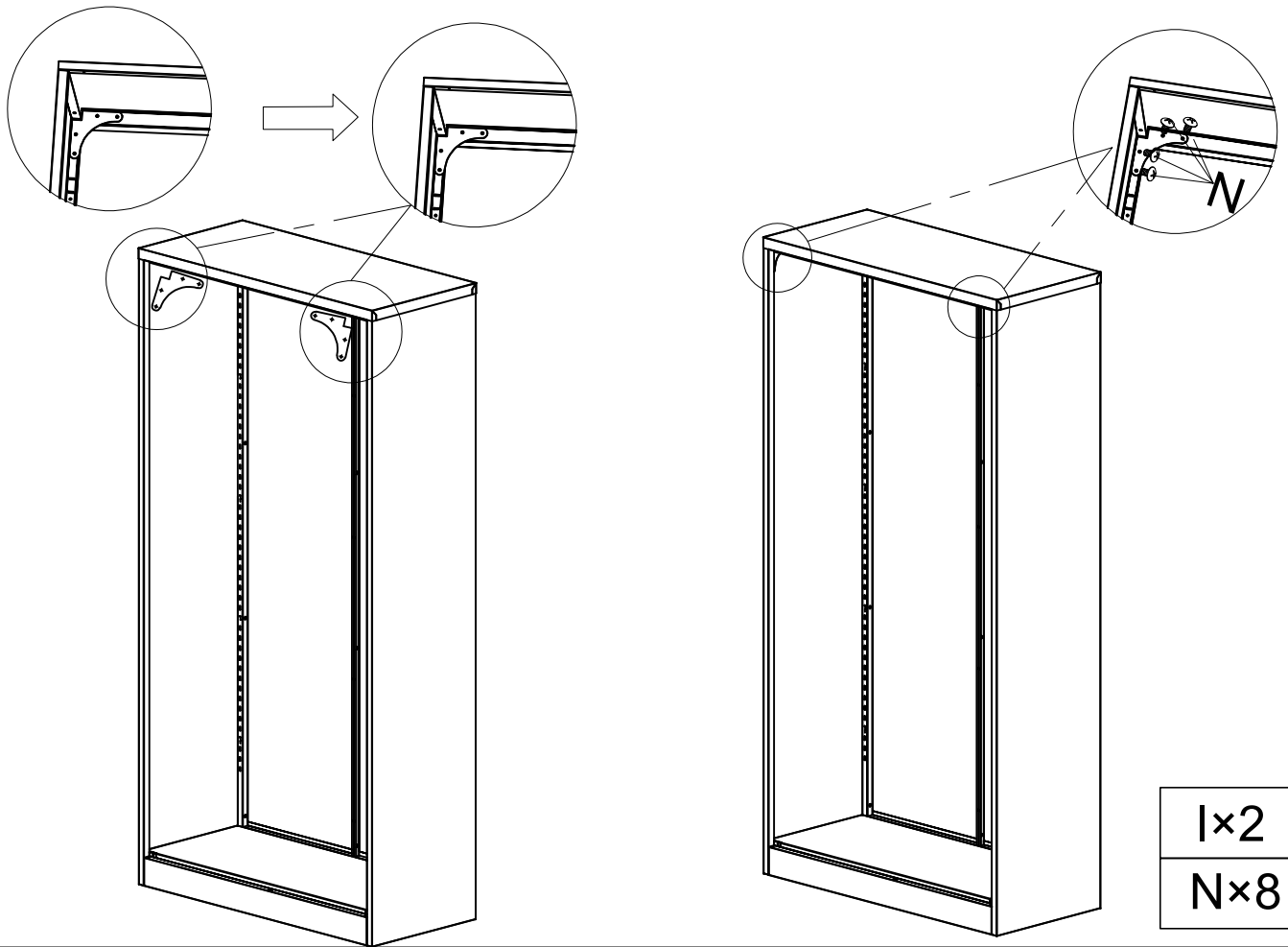
N×4

6



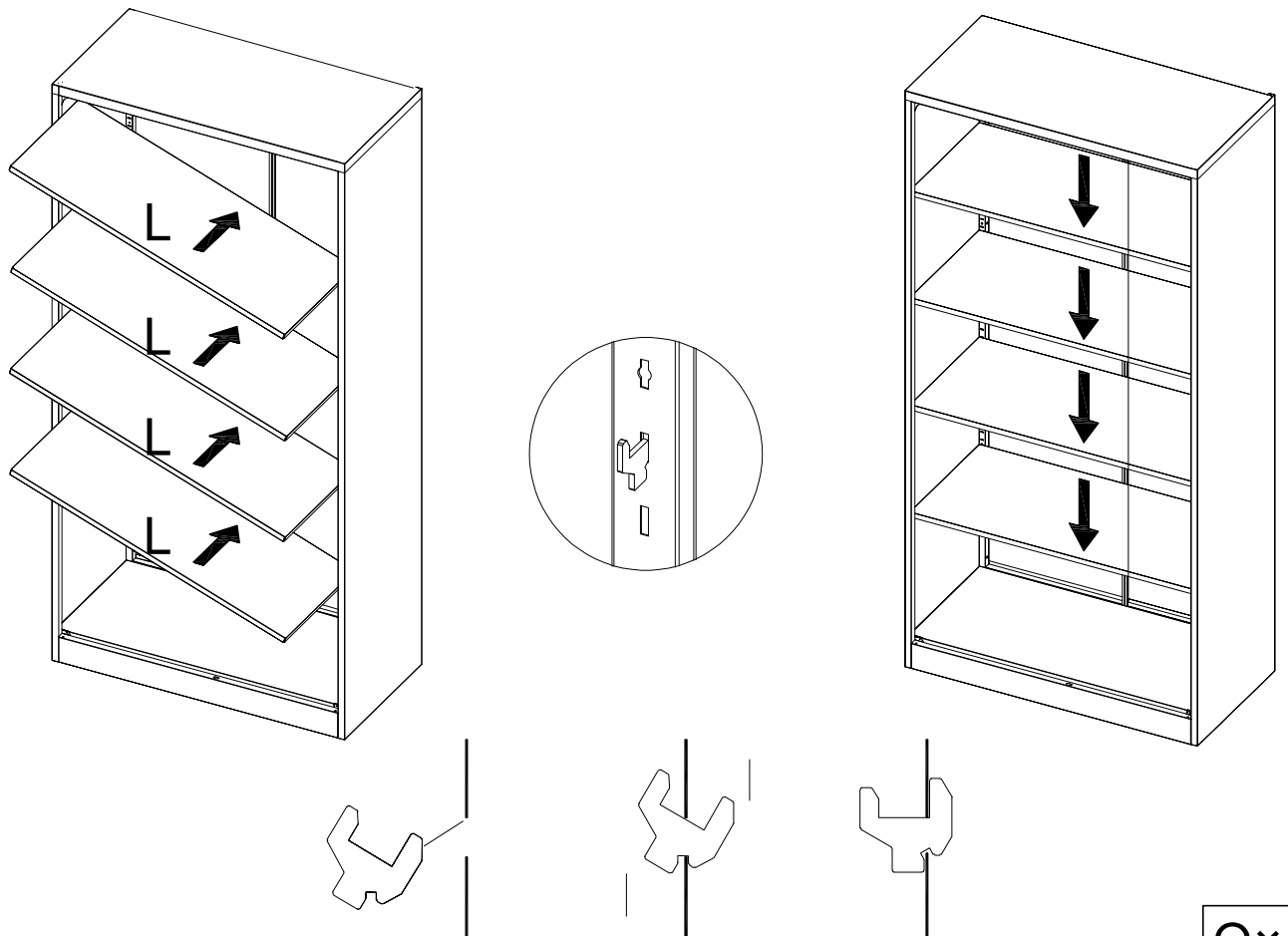
N×8

7



I×2
N×8

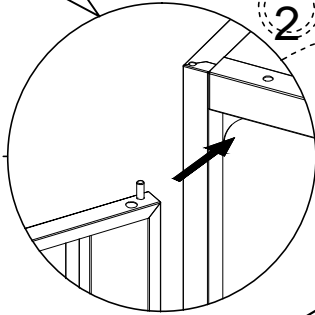
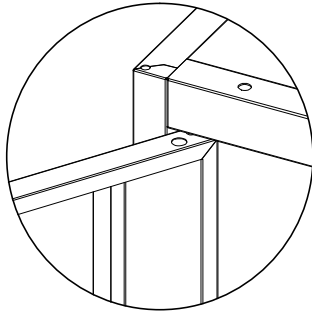
8



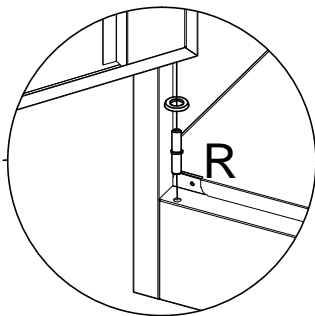
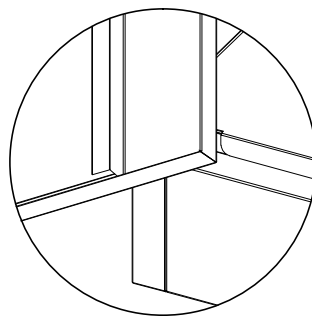
Q×16

9

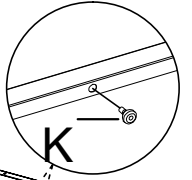
If the spring shaft is lost, spare parts U can be used.



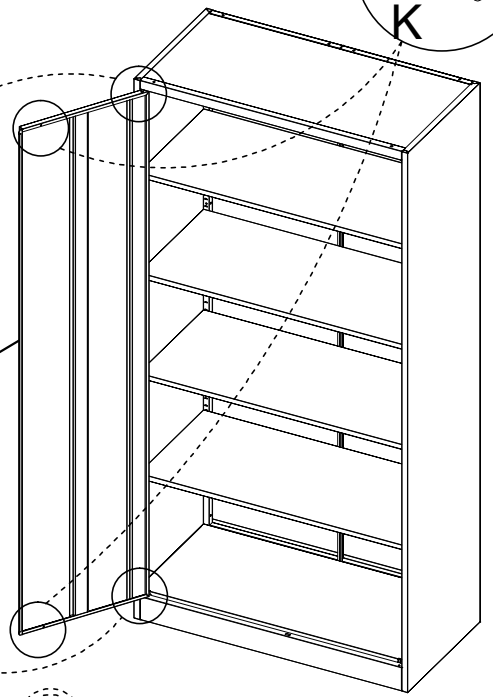
F



1



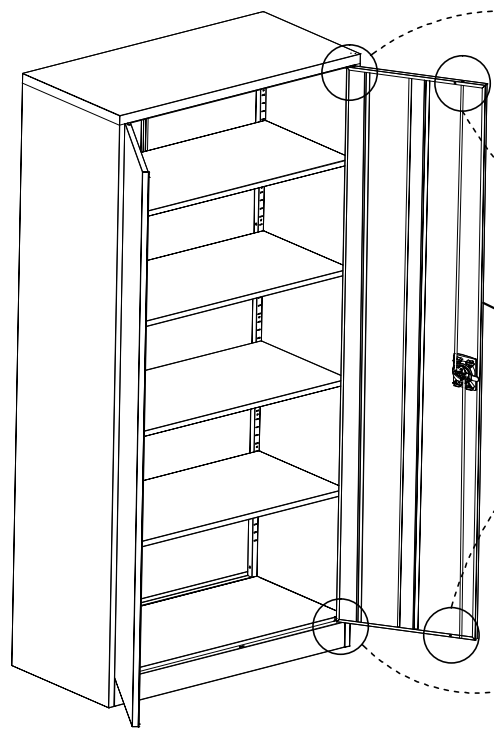
K



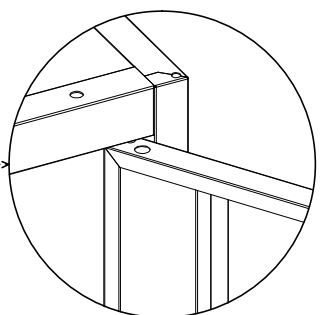
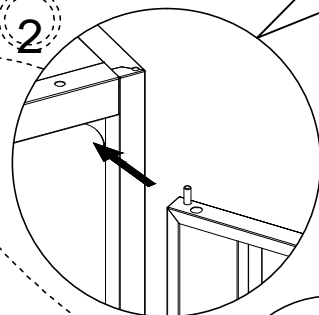
R×1 K×2

10

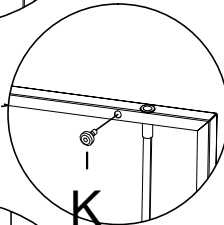
If the spring shaft is lost, spare parts U can be used.



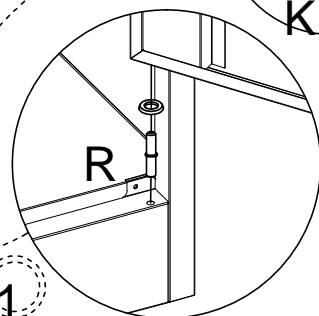
2



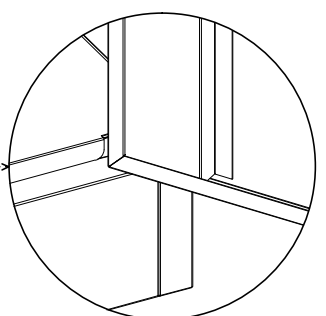
E



K



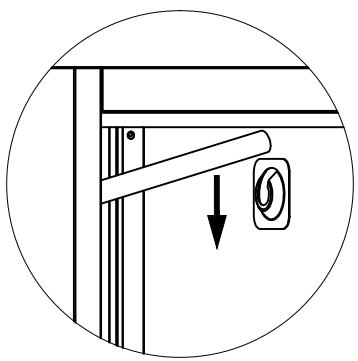
R



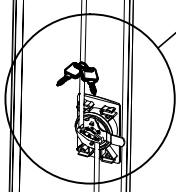
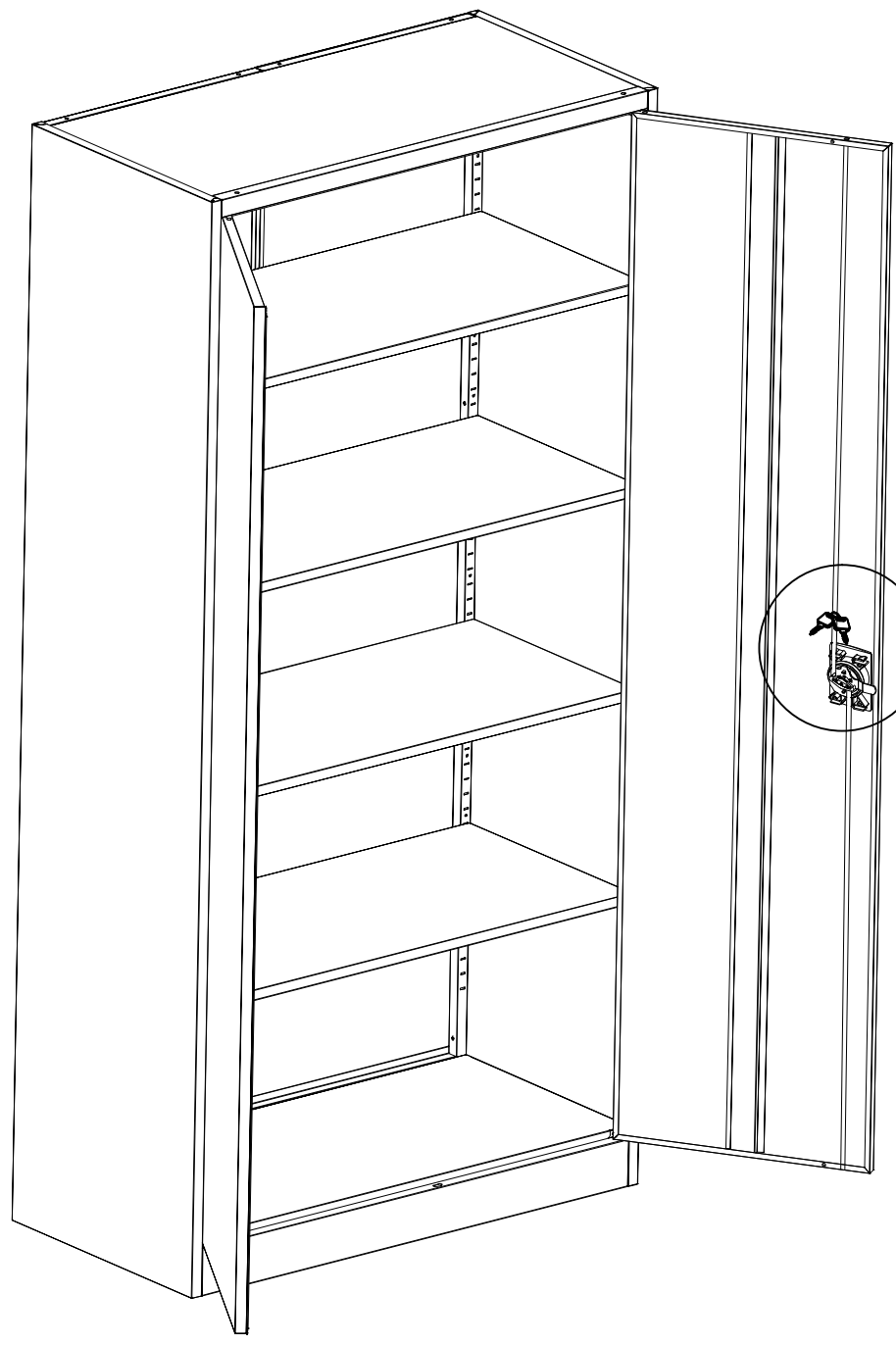
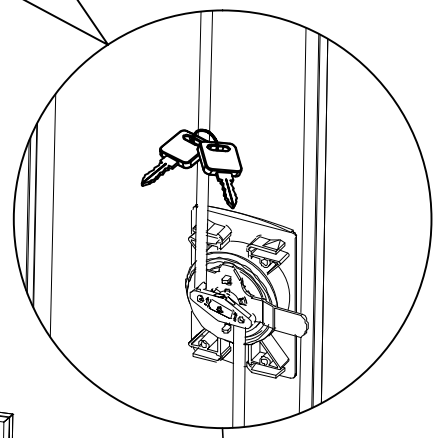
1

R×1 K×2

11

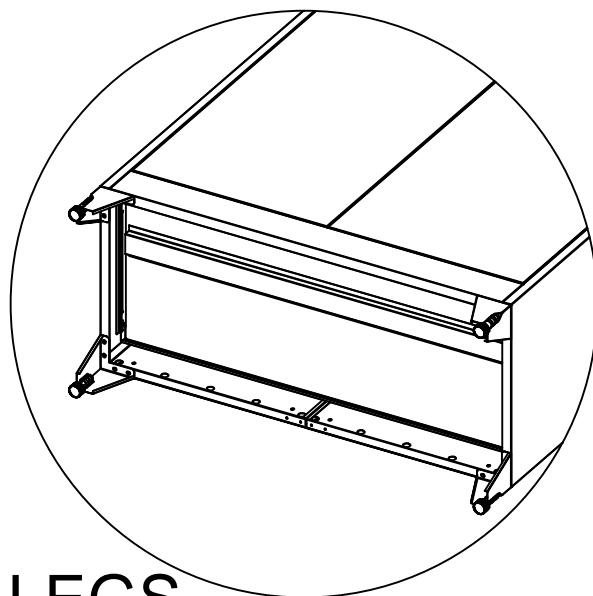
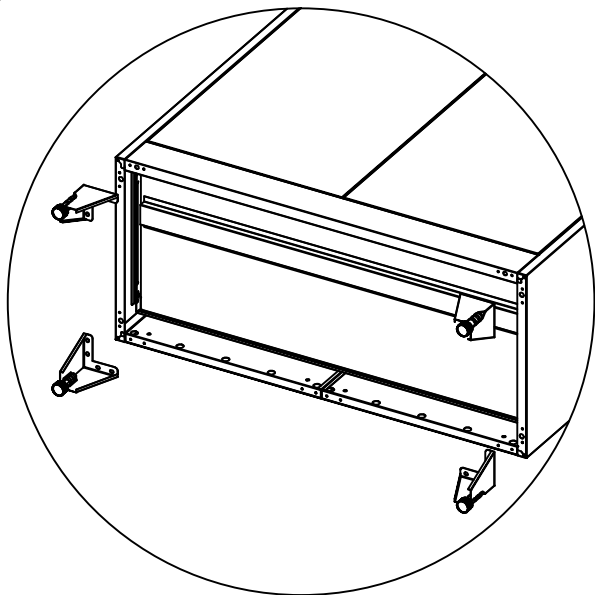


The key is here

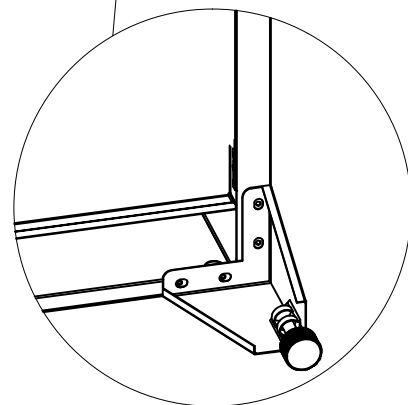
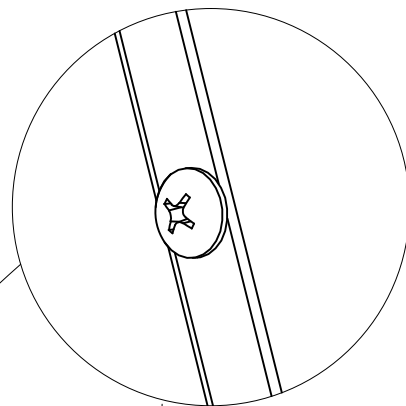
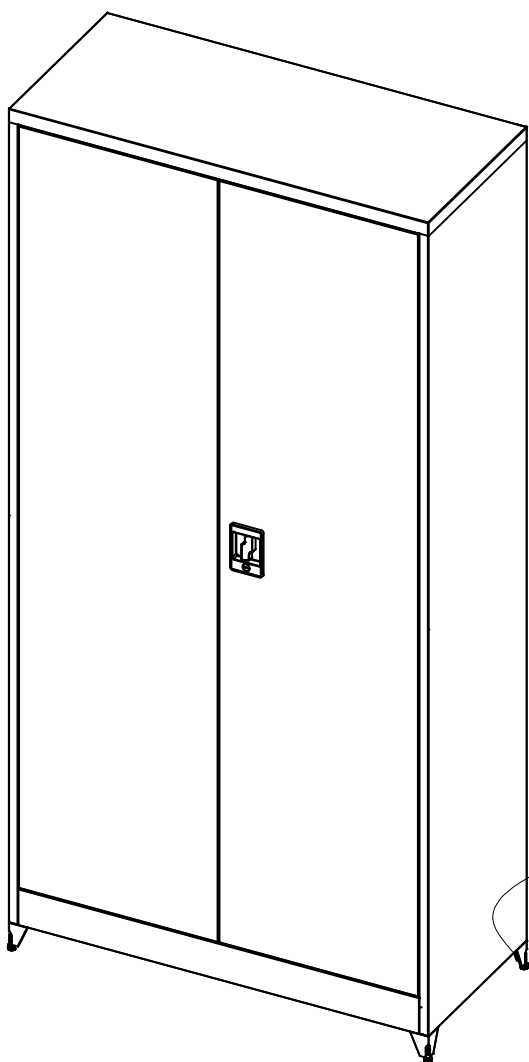


T×1

12



OPTIONAL FOR THE LEGS



S × 4 | N × 16