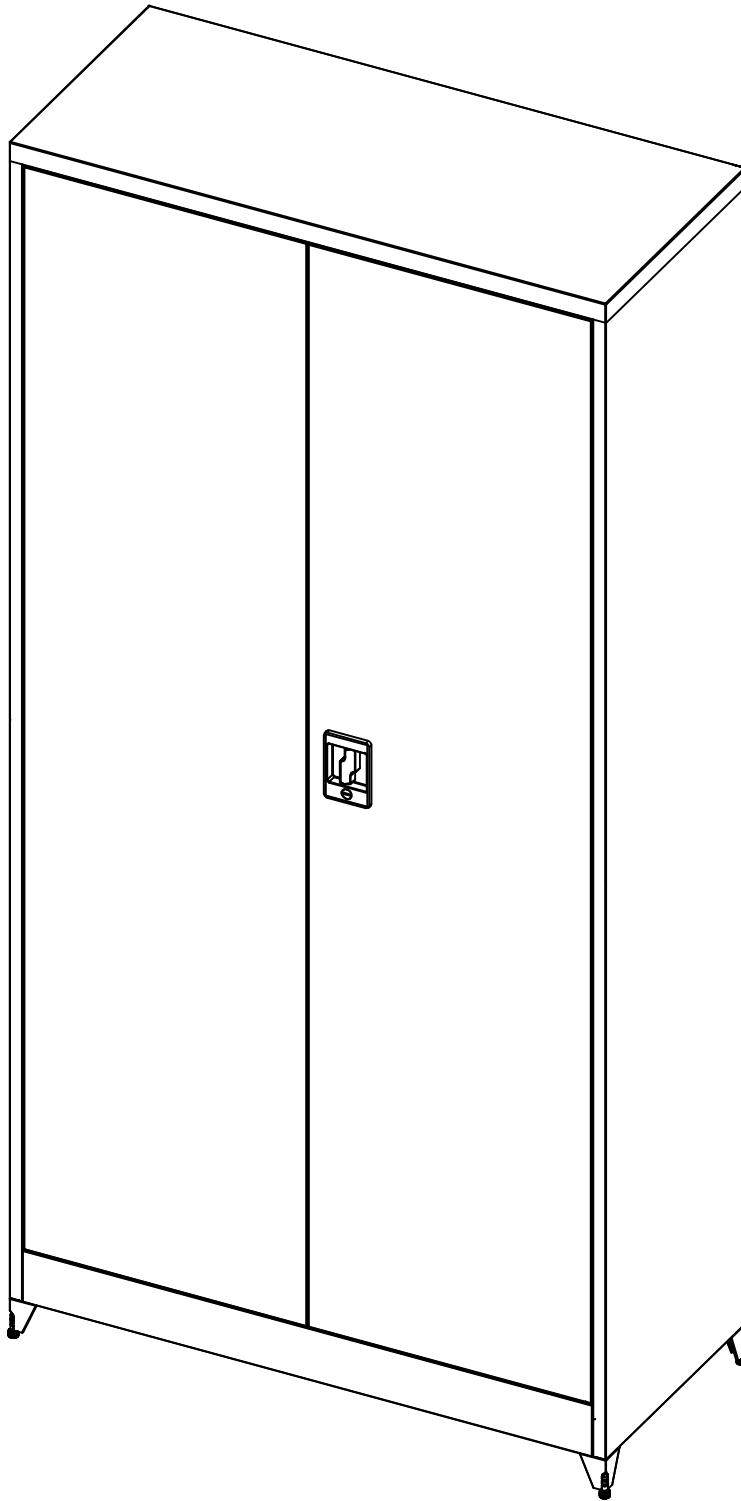


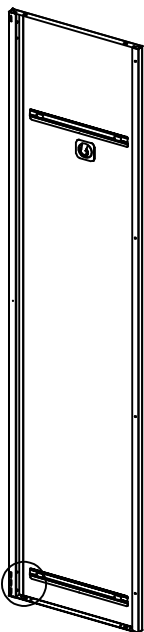
Manual for
452.07053
452.07058
452.04053
452.04058



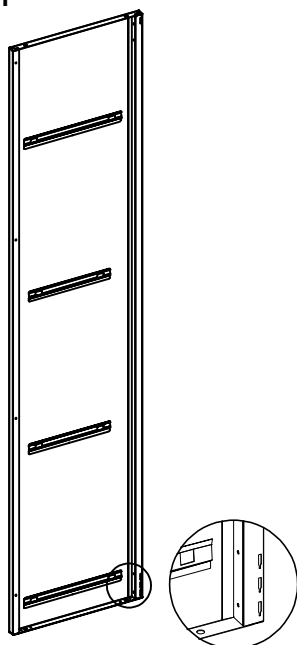
Tips:

1. Avoid bumping and destroying the surface layer when using.
2. Avoid violent opening and closing of doors or drawers.
3. Wipe with a soft cotton (dip with water if necessary), and do not use acid or alkaline detergents for cleaning.

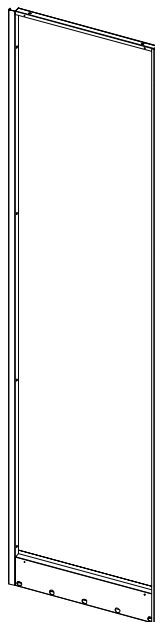
Ax1



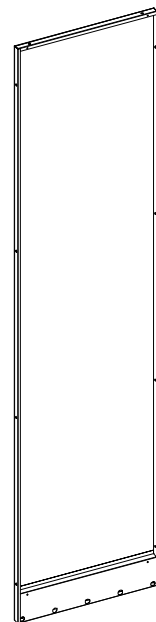
Bx1



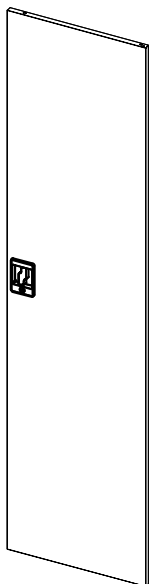
Cx1



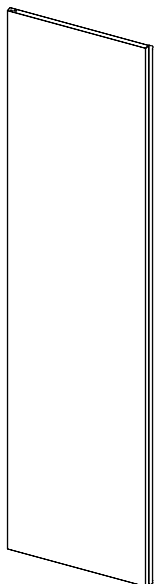
Dx1



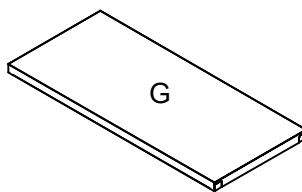
Ex1



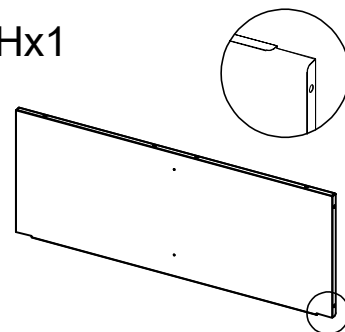
Fx1



Gx1



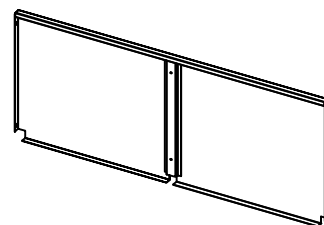
Hx1



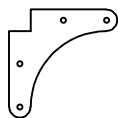
Kx1



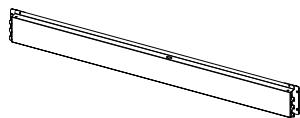
Lx1



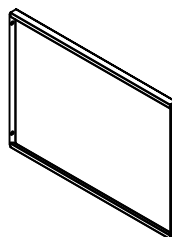
Ix2



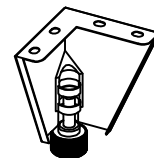
Jx1



Mx2



Sx4



Nx56



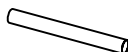
Ox4



Px4



Qx1



Rx2



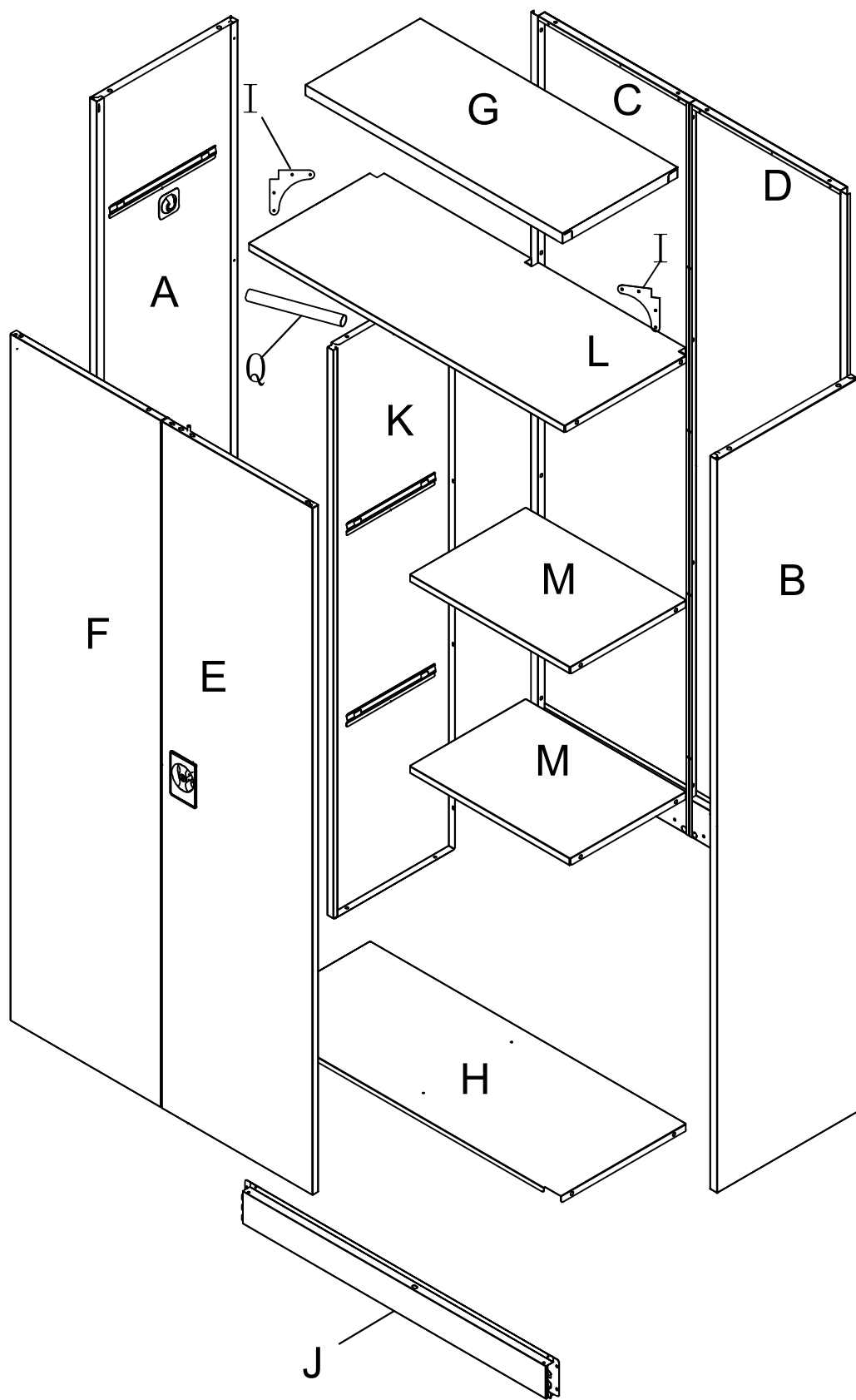
Tx4



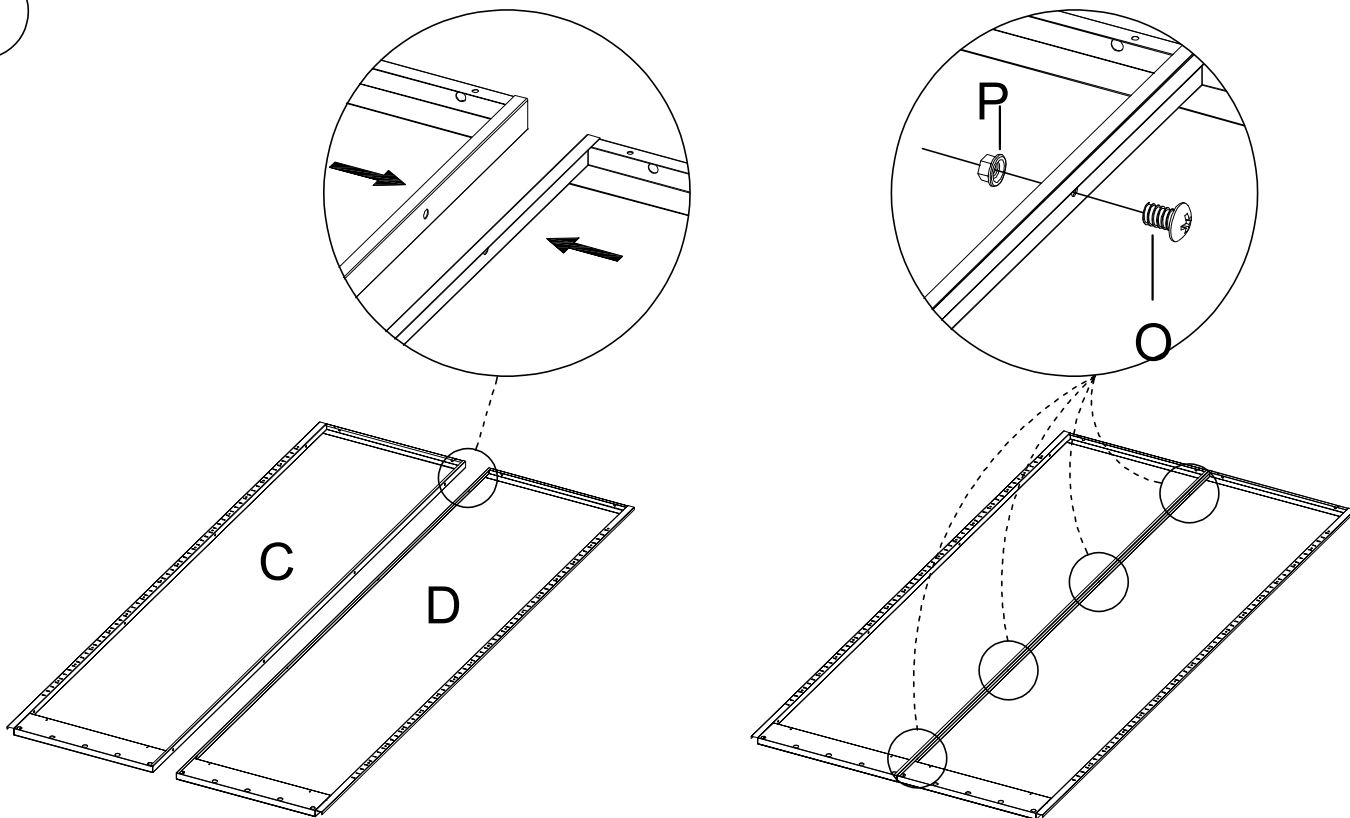
Ux2

Standby Application





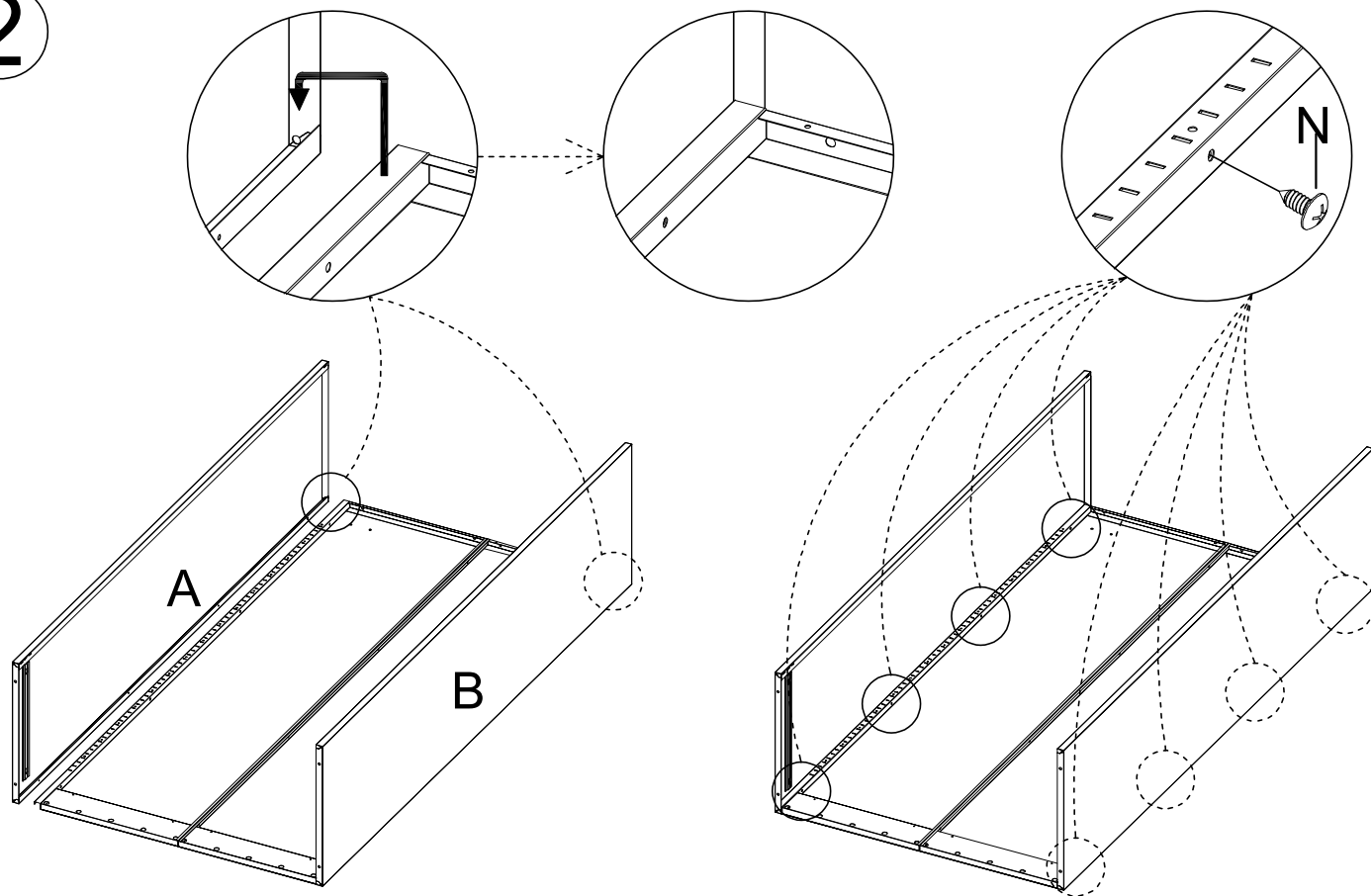
1



Px4

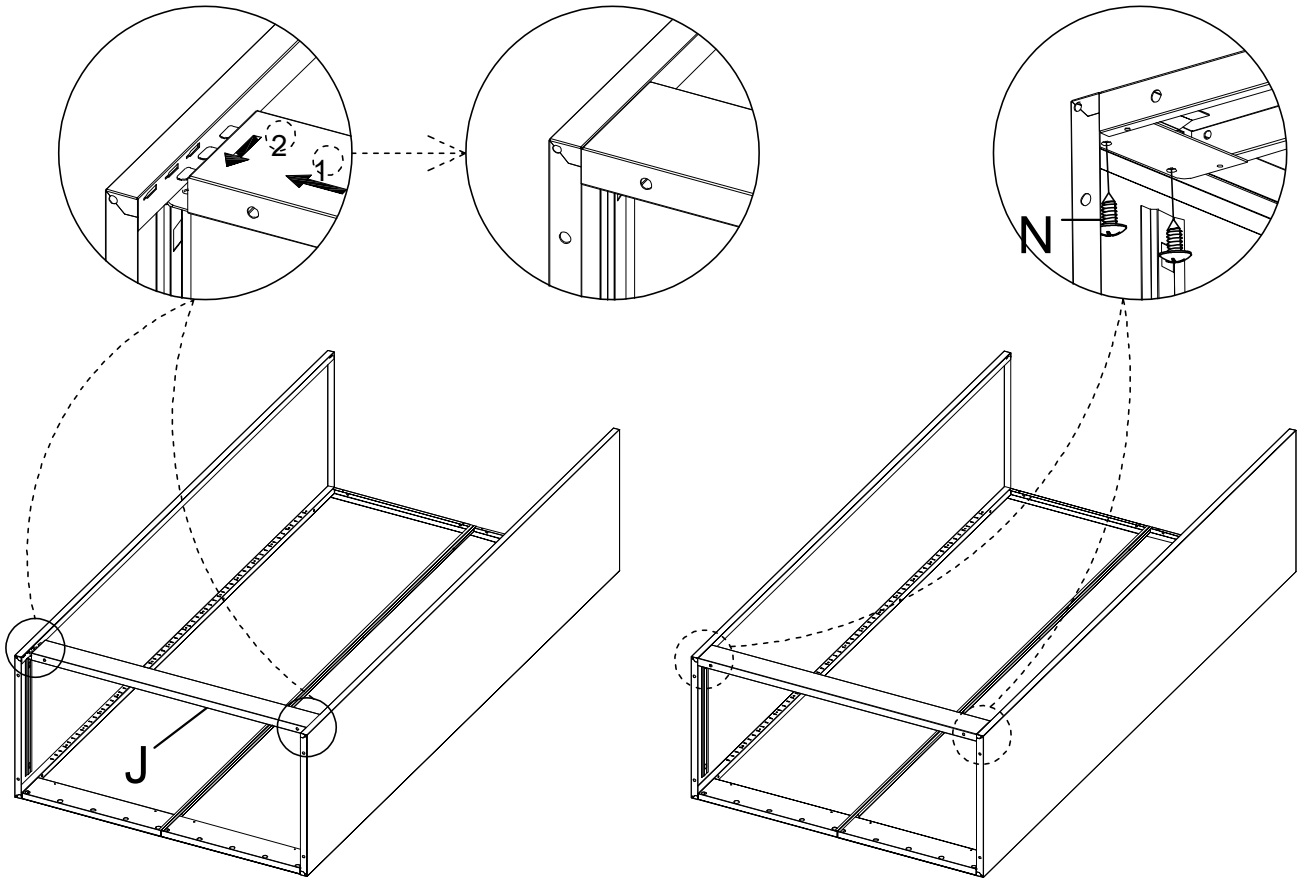
Ox4

2



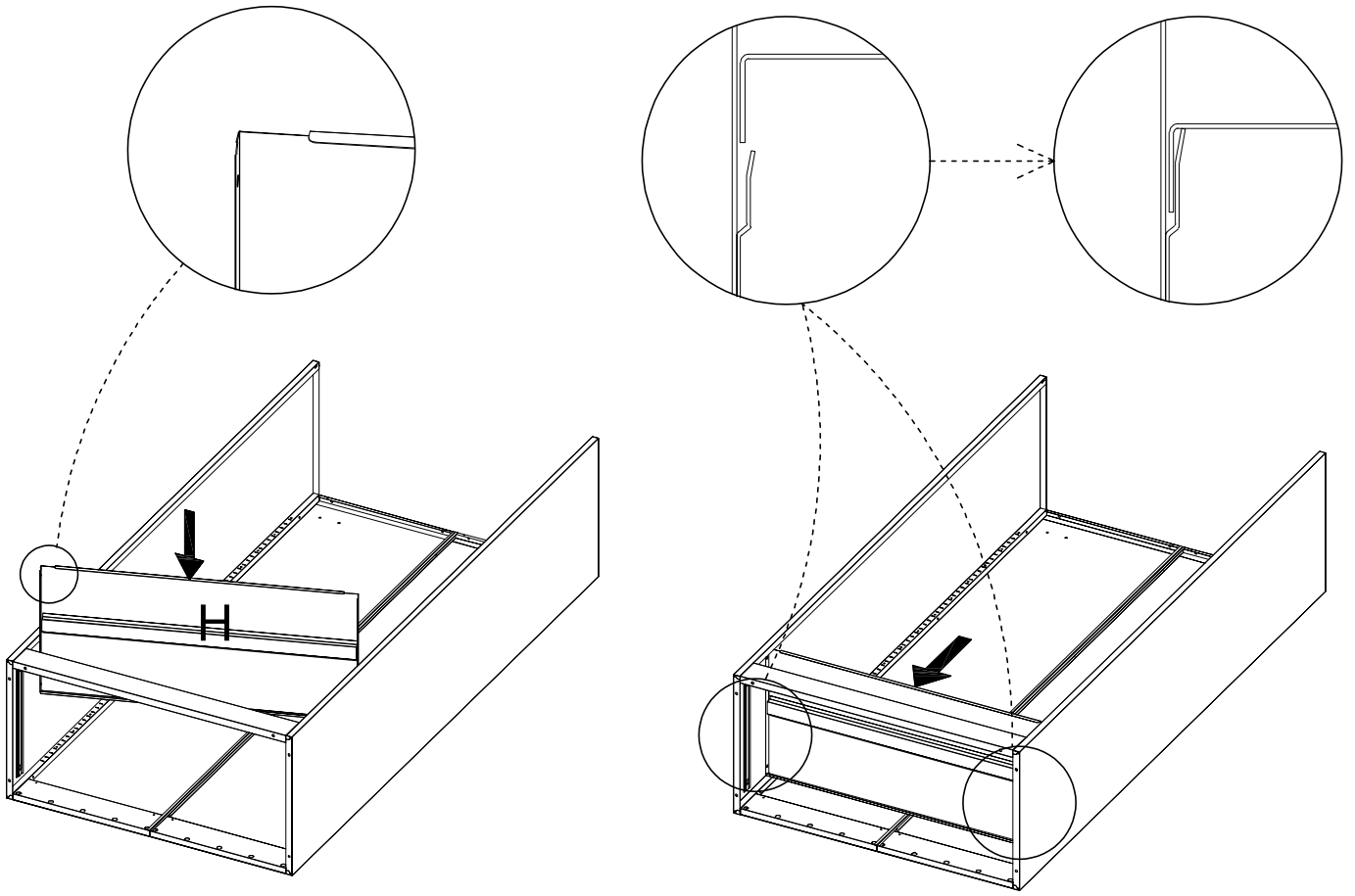
Nx8

3

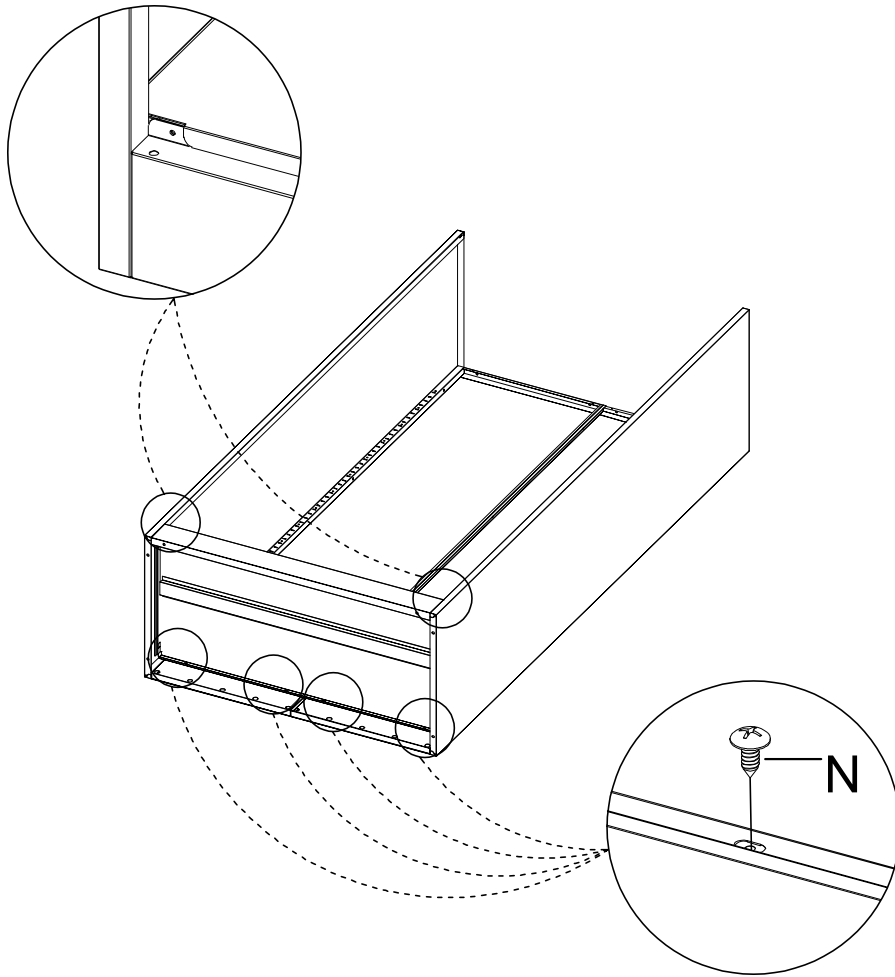


Nx4

4

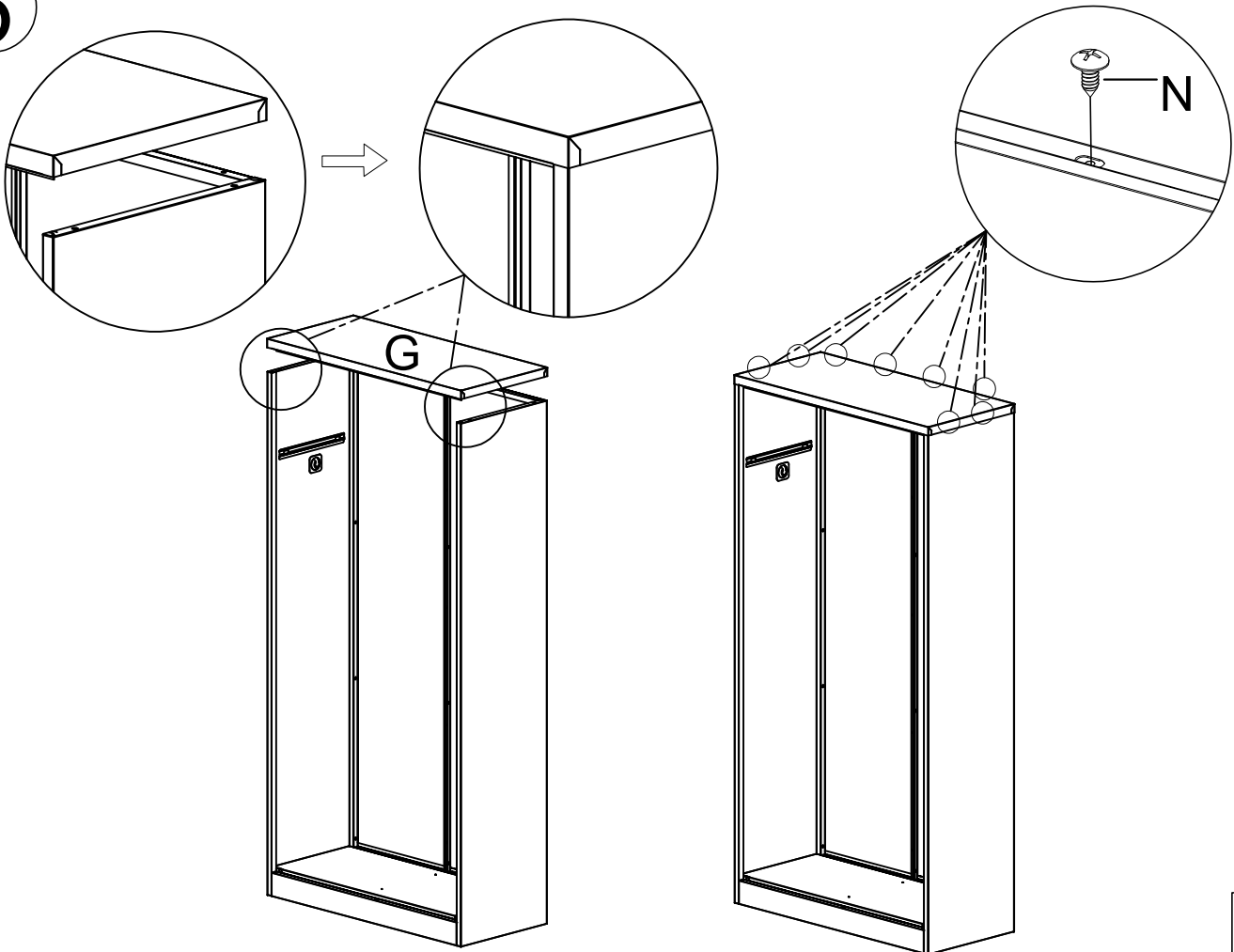


5



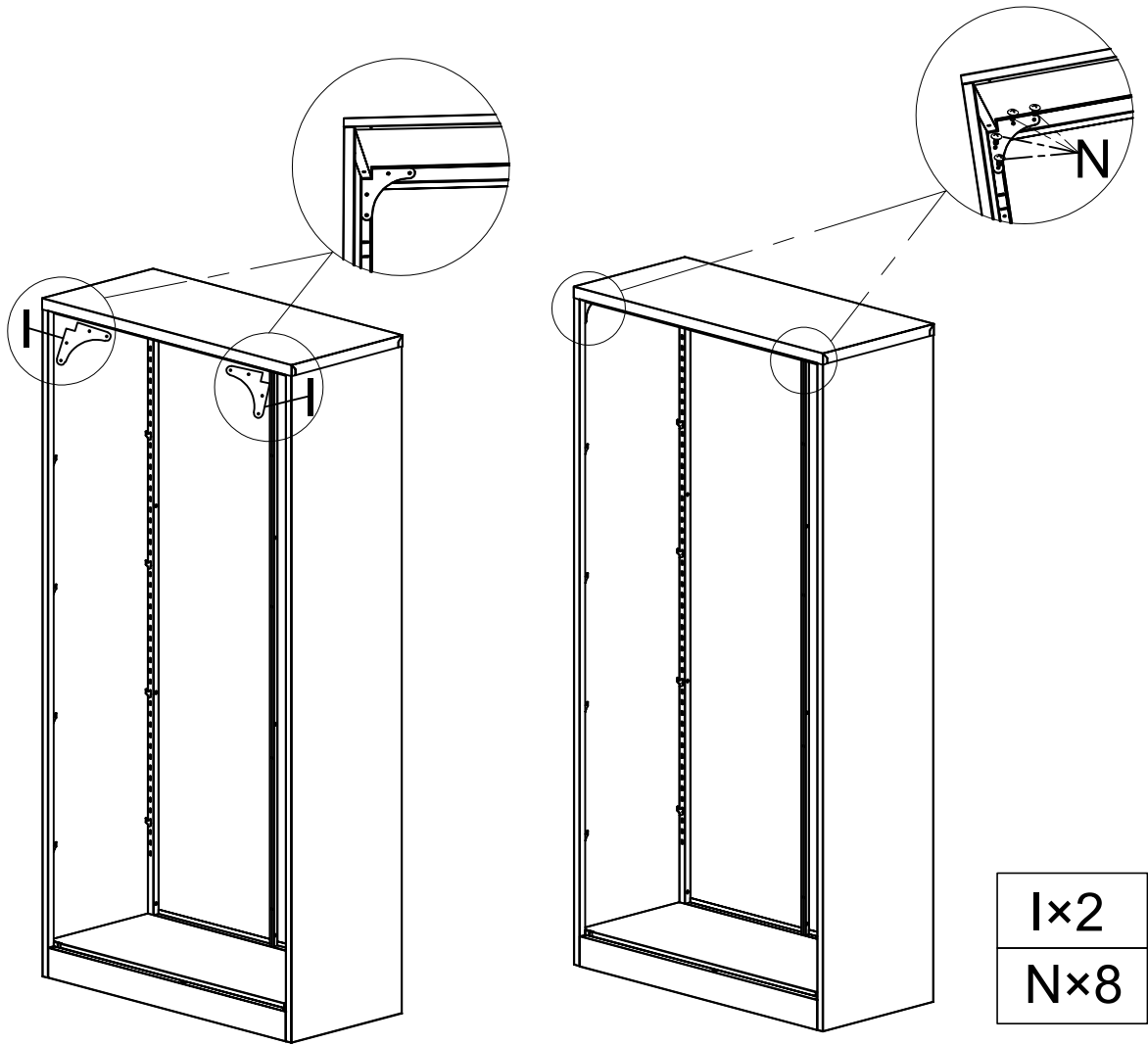
Nx4

6

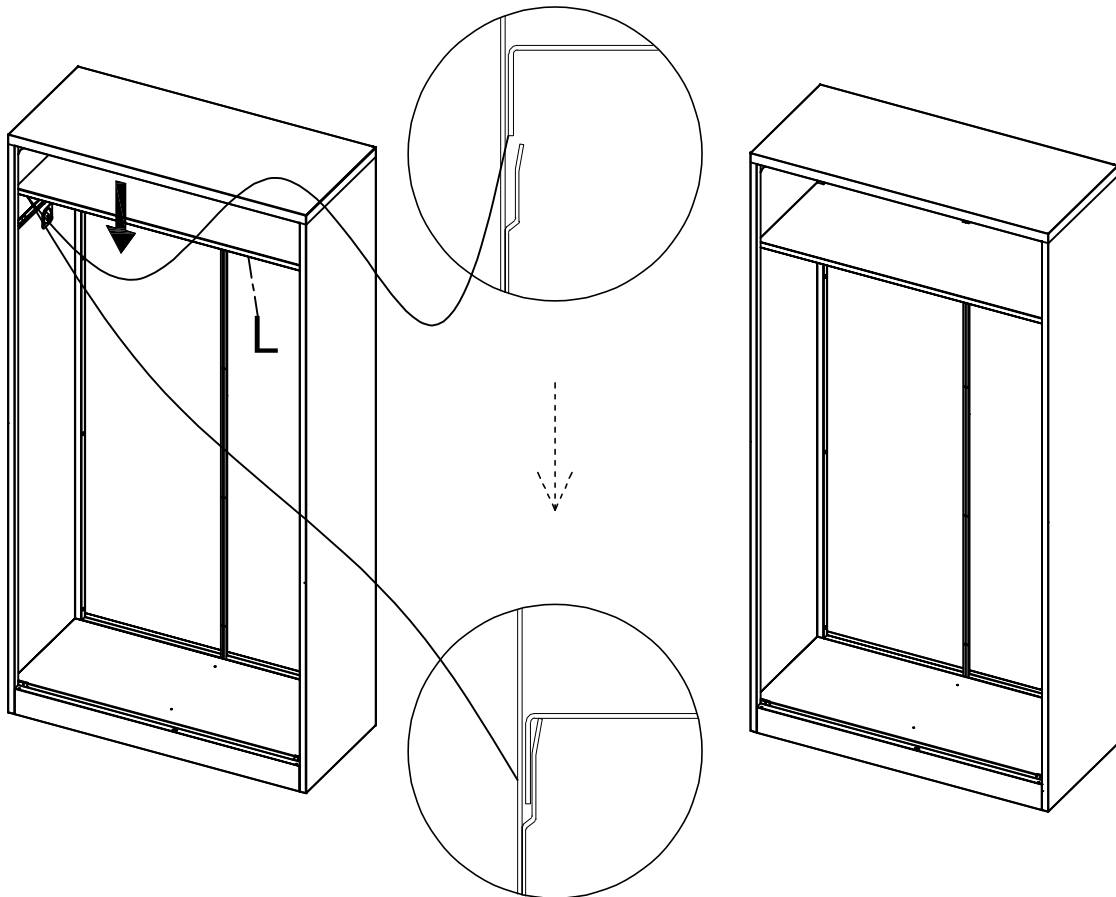


Nx8

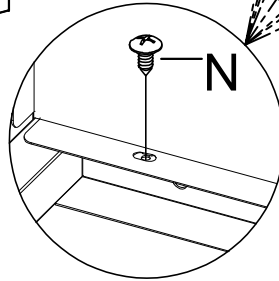
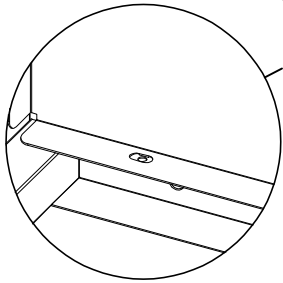
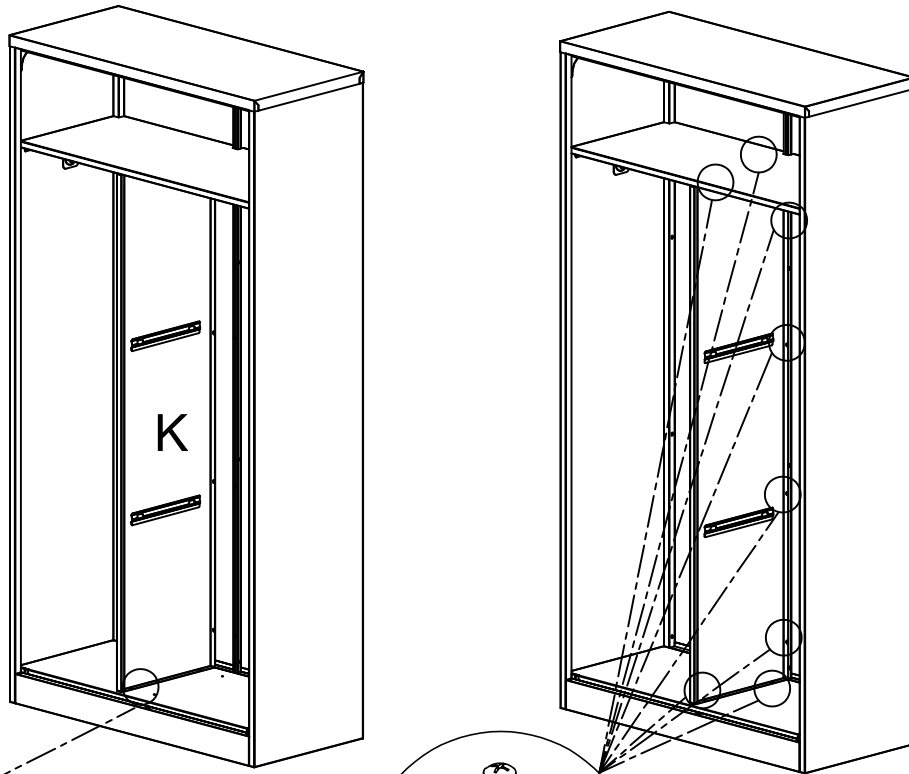
7



8

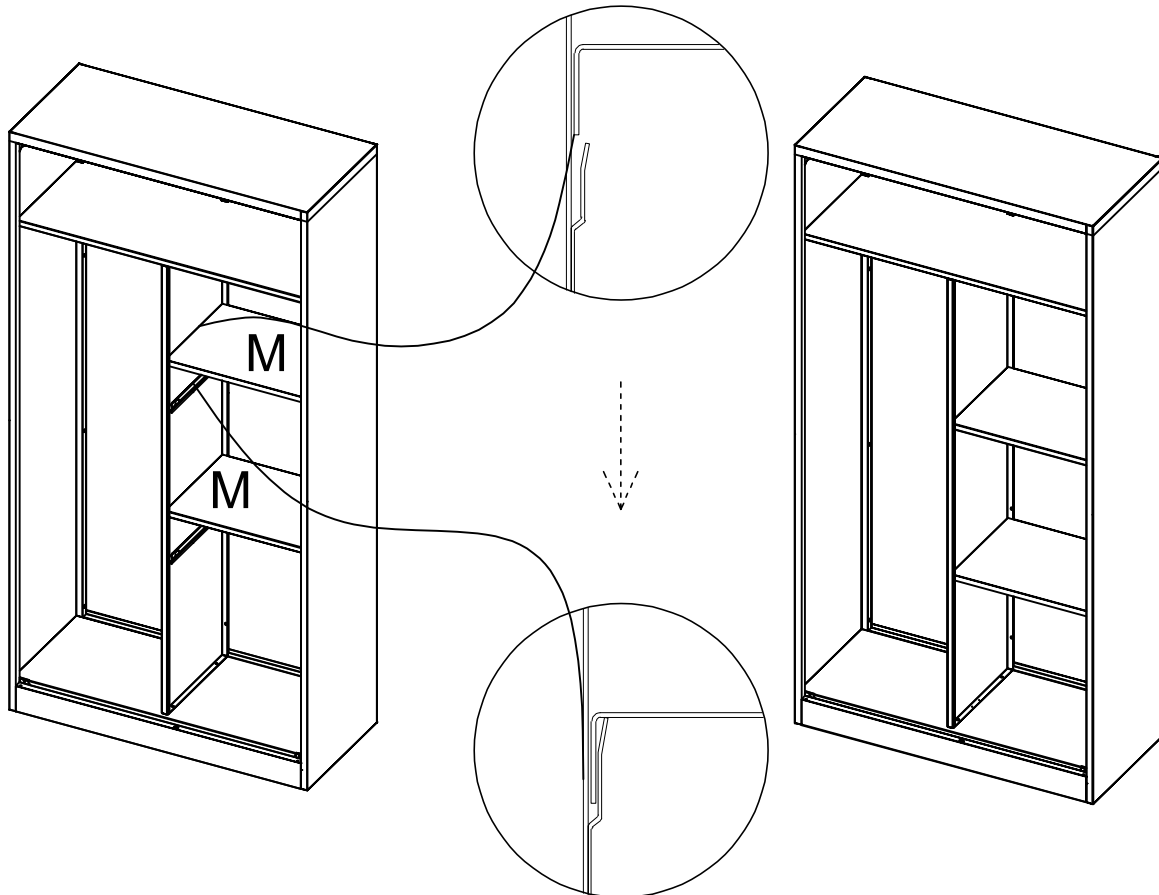


9



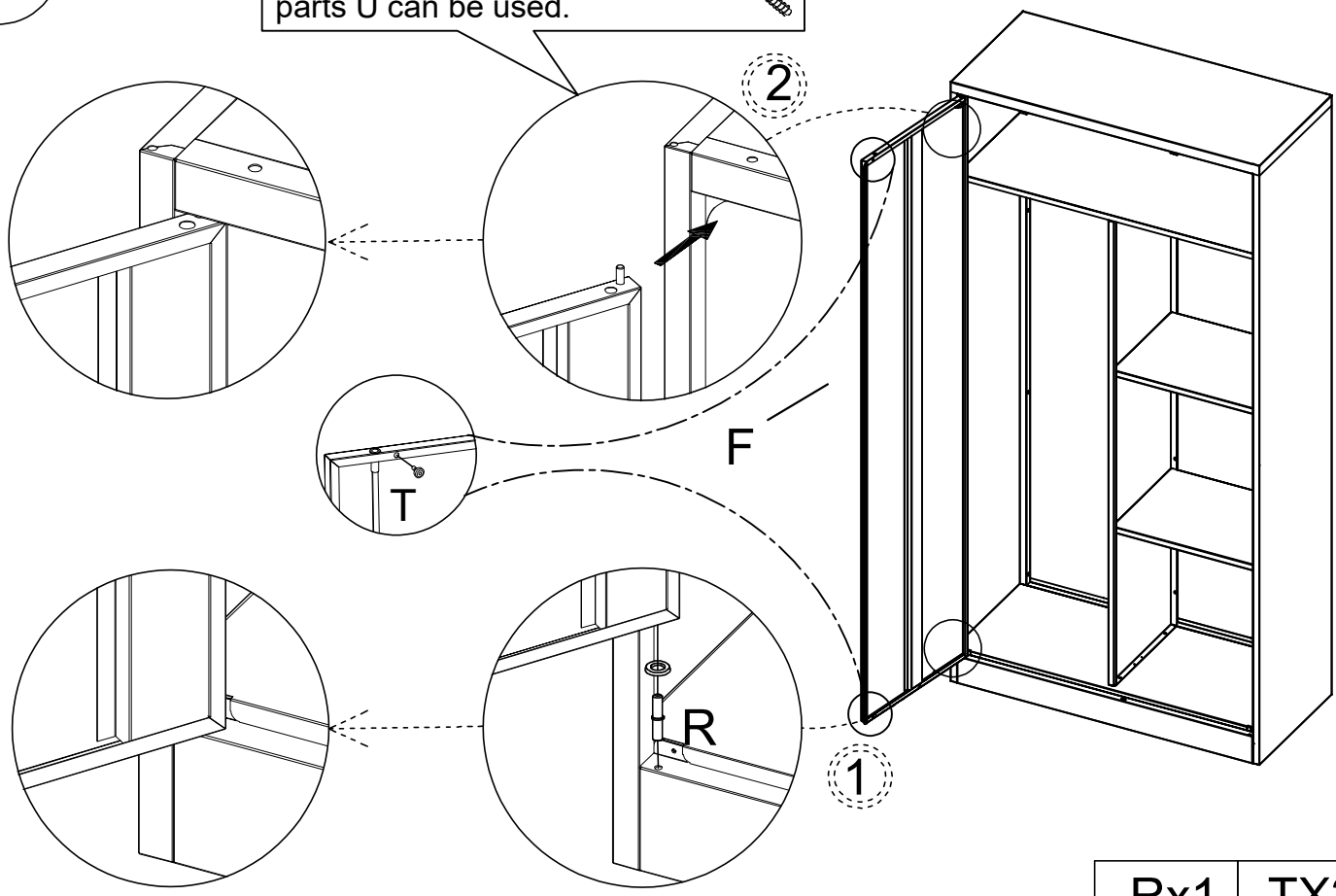
Nx8

10



11

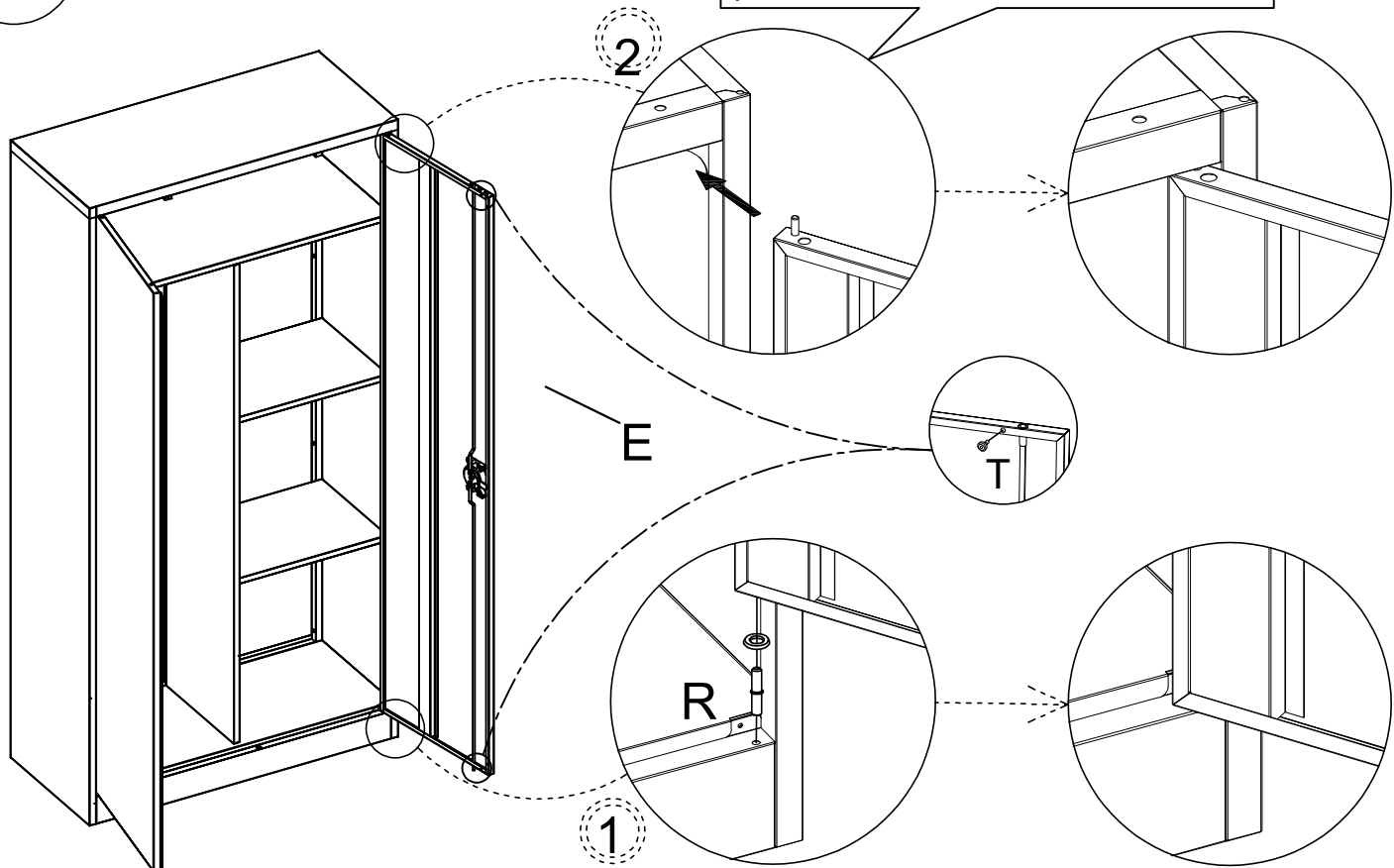
If the spring shaft is lost, spare parts U can be used.



Rx1	TX2
-----	-----

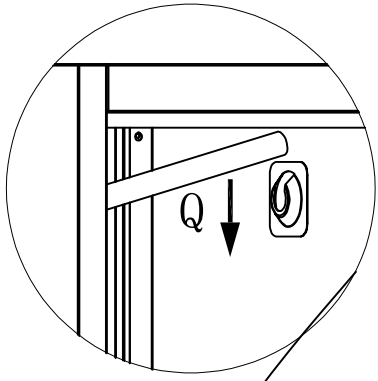
12

If the spring shaft is lost, spare parts U can be used.

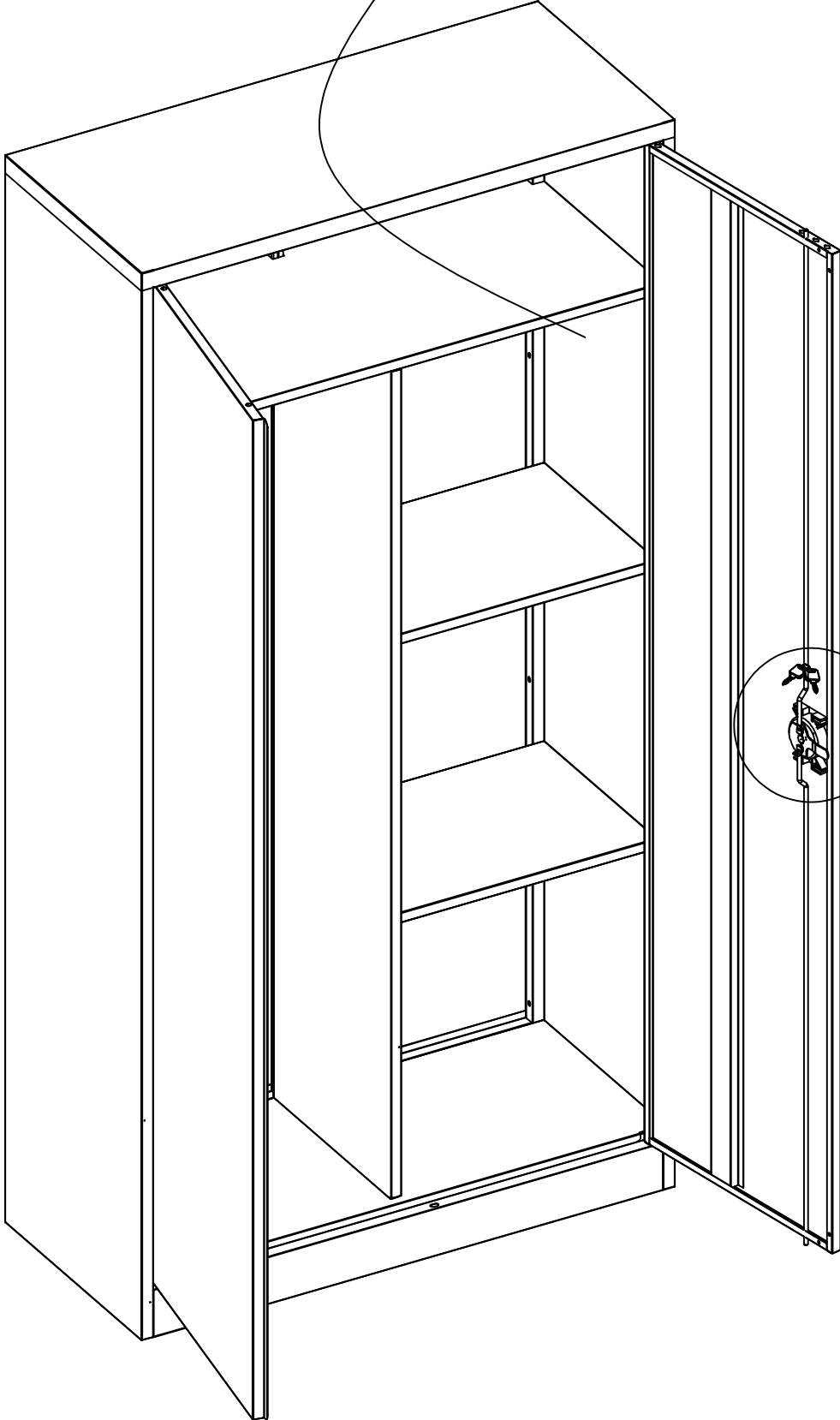
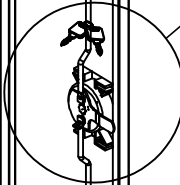
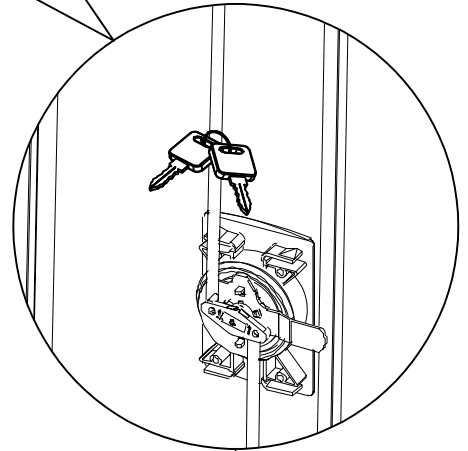


Rx1	TX2
-----	-----

13

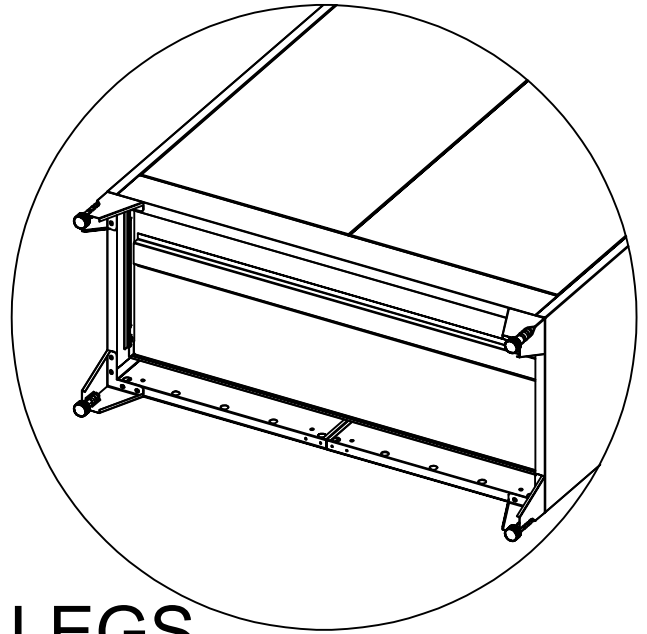
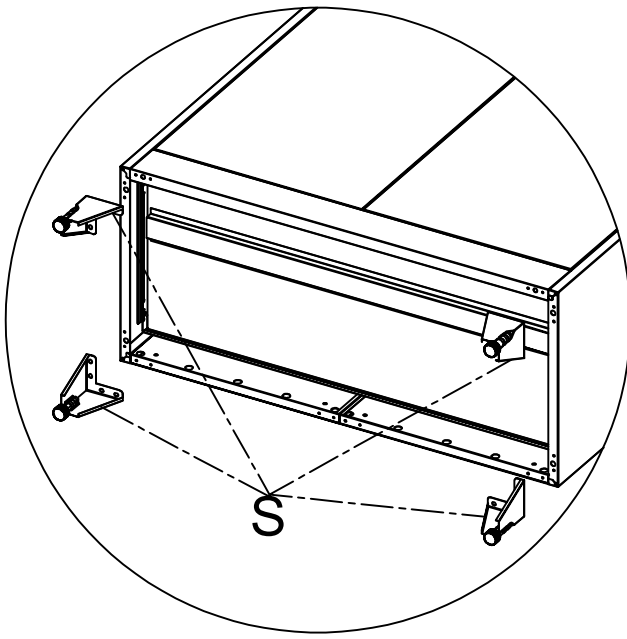


The key is here

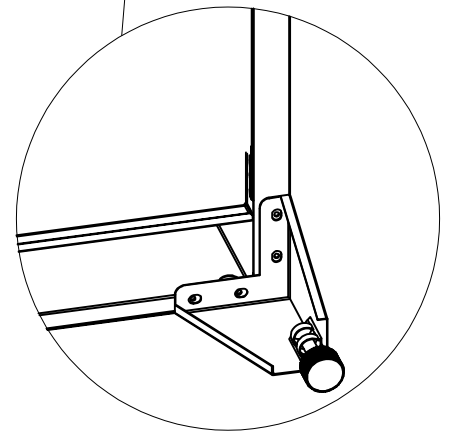
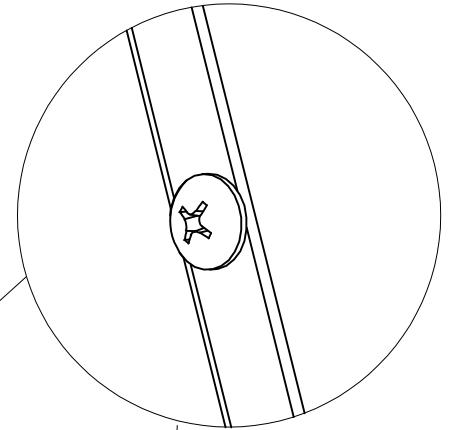
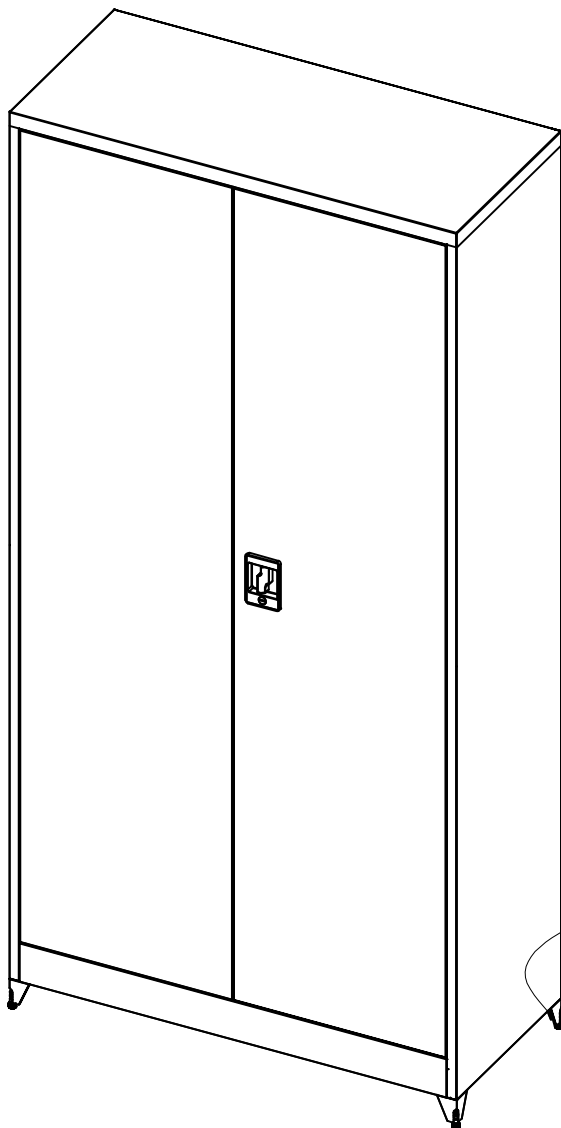


QX1

14



OPTIONAL FOR THE LEGS



SX4	NX16
-----	------