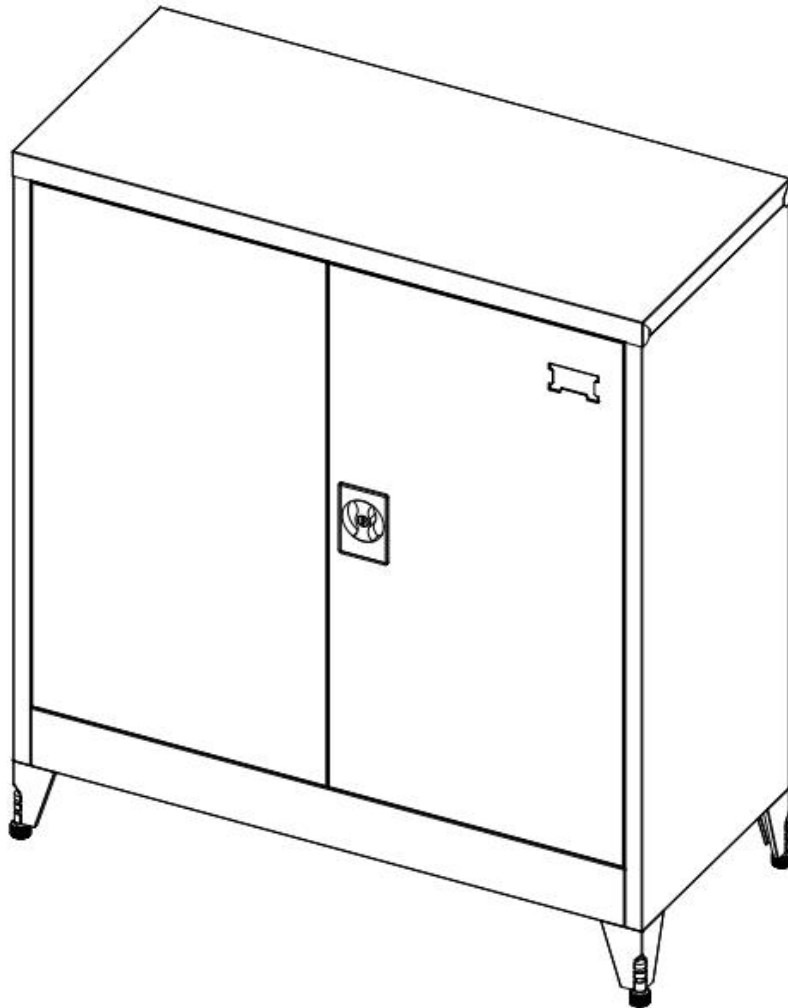


# Metal Wardrobe

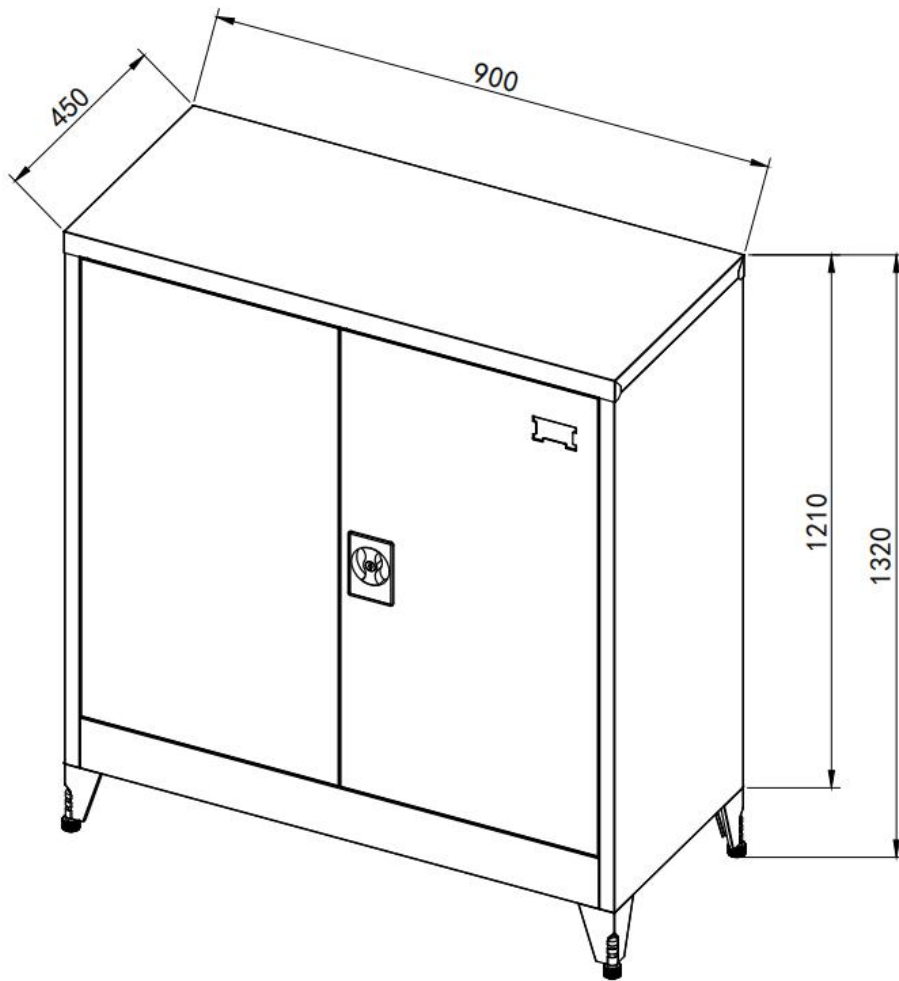
---

Owner's Manual/  
Instruction for Assembly Model:452.013



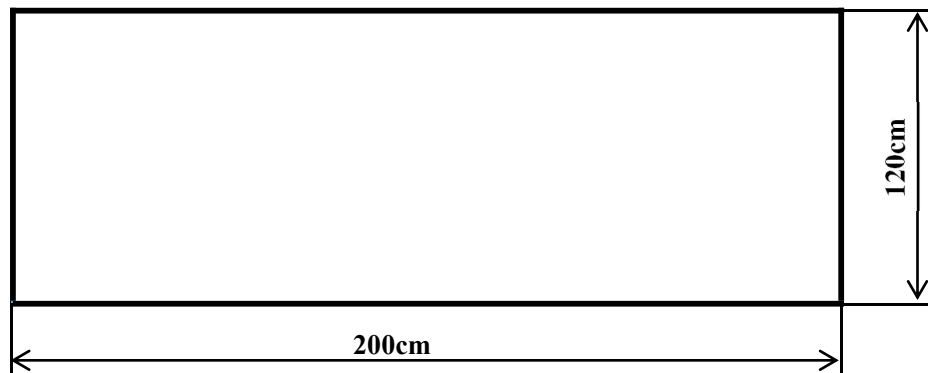
 apothiki365.gr

Size of Model:452.013

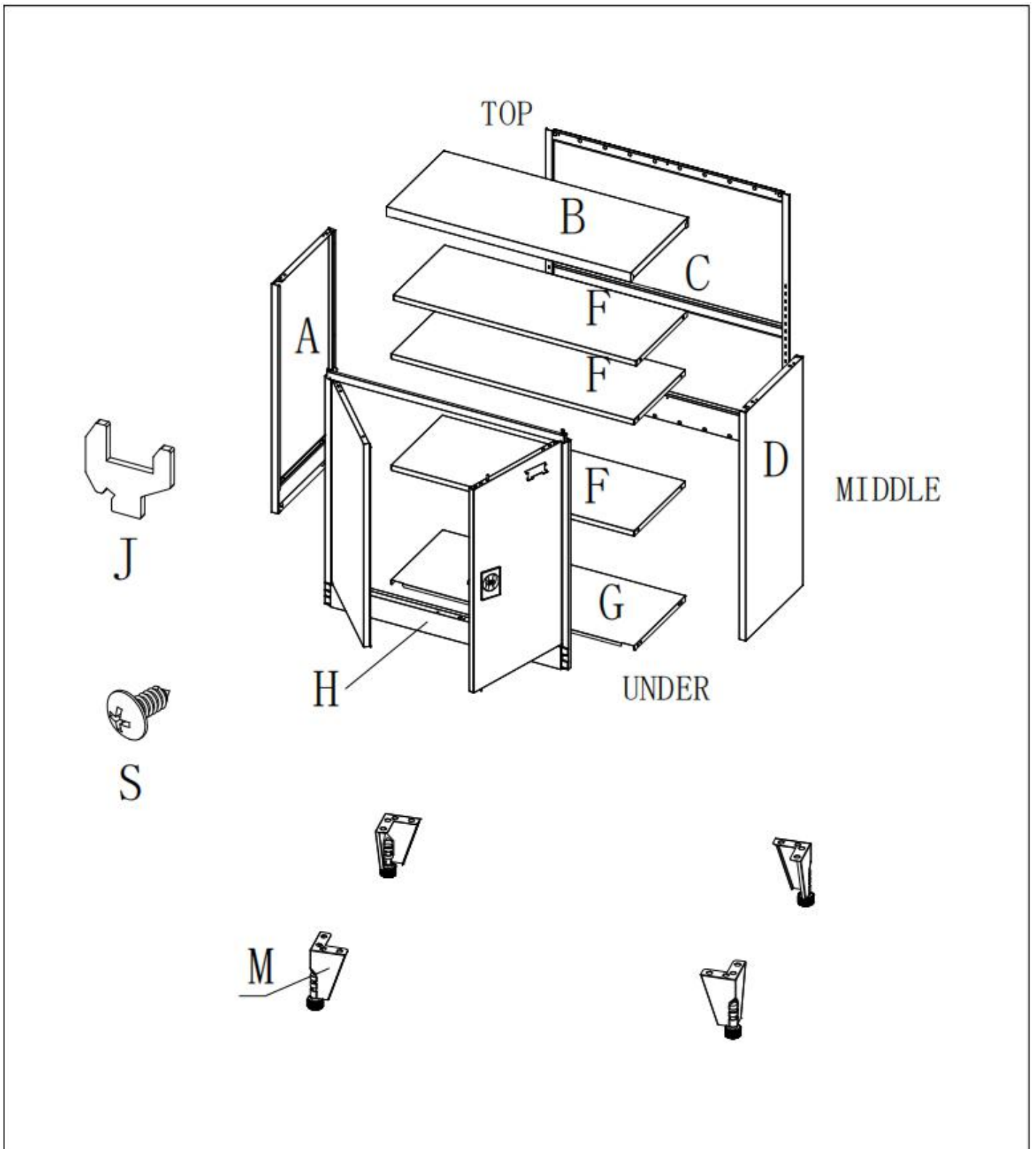


---



Area of installation requirement:



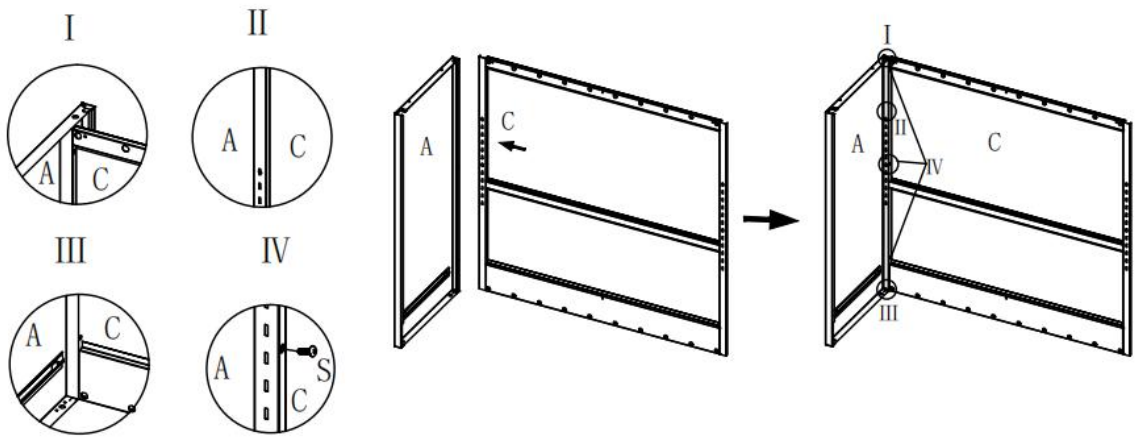
# Explosive View:



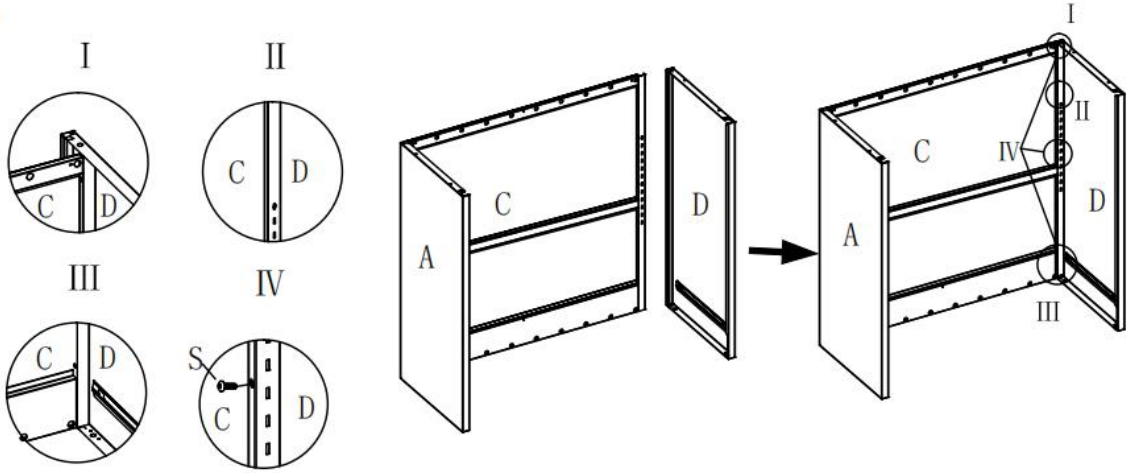
## Bill of Material:

No.	Size(mm)	Quantity(pc)
TOP		
B	451.5*902	x1
MIDDLE		
A	450*1180	x1
D	450*1180	x1
C	1178*898	x1
H	1178*898	x1
F	409*897	x3
UNDER		
G	414*897	x1
M	60*60*110	x4
ANNEX		
J		x12
S		x27

1.



2.



3.

